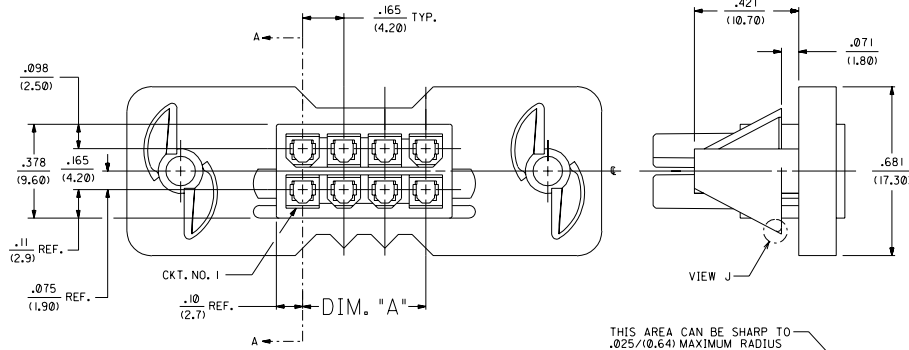
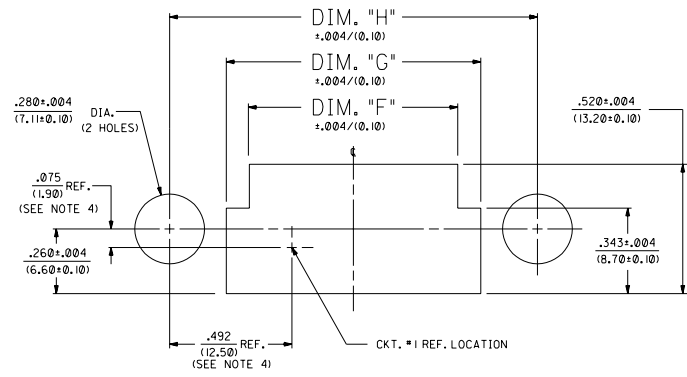
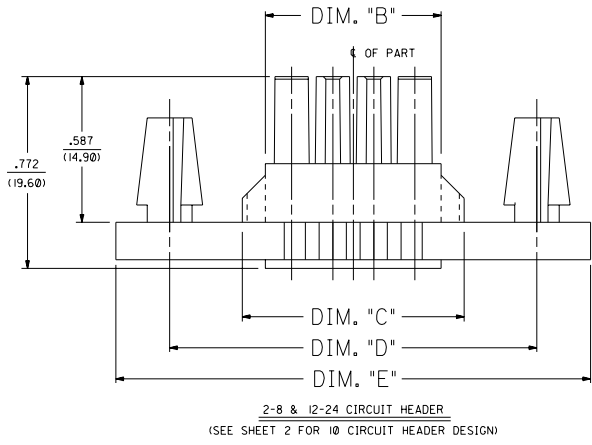
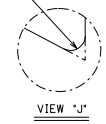


SECTION "A-A"
TERMINAL ORIENTATION



THIS AREA CAN BE SHARP TO
.025/(0.64) MAXIMUM RADIUS



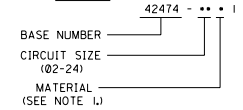
RECOMMENDED PANEL CUT-OUT FOR .050±.012/(1.27±0.30) THICK PANEL
(SEE NOTE 11)

CKT. SIZE	42474							
	DIM. "A"	DIM. "B"	DIM. "C"	DIM. "D"	DIM. "E"	DIM. "F"	DIM. "G"	DIM. "H"
2	N/A	.213 (5.40)	.398 (10.10)	.984 (25.00)	1.417 (36.00)	.343 (8.70)	.528 (13.40)	.984 (25.00)
4	N/A	.165 (4.20)	.378 (9.60)	.563 (14.30)	1.150 (29.20)	1.583 (40.20)	.503 (12.80)	1.150 (29.20)
6	.331 (8.40)	.543 (13.80)	.728 (18.50)	1.315 (33.40)	1.748 (44.40)	.673 (17.10)	.858 (21.80)	1.315 (33.40)
8	.496 (12.60)	.709 (18.00)	.894 (22.70)	1.480 (37.60)	1.913 (48.60)	.839 (21.30)	1.024 (26.00)	1.480 (37.60)
10	.661 (16.80)	.874 (22.30)	1.059 (26.90)	1.645 (41.80)	2.075 (52.80)	1.004 (25.50)	1.189 (30.20)	1.645 (41.80)
12	.827 (21.00)	1.039 (26.40)	1.224 (31.10)	1.811 (46.00)	2.244 (57.00)	1.169 (29.70)	1.354 (34.40)	1.811 (46.00)
14	.992 (25.20)	1.205 (30.60)	1.390 (35.30)	1.976 (50.20)	2.409 (61.20)	1.355 (33.90)	1.520 (38.60)	1.976 (50.20)
16	1.157 (29.40)	1.370 (34.80)	1.555 (39.50)	2.142 (54.40)	2.575 (65.40)	1.500 (38.10)	1.685 (42.80)	2.142 (54.40)
18	1.323 (33.60)	1.535 (39.00)	1.720 (43.70)	2.307 (58.60)	2.740 (69.60)	1.665 (42.30)	1.850 (47.00)	2.307 (58.60)
20	1.488 (37.80)	1.701 (43.20)	1.886 (47.90)	2.472 (62.80)	2.906 (73.80)	1.831 (46.50)	2.016 (51.20)	2.472 (62.80)
22	1.653 (42.00)	1.866 (47.40)	2.051 (52.10)	2.638 (67.00)	3.071 (78.00)	1.996 (50.70)	2.181 (55.40)	2.638 (67.00)
24	1.819 (46.20)	2.031 (51.60)	2.217 (56.30)	2.803 (71.20)	3.236 (82.20)	2.161 (54.90)	2.346 (59.60)	2.803 (71.20)

NOTES:

- MATERIAL:
 *1" = NYLON 6/6, 94V-2, COLOR: NATURAL.
 *2" = NYLON 6/6, 94V-0, COLOR: NATURAL.
 *3" = NYLON 6/6, 94V-2, COLOR: BLACK.
 *4" = NYLON 6/6, 94V-0, COLOR: BLACK.
- PART IS DESIGNED IN METRIC.
- PART TO BE USED WITH MOLEX FEMALE TERMINAL #5556.
- THIS DIMENSION TO BE USED FOR ALIGNMENT OF THE MATING CONNECTOR.
- THIS CONNECTOR ALLOWS FOR .050/(1.27) MAX. MISALIGNMENT IN ANY DIRECTION.
- A MAXIMUM TOLERANCE OF .050/(1.27) ALLOWS FOR 2 POINTS OF ELECTRICAL CONTACT.
 A MAXIMUM TOLERANCE OF .020/(0.51) ALLOWS FOR 4 POINTS OF CONTACT.
- PART MATES WITH MINI-FIT B.M.I. PLUG #42475, AND HEADERS 42404, 42440, 43810, 44068 & 43879.
- PRODUCT SPECIFICATION: PS-5556-002
- CONNECTOR ASSEMBLIES ARE NOT TO BE MATED OR UNMATED WHILE CIRCUITS ARE LIVE.
- THIS PART IS INTENDED FOR ONE PANEL INSERTION ONLY. REMOVAL AND RE-INSERTION CAN DAMAGE THE MOUNTING SPIRALS.
- PANEL SHOULD BE PUNCHED IN THE DIRECTION OF CONNECTOR INSERTION.
- BOTH SPIRALS SHOULD BE INSERTED INTO THE PANEL AT THE SAME TIME, ROCKING THE PART INTO PLACE MAY CAUSE SPIRAL DAMAGE.
- THIS PART IS NOT INTENDED TO PROVIDE ANY ALIGNMENT OF CUSTOMER COMPONENTS OR MODULES, SUCH AS POWER SUPPLIES AND CHASSIS.
- IF THIS PRODUCT IS STORED IN AN ENVIRONMENT WITH A RELATIVE HUMIDITY OF LESS THAN 50%, MOISTURE MUST BE ADDED AS PER THE FOLLOWING:
 A) ADD 0.4 oz. OF DEIONIZED WATER PER 1.0 lb. OF PRODUCT
 B) RESEAL PLASTIC BAG AFTER MOISTURIZATION

LEGEND:



42474 - ** 1

BASE NUMBER

CIRCUIT SIZE (02-24)

MATERIAL (SEE NOTE 1.)

2	LB	M	LTR	REVISIONS
1	N	N		

ADDED VIEW J
UCP2003-1689
2-6-93 POLCAR

REV PS NOTE
UCP2003-9396
3/1/2002 SAMIEC

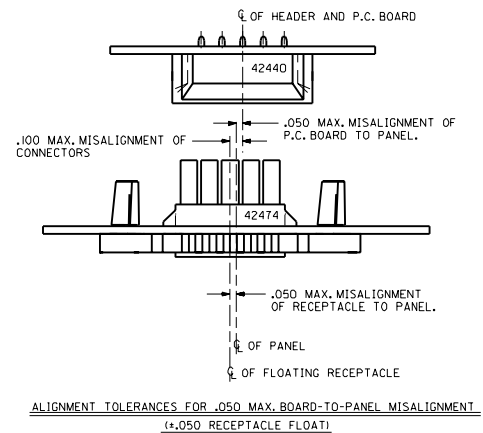
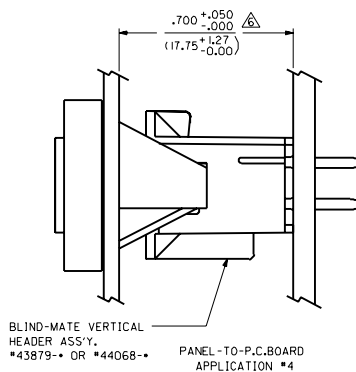
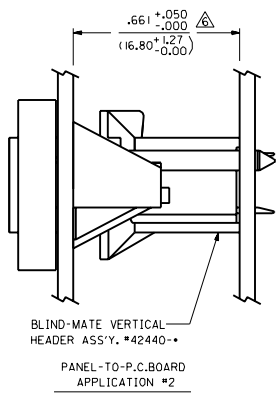
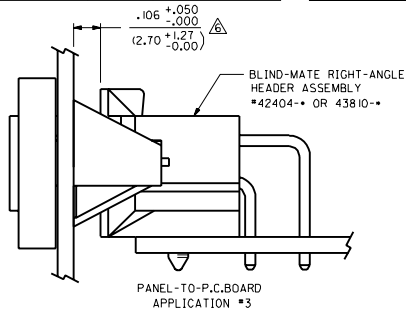
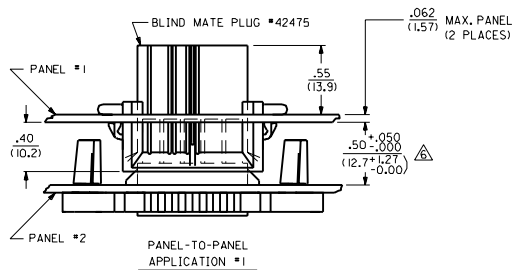
MOLEX INCORPORATED
1 OF 2

DATE: 8/24/89

SEE CHART SD-42474-***

SCALE: 4:1

	13	12	11	10	9	8	7	6	42474	4	3	2	1	
	PART NUMBER	ENG. NUMBER	CKT. SIZE	MATERIAL (SEE NOTE 1.)	PART NUMBER	ENG. NUMBER	CKT. SIZE	MATERIAL (SEE NOTE 1.)	ITEM NUMBER	CKT. SIZE	MATERIAL (SEE NOTE 1.)	ITEM NUMBER	CKT. SIZE	MATERIAL (SEE NOTE 1.)
J	NOT TOOLED	42474-0211	2	94V-2	NOT TOOLED	42474-0221	2	94V-0	NOT TOOLED	2	94V-2	NOT TOOLED	2	94V-0
	15-06-0040	42474-0411	4	94V-2	15-06-0041	42474-0421	4	94V-0	42474-0431	4	94V-2	42474-0441	4	94V-0
	15-06-0060	42474-0611	6	94V-2	15-06-0061	42474-0621	6	94V-0	42474-0631	6	94V-2	42474-0641	6	94V-0
	15-06-0080	42474-0811	8	94V-2	NOT TOOLED	42474-0821	8	94V-0	42474-0831	8	94V-2	NOT TOOLED	8	94V-0
I	15-06-0100	42474-1011	10	94V-2	15-06-0101	42474-1021	10	94V-0	42474-1031	10	94V-2	42474-1041	10	94V-0
	NOT TOOLED	42474-1211	12	94V-2	NOT TOOLED	42474-1221	12	94V-0	NOT TOOLED	12	94V-2	NOT TOOLED	12	94V-0
	15-06-0140	42474-1411	14	94V-2	15-06-0141	42474-1421	14	94V-0	42474-1431	14	94V-2	42474-1441	14	94V-0
	NOT TOOLED	42474-1611	16	94V-2	NOT TOOLED	42474-1621	16	94V-0	NOT TOOLED	16	94V-2	NOT TOOLED	16	94V-0
H	15-06-0180	42474-1811	18	94V-2	15-06-0181	42474-1821	18	94V-0	42474-1831	18	94V-2	42474-1841	18	94V-0
	NOT TOOLED	42474-2011	20	94V-2	NOT TOOLED	42474-2021	20	94V-0	NOT TOOLED	20	94V-2	NOT TOOLED	20	94V-0
	NOT TOOLED	42474-2211	22	94V-2	NOT TOOLED	42474-2221	22	94V-0	NOT TOOLED	22	94V-2	NOT TOOLED	22	94V-0
	15-06-0240	42474-2411	24	94V-2	15-06-0241	42474-2421	24	94V-0	42474-2431	24	94V-2	42474-2441	24	94V-0



DIMENSIONS SHOWN METRIC INCH
UNLESS OTHERWISE SPECIFIED
TOLERANCES ANGLES IN ° DEC 50

	INCH	METRIC
3 PLACE	± .001	± .025
2 PLACE	± .005	± .127
1 PLACE	± .015	± .381

DRAFT WHERE APPLICABLE MUST REMAIN WITHIN DIMENSIONS

DRWG. BY: LEM
APP'D. BY: RE

SCALE: MB

REVISIONS

THIS DRAWING CONTAINS INFORMATION THAT IS PROPRIETARY TO MOLEX INC. AND SHOULD NOT BE USED WITHOUT WRITTEN PERMISSION

REVISE ONLY ON CAD SYSTEM

TITLE: PANEL-MOUNT RECEPTACLE, BLIND MATE, MINI-FIT SERIES

MOLEX INCORPORATED
LITTLE ROCK, AR 72114 U.S.A.

PART NO. SD-42474-****

DRWG. NO. 60532

SHEET NO. 2

DATE 99/03/24

SEE CHART

FILE NAME: S42474X1.DGN

DWG. NO. CP

42474

CP

Datasheet

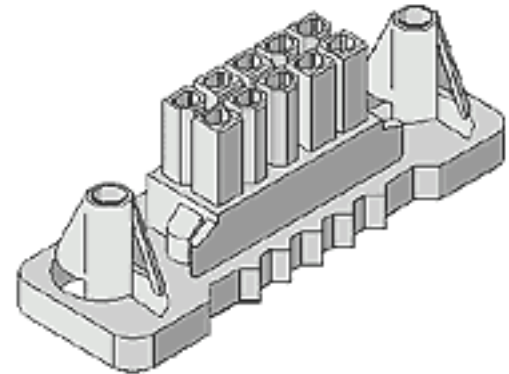
Crimp Housings

4.20mm (.165") Pitch Mini-Fit, BMI™ Receptacle, Dual Row With Panel Mount Ears 42474

[[Home](#) > [Products](#) > [Crimp Housings](#) > Datasheet]

[Help](#)

Status	Active <input type="checkbox"/>
Gender	Female
Wire Entry Angle	Vertical
Circuits / Positions	4, 6, 8, 10, 14, 18, 24, 36
Pitch / Center Spacing	4.20mm (.165")
Rows	2
Mates With	42404, 42440, 42475, 43810c, 43810b, 43810a, 43810d, 43879, 44068a, 44068b, 44068c, 44068d, 44474
Use With	5556, 44476, 44485
Designed In	Millimeters
Temperature Range	-40°C to +105°C
Contact Insertion Force-max. (per circuit)	14.7N (3.30 lb)
Contact Retention Force-min. (per circuit)	30.0N (6.74 lb)
Mating Force-max. (per circuit)	6.9N (1.54 lb)
Normal Force-min. (per circuit)	1.96N (0.44 lb)
Unmating Force-min. (per circuit)	3.0N (0.67 lb)
Panel Mount	Yes
Panel Thickness	1.27mm (.050")
Packaging	Bag
Housing Material	Nylon 6/6
Flammability	UL 94V-0, UL 94V-2
Stackable	No
Product Specification	PS-5556-002
UL File No.	E29179



Features and Benefits

- Panel mount receptacle for wire-to-wire or wire-to-board blind mating applications
- Connectors float in panel cutout up to 1.27mm (.050") in x-y direction to self-align with the mating flange of Mini-Fit, BMI™ plugs or Mini-Fit, BMI, Mini-Fit SMC™ and Mini-Fit, CPI™ headers
- Fully isolated terminals to protect contacts from damage
- Uses standard Mini-Fit™ series female terminals
- Fully polarized to plug or header to prevent mismatching

CSA File No.	LR19980
TUV File No.	R75142
MX01 Catalog Page	F-63
Product Name	Mini-Fit, BMI™
Molex Series	42474

[E-mail this page to a friend](#)

[© Copyright 2002 Molex Incorporated]