

## SERIES 47A Miniature Rocker and Paddle Switches

### FEATURES

- Save Space and Weight
- SPDT, DPDT, 3PDT and 4PDT Circuitry
- Choice of Actuators and Terminations
- UL Recognized



### MODELS In inches (and millimeters)

MODEL NO.	SWITCH POSITION		
SP1	ON	NONE	ON
SP2	ON	NONE (ON)	
SP3	ON	OFF	ON
SP4	(ON)	OFF	(ON)
SP5	ON	OFF	(ON)
TERM. COMM.	2-3	OPEN	2-1

( )=MOMENTARY  
02COMM.

**SPDT**

**SCHMATIC**

MODEL NO.	SWITCH POSITION		
DP1	ON	NONE	ON
DP2	ON	NONE (ON)	
DP3	ON	OFF	ON
DP4	(ON)	OFF	(ON)
DP5	ON	OFF	(ON)
TERM. COMM.	2-3,5-6	OPEN	2-1,5-4

( )=MOMENTARY  
02COMM. 05COMM.

**DPDT**

**SCHMATIC**

MODEL NO.	SWITCH POSITION		
3P1	ON	NONE	ON
3P2	ON	NONE (ON)	
3P3	ON	OFF	ON
3P4	(ON)	OFF	(ON)
3P5	ON	OFF	(ON)
TERM. COMM.	2-3,5-6	OPEN	2-1,5-4

( )=MOMENTARY  
02COMM. 05COMM. 08COMM.

**3PDT**

**SCHMATIC**

Rocker and Paddle Switches

**MODELS** In inches (and millimeters)

**4PDT**

MODEL NO.	SWITCH POSITION		
4P1	ON	NONE	ON
4P2	ON	NONE	(ON)
4P3	ON	OFF	ON
4P4	(ON)	OFF	(ON)
4P5	ON	OFF	(ON)
TERM. COMM.	2-3,5-6	OPEN	2-1,5-4

( )=MOMENTARY

02COMM. 05COMM. 08COMM.

SCHEMATIC

Dimensions:  $\varnothing.094$  (02.39), .937 (23.80), 1.156 (29.36), .275 (6.99), .030 (0.76), .185 (4.70), .155 (3.96), .441 (11.21), .020 (0.50), .147 (3.70), .080 (2.03), .190 (4.83), .500 (12.70), .850 (11.43), .12, .11, .10, .12, .11, .10, .03, .02, .01.

**ACTUATOR OPTIONS: For Panel Mount Only** In inches (and millimeters)

**R1**

Dimensions: .275 (6.99), 1.156 (29.36), .937 (23.80), .365 (9.27),  $\varnothing.094$  (02.39), .310 (7.87), .531 (13.49), .138 (3.50), .375 (9.52), .020 (0.50).

**R2**

Dimensions: .275 (6.99), 1.156 (29.36), .937 (23.80), .365 (9.27),  $\varnothing.094$  (02.39), .084 (2.13), .332 R. (8.43 R.), .740 (18.8), .138 (3.50), .875 (22.22), .020 (0.50).

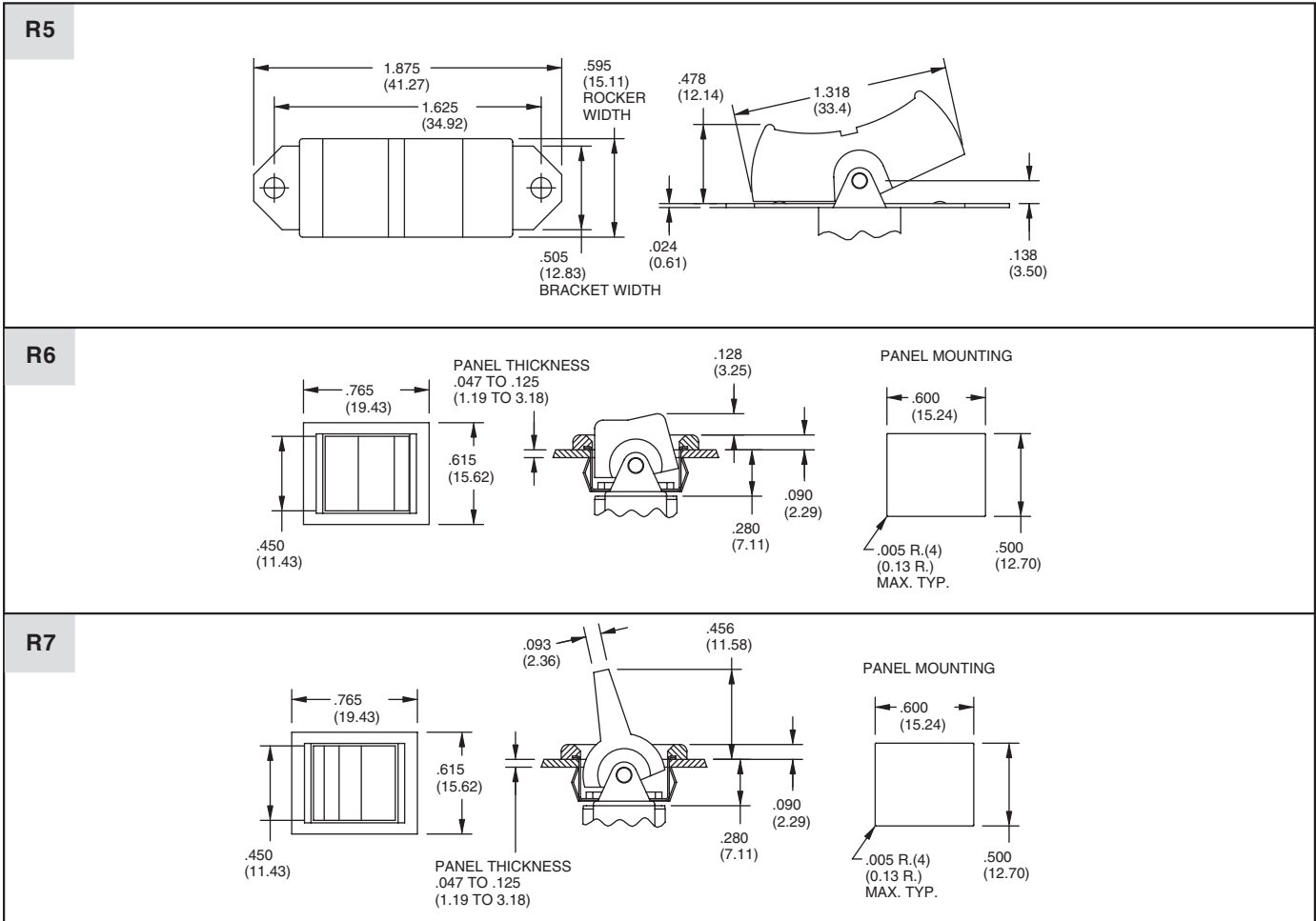
**R3**

Dimensions: 1.625 (41.27), 1.375 (34.92), .595 (15.11) ROCKER WIDTH, .505 (12.83) BRACKET WIDTH,  $\varnothing.125$  (03.17) 2 PLCS., .383 (9.73), .320 (8.13), .906 (23.01), .576 NOM. (14.63), .024 (0.61), .138 (3.50).

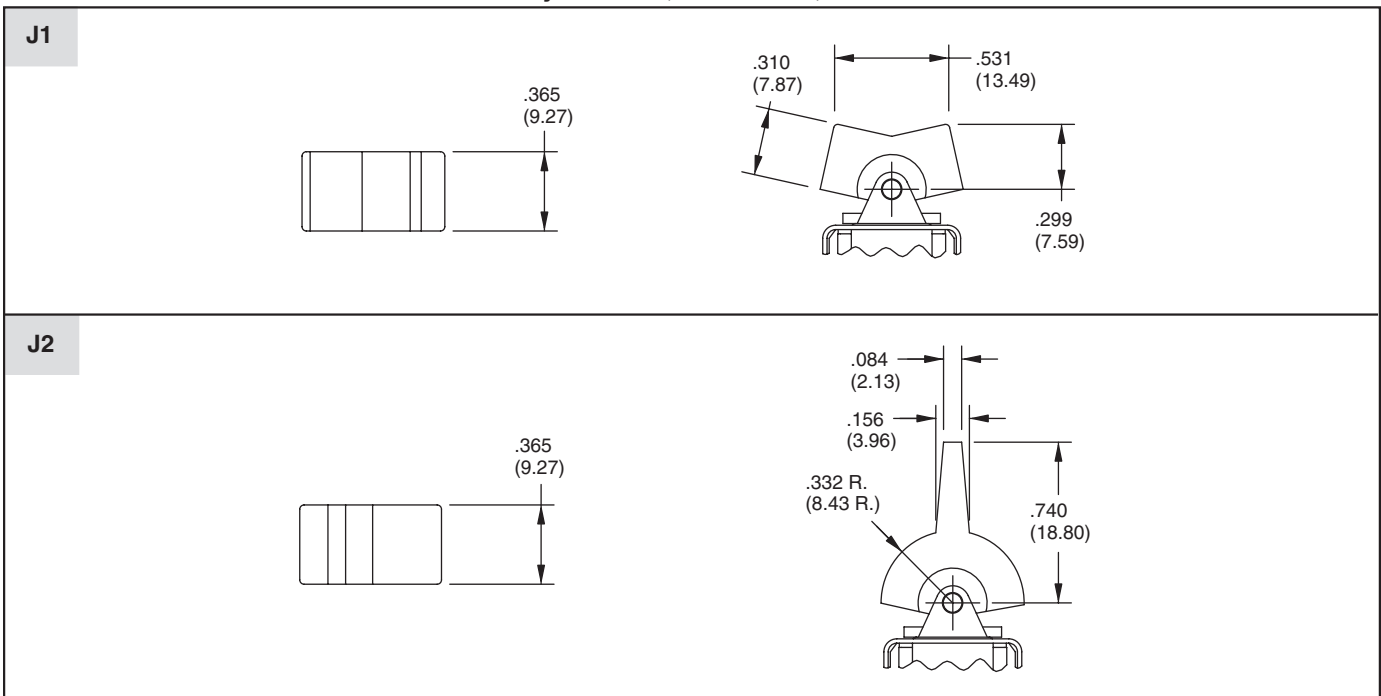
**R4**

Dimensions: 1.625 (41.27), 1.375 (34.92), .595 (15.11) ROCKER WIDTH, .505 (12.83) BRACKET WIDTH,  $\varnothing.125$  (03.17) 2 PLCS., .093 (2.36), .888 (22.56), 1.174 (29.82), 1.312 (33.32), .024 (0.61), .138 (3.50), .437 (11.10).

**ACTUATOR OPTIONS: For Panel Rear Mount Only** In inches (and millimeters)

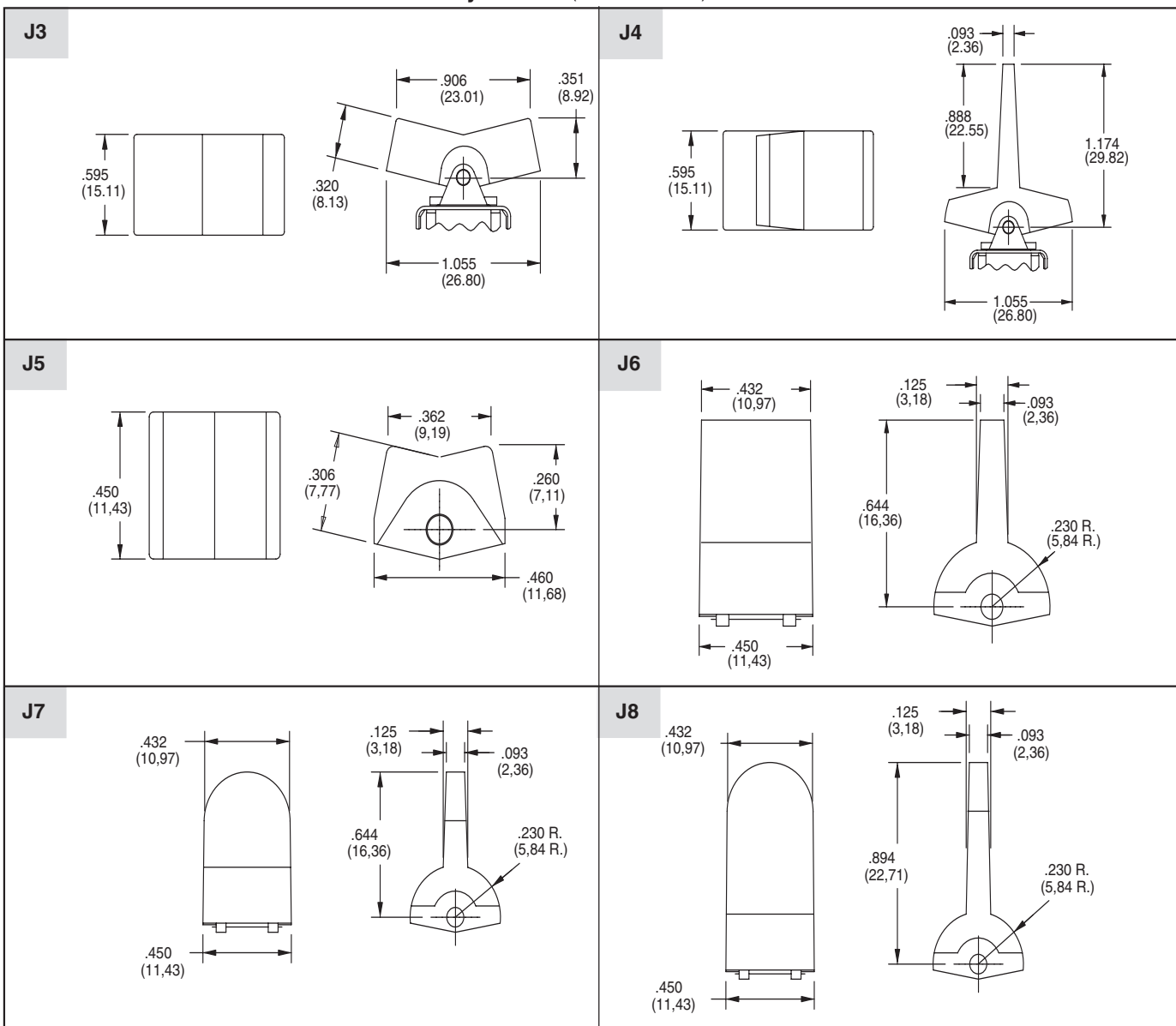


**ACTUATOR OPTIONS: For P.C. Mount Only** In inches (and millimeters)

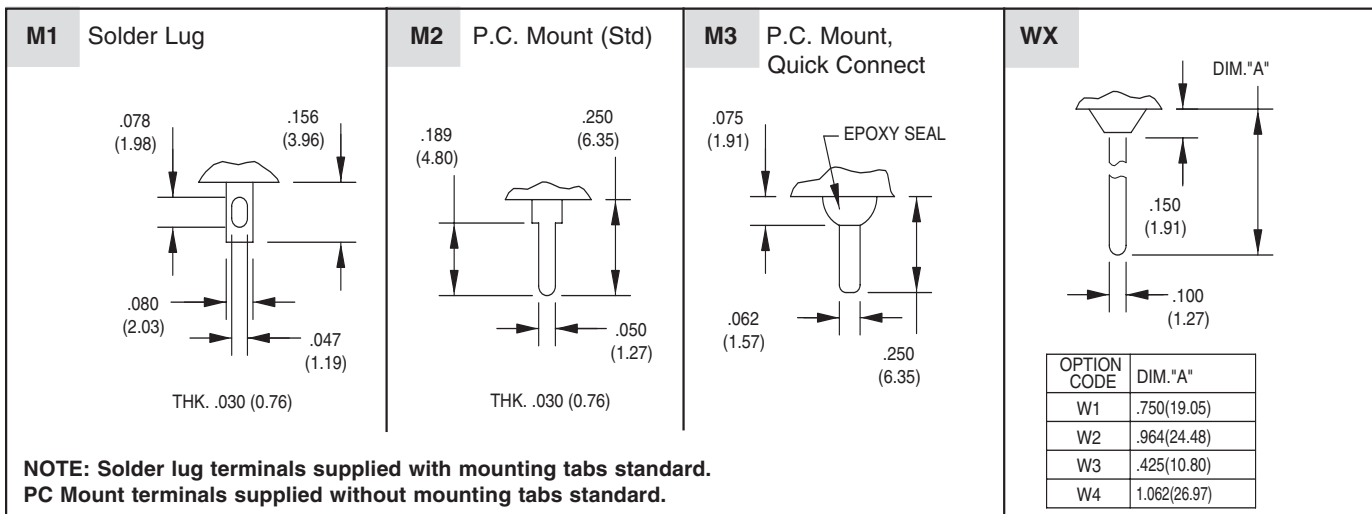


Rocker and Paddle Switches

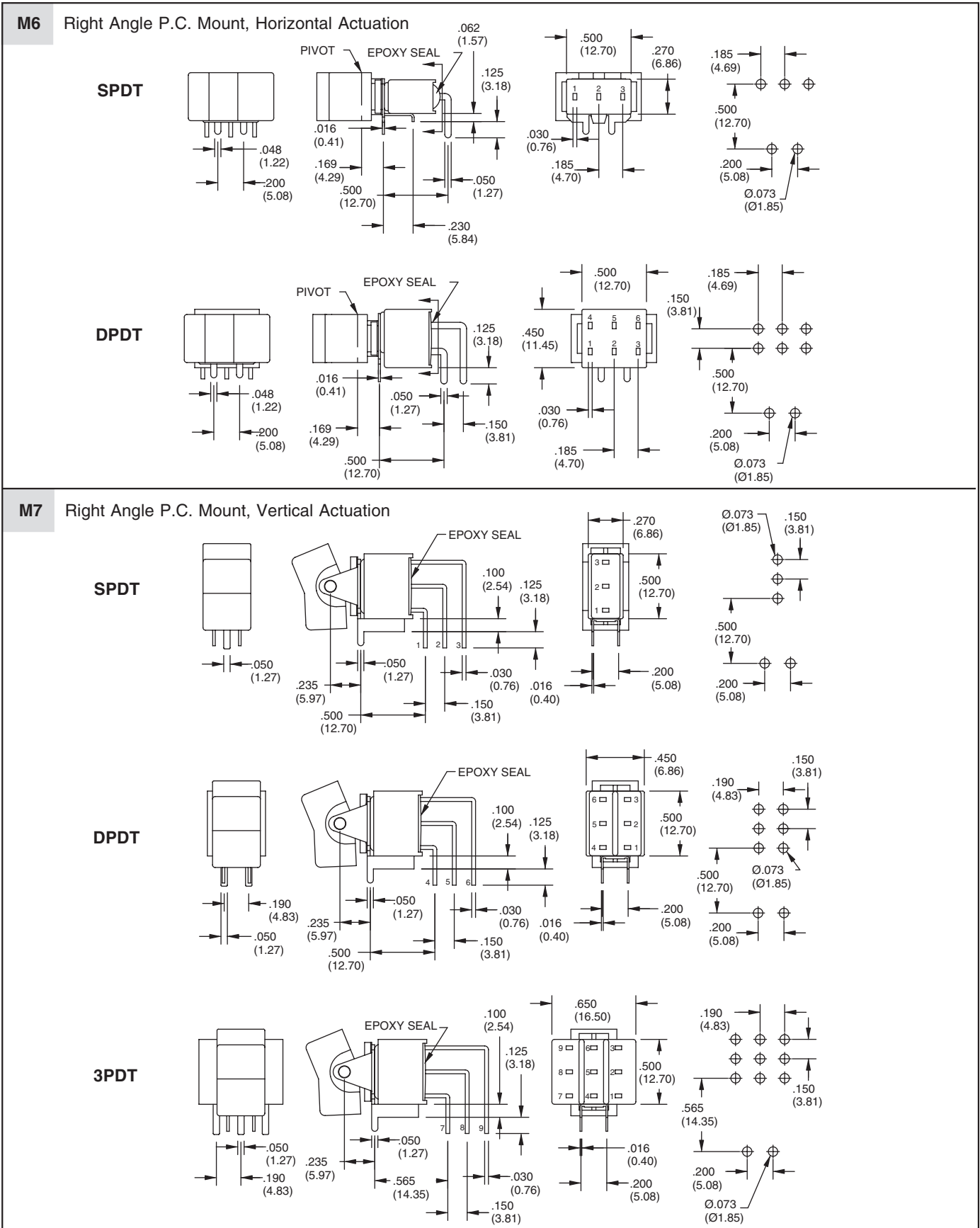
**ACTUATOR OPTIONS: For P.C. Mount Only** In inches (and millimeters)



**TERMINATION OPTIONS** In inches (and millimeters)



**TERMINATION OPTIONS** In inches (and millimeters)



Rocker and Paddle Switches

**TERMINATION OPTIONS** In inches (and millimeters)

**4PDT**

**V2-V3 Vertical Bracket P.C. Mount SPDT**

OPTION CODE	DIM."A"
V2	.460 (11.68)
V3	.630 (16.00)

**DPDT**

OPTION CODE	DIM."A"
V2	.460 (11.68)
V3	.630 (16.00)

**SPECIFICATIONS**

**RATINGS**

**Contact Rating:** Q option - 5A with resistive load @ 125 VAC or 28 VDC; 2A with resistive load @ 250 VAC. R option - 0.4 VA max @ 20 Vmax (AC or DC)

**Electrical Life:** 40,000 make-and-break cycles at full load

**Contact Resistance:** 10 milliohms max. initial @ 2-4 VDC, 100 mA

**Insulation Resistance:** 1,000 megaohms minimum

**Dielectric Strength:** 1,000 V RMS @ sea level

**Operating Temperature:** -30°C to 85°C

**UL Recognition:** File number is E35289

**MATERIALS**

**Case:** Diallyl phthalate (DAP) (UL 94V-0)

**Rockers:** Nylon (UL 94V-0)

**Bushing:** Stainless steel

**Switch Support:** Brass, tin-plated

**Terminal/Contacts:** Brass with silver or gold plate

**Terminal Seal:** Epoxy

**ORDERING INFORMATION**

47ASP1J2M6RT

Series 47A Miniature Rocker and Paddle Switches

Model: SPDT: SP1, SP2, SP3, SP4, SP5  
 DPDT: DP1, DP2, DP3, DP4, DP5  
 3PDT: 3P1, 3P2, 3P3, 3P4, 3P5  
 4PDT: 4P1, 4P2, 4P3, 4P4, 4P5  
 (See Model options.)

Actuator: R1, R2, R3, R4, R5, R6, R7  
 J1, J2, J3, J4, J5, J6, J7, J8 (See actuator options.)

Termination Options: M1, M2, M3, M6, M7, S6, V2, V3, W1, W2, W3, W4  
 (See Termination options.)

RoHS Compliant

Contact: R = Brass alloy, gold plate over nickel plate  
 Q = Brass alloy, silver plated

Available from your local Grayhill Component Distributor. For prices and discounts, contact a local Sales Office, an authorized local Distributor or Grayhill.