

FEATURES AND SPECIFICATIONS

Features and Benefits

- Available in both fully-terminated harness style or component kit (Contact Molex for details)
- User-friendly latch provides secure mating
- Short body and slanted cable attachment provide space savings
- Audible "click" confirms mating
- Tulip-shaped dual-beam contact offers high normal force and low insertion force
- Selective Gold-plated contacts

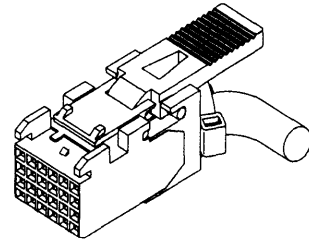
Reference Information

Packaging: Bag
 Tooling Information: Contact Molex
 Mates With: 55222, 53901 and 53798
 Use With: 53956 (shroud)
 Designed In: Millimeters



2.00mm (.079") Pitch MFB™ (Futurebus+) Receptacle Assembly

59232 IDT Type, 4-Row



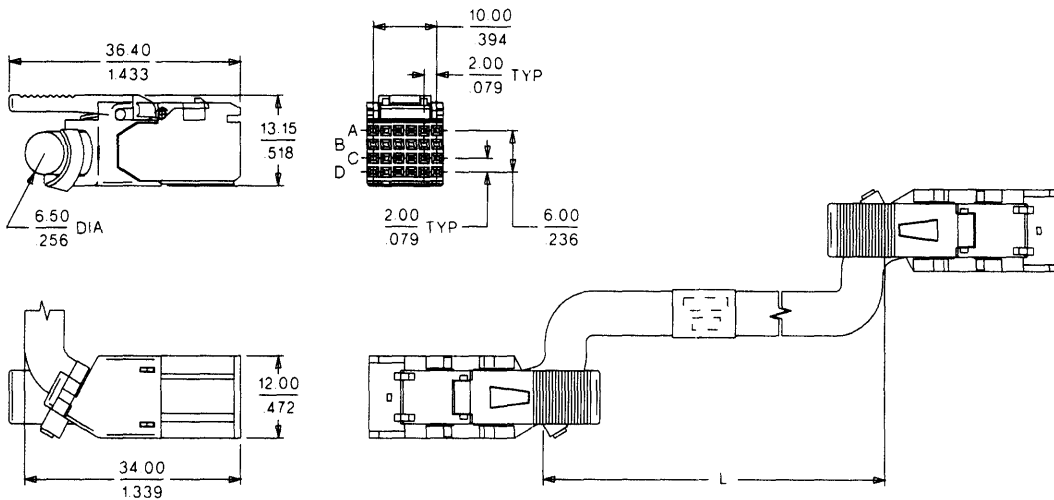
Electrical

Specification 1 (Cable 5.25mm dia.)
 Voltage: 30V
 Current: 0.5A
 Contact Resistance: 35mΩ max. (Terminal Mating Area)
 Dielectric Withstanding Voltage: 500V AC
 Insulation Resistance: 100 MΩ min.
Specification 2 (Cable 6.5mm dia.)
 Voltage: 90V
 Current: 0.5A
 Contact Resistance: 35mΩ max. (Terminal Mating Area)
 Dielectric Withstanding Voltage: 500V AC
 Insulation Resistance: 100 MΩ min.

Physical

Housing: LCP, UL 94V-0
 IDT Terminal: Phosphor Bronze
 Latch: PBT, UL 94V-0
 Plating: Gold 0.3μm min. over Nickel
 Operating Temperature: 0 to +60°C

CATALOG DRAWING (FOR REFERENCE ONLY)



ORDERING INFORMATION AND DIMENSIONS

Order No.	Dimension L
59232-X025	250 (9.843)
59232-X030	300 (11.811)
59232-X035	350 (13.780)
59232-X040	400 (15.748)
59232-X045	450 (17.717)
59232-X050	500 (19.685)
59232-X055	550 (21.654)
59232-X060	600 (23.622)
59232-X065	650 (25.591)
59232-X070	700 (27.559)
59232-X075	750 (29.528)
59232-X080	800 (31.496)
59232-X085	850 (33.465)
59232-X090	900 (35.433)
59232-X095	950 (37.402)
59232-X100	1000 (39.370)

Order No.	Dimension L
59232-X105	1050 (41.339)
59232-X110	1100 (43.307)
59232-X115	1150 (45.276)
59232-X120	1200 (47.244)
59232-X125	1250 (49.213)
59232-X130	1300 (51.181)
59232-X135	1350 (53.150)
59232-X140	1400 (55.118)
59232-X145	1450 (57.087)
59232-X150	1500 (59.055)
59232-X155	1550 (61.024)
59232-X160	1600 (62.992)
59232-X165	1650 (64.961)
59232-X170	1700 (66.929)
59232-X175	1750 (68.898)
59232-X180	1800 (70.866)

Order No.	Dimension L
59232-X185	1850 (72.835)
59232-X190	1900 (74.803)
59232-X195	1950 (76.772)
59232-X200	2000 (78.740)
59232-X205	2050 (80.709)
59232-X210	2100 (82.677)
59232-X215	2150 (84.646)
59232-X220	2200 (86.614)
59232-X225	2250 (88.583)
59232-X230	2300 (90.551)
59232-X235	2350 (92.520)
59232-X240	2400 (94.488)
59232-X245	2450 (96.457)
59232-X250	2500 (98.425)

Replace X with electrical specification no., 0 or 1

Electrical specification no. 0: Specification 2 (Cable 6.5mm dia.)

Electrical specification no. 1: Specification 1 (Cable 5.25mm dia.)