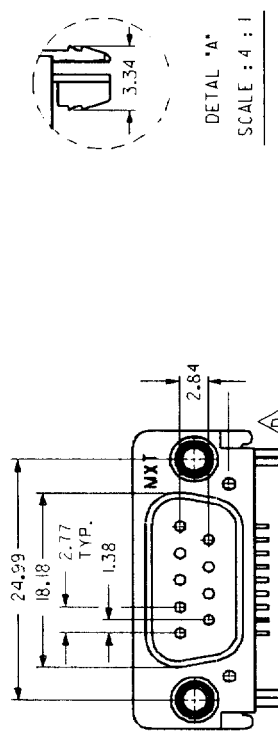
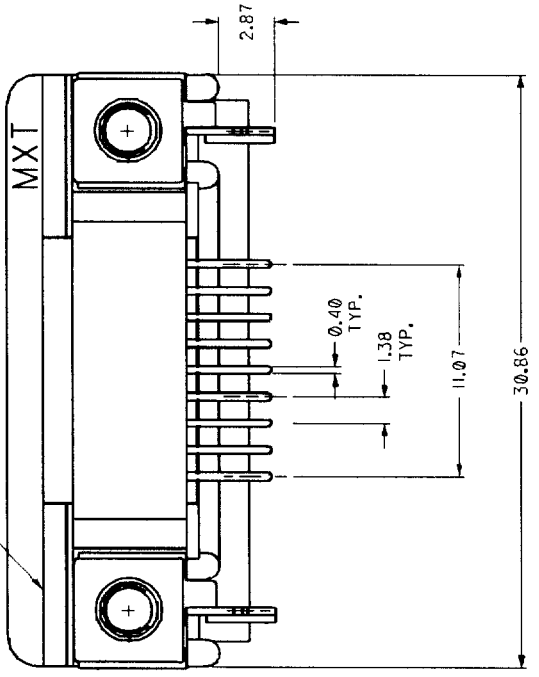
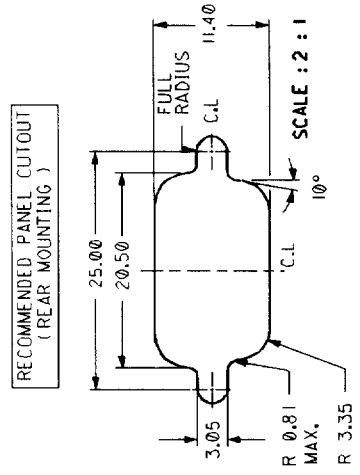
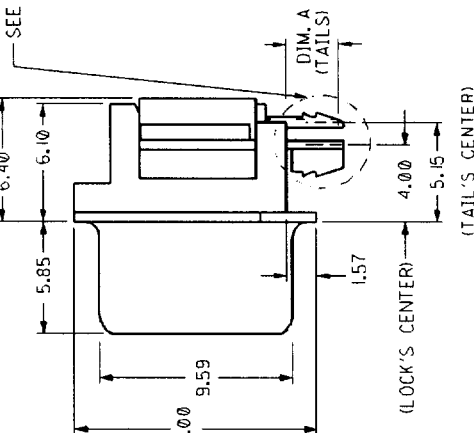


NOTE :

- HOUSING : PBT , 30% GF, 94V-0
- TERMINAL : BRASS, PLATING : AU OPTION (SEE P/N LEGEND) IN CONTACT AREA, 2.54 um/ 100 um MIN. TIN/LEAD IN SOLDER TAIL AREA, BOTH OVER 1.27 um/50 um MIN. NICKEL OVERALL.
- SHELL : ALUMINUM KILLED STEEL, PLATING : 5.10 um/200 um MIN. TIN OVER 1.27 um/50 um MIN. NICKEL OVERALL.



DATE CODE AREA IN THIS SURFACE
COLOR: BLUE
YYWW YEAR WEEK



LEGEND : 89045-2**

- HEX SCREW OPTION :
 - 1 - WITHOUT #4-40 SCREW
 - 3 - WITH 2 PCS #4-40 SCREW (NON-ASSEMBLED)
 - 5 - WITH 2 PCS #4-40 SCREW (ASSEMBLED)
- TAIL LENGTH AND HOUSING COLOR:
 - 1 - 2.6mm TAIL LENGTH , COLOR : BLACK
 - 2 - 2.1mm TAIL LENGTH , COLOR : BLACK
 - 3 - 1.6mm TAIL LENGTH , COLOR : BLACK
- TERMINAL PLATING CODE :
 - 4 - 0.76 um/30um AU MIN.
 - 5 - 0.38 um/15um AU MIN.
 - 6 - AU FLASH

MATERIAL : SEE NOTE 1 & 2		MOLEX TAIWAN LTD. SHEET 1 OF 2	
D	ADD DATE CODE AREA	198-114 (G.WORK)	9709/9
C	ADD OPTION FOR TAIL LENGTH & LOCKING COMPLETED & RIM	197-284 (G.WORK)	9702/7
BI	MODIFY HOUSING	197-033 (MIL)	9607/5
B	TOOLING COMPLETED & RIM	197-011 (PJ)	9607/6
AZ	REVISE PROFILE	196-332 (PJ)	9602/6
AI	NEW RELEASE	196-273 (T.MANG)	9601/1
LTR	REVISION RECORD	ECN	DR DATE
REVISE ONLY ON CAD SYSTEM		APPR'D BY	SCALE 4 : 1
GENERAL TOLERANCES		ANGLE : 3° DIM ± .25/±0.10	
ENG. NO.:		SDA-89045-2**	
TITLE :		9 CRT, MALE DIP LOW PROFILE D-SUB CONNECTOR BACKCOVER AND LIF BOARD LOCK	

PRODUCT P/N	DIM. A (TAIL LENGTH)
89045-12**	2.6
89045-22**	2.1
89045-32**	1.6

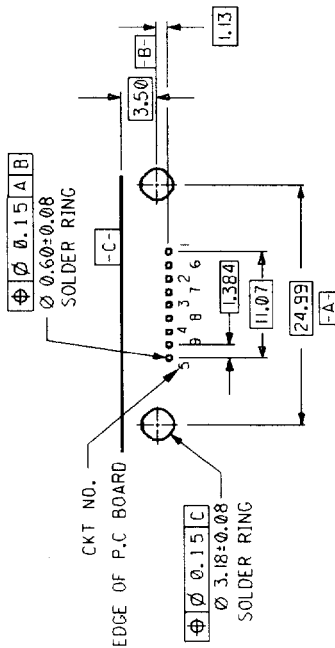
THIS DRAWING CONTAINS INFORMATION THAT IS PROPRIETARY TO MOLEX (FEM) AND SHOULD NOT BE USED WITHOUT WRITTEN PERMISSION

MOLEX02160

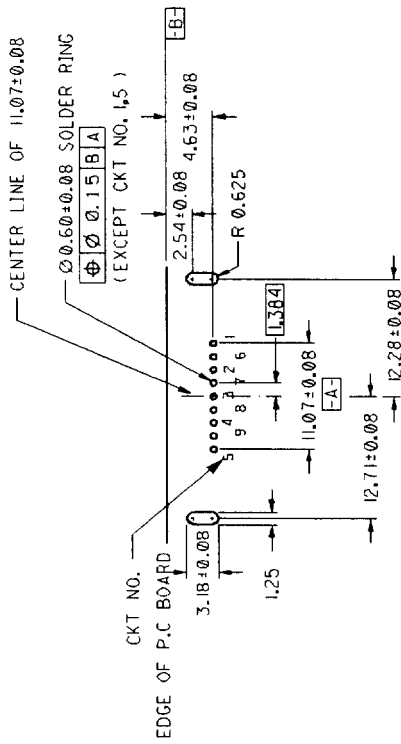
RECOMMENDED P.C BOARD LAYOUT

TYPE A

RECOMMENDED P.C BOARD LAYOUT



TYPE B



DO NOT SCALE DRAWING

CAD FILE : S8904552

SIMILAR ITEM

EDP NO.

ENG. NO SDA-89045-200

MATERIAL :		MOLEX	
FINISH :		TAIWAN LTD.	
WIRE RANGE :		SHEET 2 OF 2	
ERROR CORRECTION	[97-33] [C.Wang] [970321]	GENERAL TOLERANCES	
100% INC COMPLETED & RTM	[97-07] [PJ] [960716]	ANGLE : 3° - DIM ± = .25/0.00	
NEW RELEASE	[96-73] [J.Wang] [960116]	ENG. NO. SDA-89045-200	
REVISION RECORD	ECN DR DATE	REV C	
REVISE ONLY ON CAD SYSTEM		TITLE : 9 CKT. MALE DIP	
DRAWN BY T.WANG		LOW PROFILE D-SUB CONNECTOR	
APPROD BY		BACKCOVER AND LIF BOARD LOCK	
SCALE 2 : 1		MIXT , S0 - 13	

THIS DRAWING CONTAINS INFORMATION THAT IS PROPRIETARY TO MOLEX (FEM) AND SHOULD NOT BE USED WITHOUT WRITTEN PERMISSION