

HIGH FREQUENCY FERRITE MULTILAYER CHIP BEAD

ACHB-0603G



RoHS
Compliant



1.6 x 0.8 x 0.8mm

FEATURES:

- Excellent solderability and high heat resistant permit wave or reflow soldering
- High frequency noise countermeasure (100MHz to \geq 1GHz)
- Ideal low cost SMT solution for EMI/RFI reduction & GHz band digital interface

APPLICATIONS:

- High frequency noise countermeasure in PC, digital cameras and other information system products
- For use on digital product clock lines and general signal lines, radiated noise suppression in computer or printer interfaces and harness connectors
- Preventing interference between circuits in cellular phones

STANDARD SPECIFICATIONS:

PARAMETERS

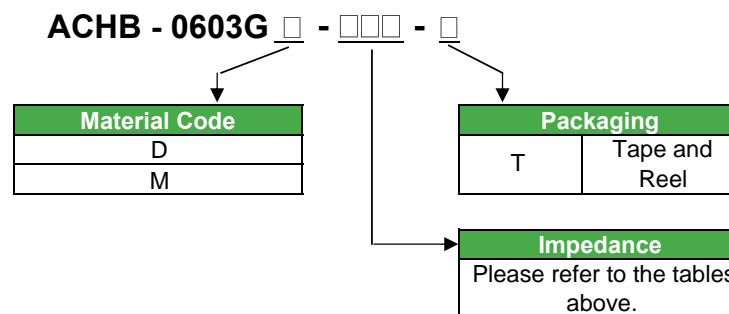
ABRACON P/N:	ACHB-0603G-xxx Series
Operating temperature:	-55°C to + 125°C
Storage temperature:	-55°C to + 125°C

Part Number	Impedance (Ω)	Tolerance	Test Frequency	Impedance @1GHz (Typ.)	DCR (Ω) Max	I _r mA Max
ACHB-0603GM-471	470	\pm 20%	100MHz	700 Ω	1.2	200
ACHB-0603GM-601	600	\pm 20%	100MHz	850 Ω	1.5	200
ACHB-0603GM-102	1000	\pm 20%	100MHz	1200 Ω	1.8	100
ACHB-0603GD-331	330	\pm 20%	100MHz	400 Ω	0.5	300
ACHB-0603GD-471	470	\pm 20%	100MHz	400 Ω	0.85	200
ACHB-0603GD-601	600	\pm 20%	100MHz	450 Ω	1	200
ACHB-0603GD-102	1000	\pm 20%	100MHz	750 Ω	1.5	100

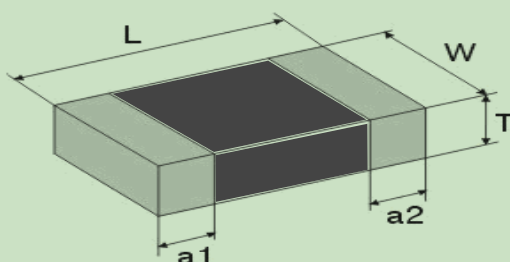
I_r is the rated current applied when the chip surface temperature rises 20°C

OPTIONS AND PART IDENTIFICATION:

(Left blank if standard)



OUTLINE DRAWING:



Length (L)	0.063 \pm 0.006 (1.6 \pm 0.15)
Width (W)	0.031 \pm 0.006 (0.80 \pm 0.15)
Thickness (T)	0.031 \pm 0.006 (0.80 \pm 0.15)
a1, a2 (BW)	0.012 \pm 0.008 (0.30 \pm 0.20)

Dimensions: Inches (mm)

ABRACON IS
ISO 9001 / QS 9000
CERTIFIED



Visit www.abracon.com for Terms & Conditions of Sale **Revised: 10.05.07**
30332 Esperanza, Rancho Santa Margarita, California 92688
tel 949-546-8000 | fax 949-546-8001 | www.abracon.com

HIGH FREQUENCY FERRITE MULTILAYER CHIP BEAD

ACHB-0603G



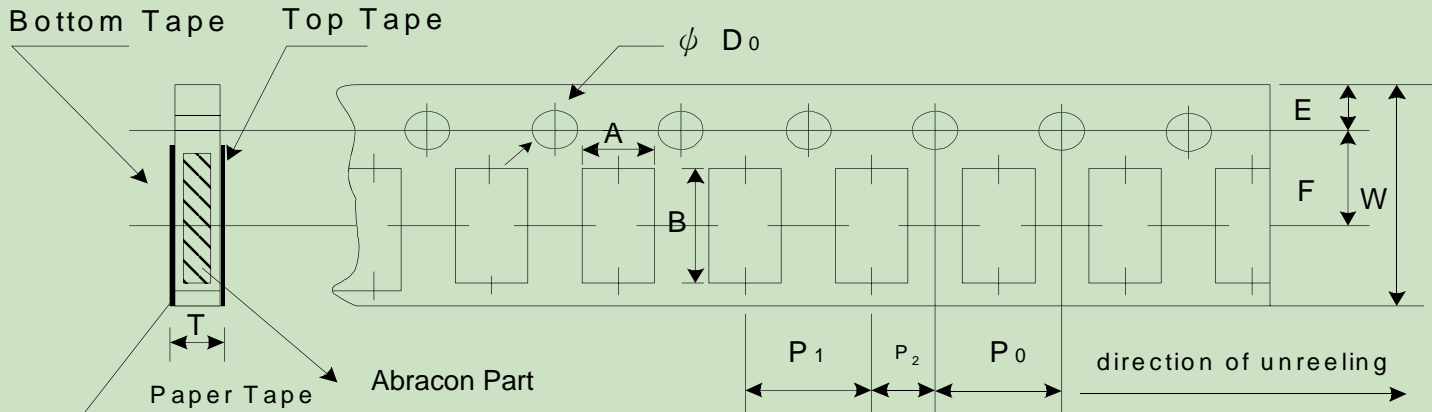
RoHS
Compliant



1.6 x 0.8 x 0.8mm

TAPE & REEL: Tape and reel 8,000pcs/reel

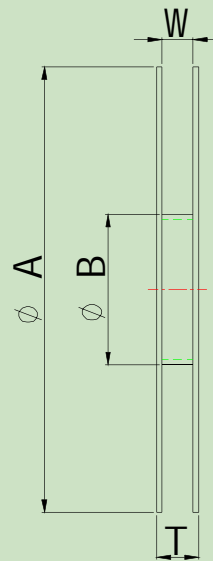
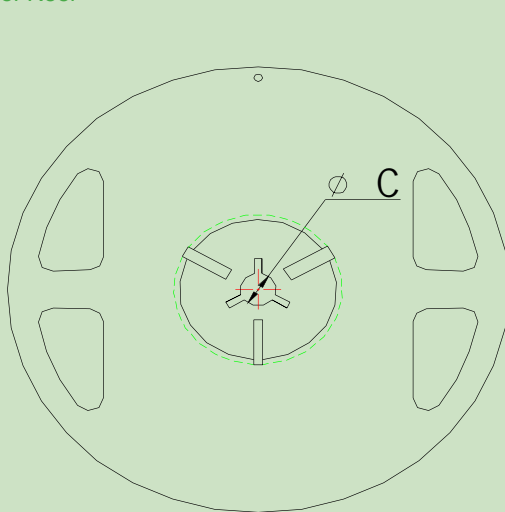
Dimensions of Tape



Codes	A	B	W	E	F
ACHB-0603G	1.10±0.05	1.90±0.05	8.00±0.10	1.75±0.05	3.5±0.05

Codes	P ₀	P ₁	P ₂	ΦD_0	T
ACHB-0603G	4.00±0.10	4.00±0.10	2.00±0.05	1.55±0.05	0.60±0.03

Dimensions of Reel



	mm
A	178±2
B	60±2
C	13.0±0.5
W	10.0±1.15
T	12.0±1.0

ABRACON IS
ISO 9001 / QS 9000
CERTIFIED



ABRACON
CORPORATION

Visit www.abracon.com for Terms & Conditions of Sale **Revised: 10.05.07**
30332 Esperanza, Rancho Santa Margarita, California 92688
tel 949-546-8000 | fax 949-546-8001 | www.abracon.com