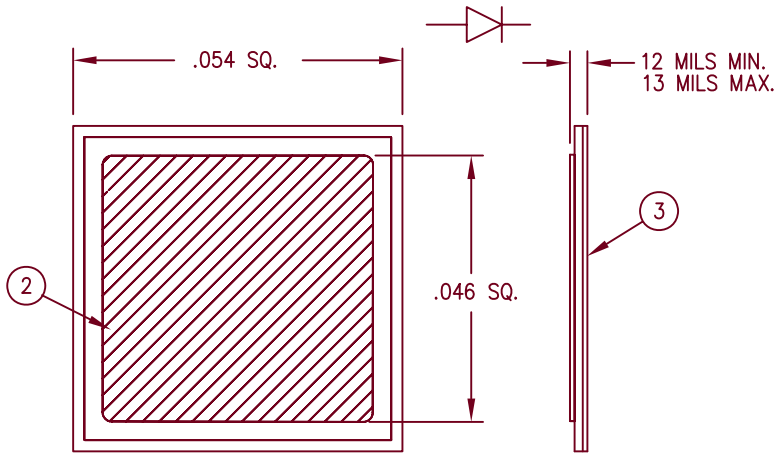


2 Amp Schottky Rectifier Die CH054S



1. Lot Acceptance testing per customer specifications. Contact factory.
MIL-PRF-19500 class K equivalent available upon request.

- ② Anode
- ③ Cathode

- Schottky Barrier Rectifier
- Guard Ring Protected
- Low Forward Voltage
- Voltages up to 100V
- LAT testing available (note 1)
- Cells with moly discs available

Electrical Characteristics

	Reverse Voltage	Max. T_J	Typ. V_f @ 2A
CH054S0050*	50	150°C	0.58V
CH054S0060*	60	150°C	0.63V
CH054S0100*	100	175°C	0.84V

* Standard contact metal is Silver. Aluminum anode metal is available on request.
Contact factory to specify non-standard contact metal.

Thermal and Mechanical Characteristics

Max. Allowable Storage Temperature	-55°C to 175°C
Typical thermal resistance	15-22°C/Watt
Surge current at max T_J	100A @ 8.3ms half sine

NOTE: Thermal resistance ($R_{\theta JC}$), forward voltage drop, and surge current (I_{TSM}) ratings are heavily dependent on die to heat sink assembly methods.



6 Lake Street
Lawrence, MA 01841
PH: (978) 620-2600
FAX: (978) 689-0803
www.microsemi.com

05-09-07 Rev. 1