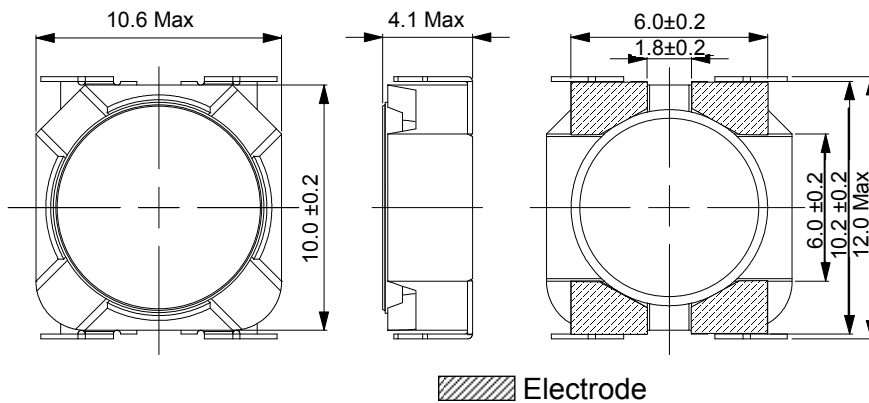
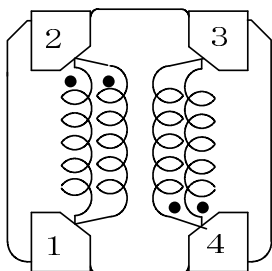


Type: CLS104
◆ Product Description

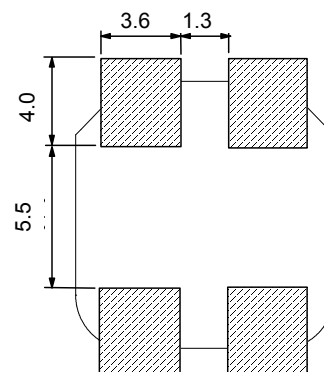
- 4 Terminal pins' type gives a flexible design as inductors or transformers.
- Can also be used as a coupled inductor, two single inductors connected in parallel, as 1:1 transformer or as an autotransformer when connected in series.
- Core material: Ferrite.
- Custom design is available.


◆ Feature

- Max. Operating frequency: 1MHz.
- 2 in 1 Coils for high efficiency up-down DC-DC converters.(SEPIC, Zeta, Cuk converter).
- Storage temperature range: -40°C~+105°C.
- Operating temperature range: -40°C~+105°C (including coil's self-heat).
- Product weight: 1.43g(Ref.).
- Ideally used in the power supply for DSC、Note PC、DVC and W-LED backlighting.
- RoHS Compliance.

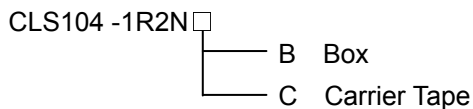
◆ Dimensions (mm)

◆ Schematics (Bottom)


“●” indicates polarity.

◆ Land Pattern (mm)


Type: CLS104
◆ Specification

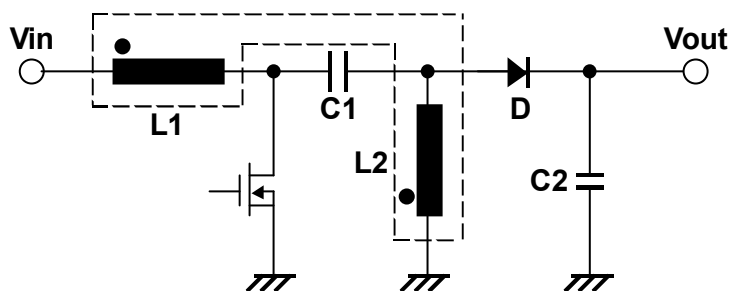
Part No.	Stamp	Inductance (μH) [Within]	D.C.R. [Max.] ($\text{m}\Omega$) (at 20°C)※1		Saturation Current (A) ※2				Temperature Rise current (A) ※3	
			(2-1)	(4-3)	In parallel		In series		In parallel	In series
					at 20°C	at 100°C	at 20°C	at 100°C		
CLS104-1R2N□	1R2	1.2±30%	18(14)	20(16)	6.5	4.0	2.8	2.4	5.8	2.8
CLS104-2R7N□	2R7	2.7±30%	26(21)	30(24)	5.8	3.2	2.4	2.1	4.5	2.4
CLS104-4R1N□	4R1	4.1±30%	42(33)	46(37)	3.0	2.3	2.1	1.9	3.6	1.8
CLS104-6R8N□	6R8	6.8±30%	61(49)	70(56)	2.8	2.1	1.3	1.1	3.2	1.6
CLS104-100N□	100	10±30%	98(79)	110(89)	2.3	1.6	1.2	1.0	2.4	1.2
CLS104-150N□	150	15±30%	150(121)	168(135)	1.7	1.4	1.1	0.7	2.0	1.0
CLS104-210N□	210	21±30%	175(141)	200(161)	1.4	1.0	0.8	0.6	1.8	0.9

※ Description Of Part Name


※1. () typical value.

※2. Saturation Current: The DC current at which the inductance decreases to 90% of it's nominal value.

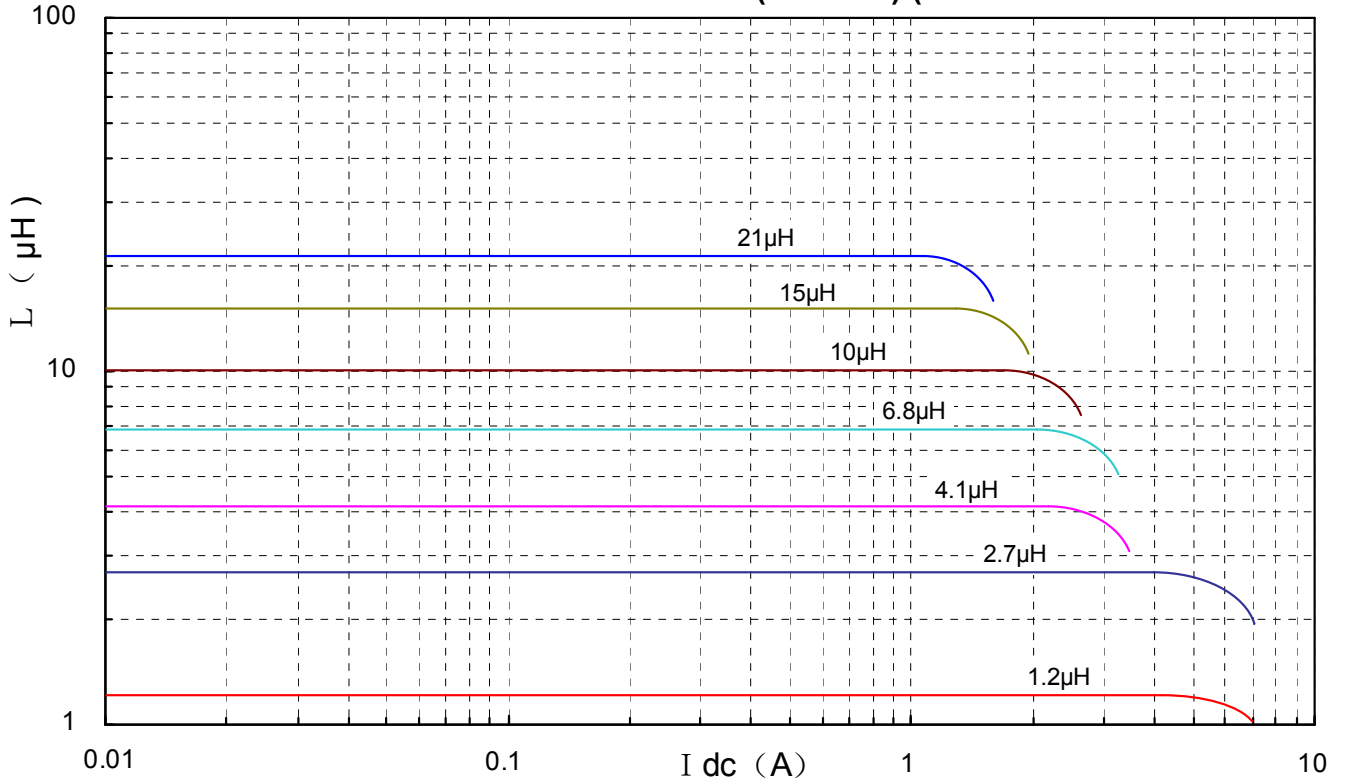
※3. Temperature rise current: The DC current at which the temperature rise is $\Delta t=40^\circ\text{C}$. ($T_a=20^\circ\text{C}$).

◆ Typical SEPIC Schematic


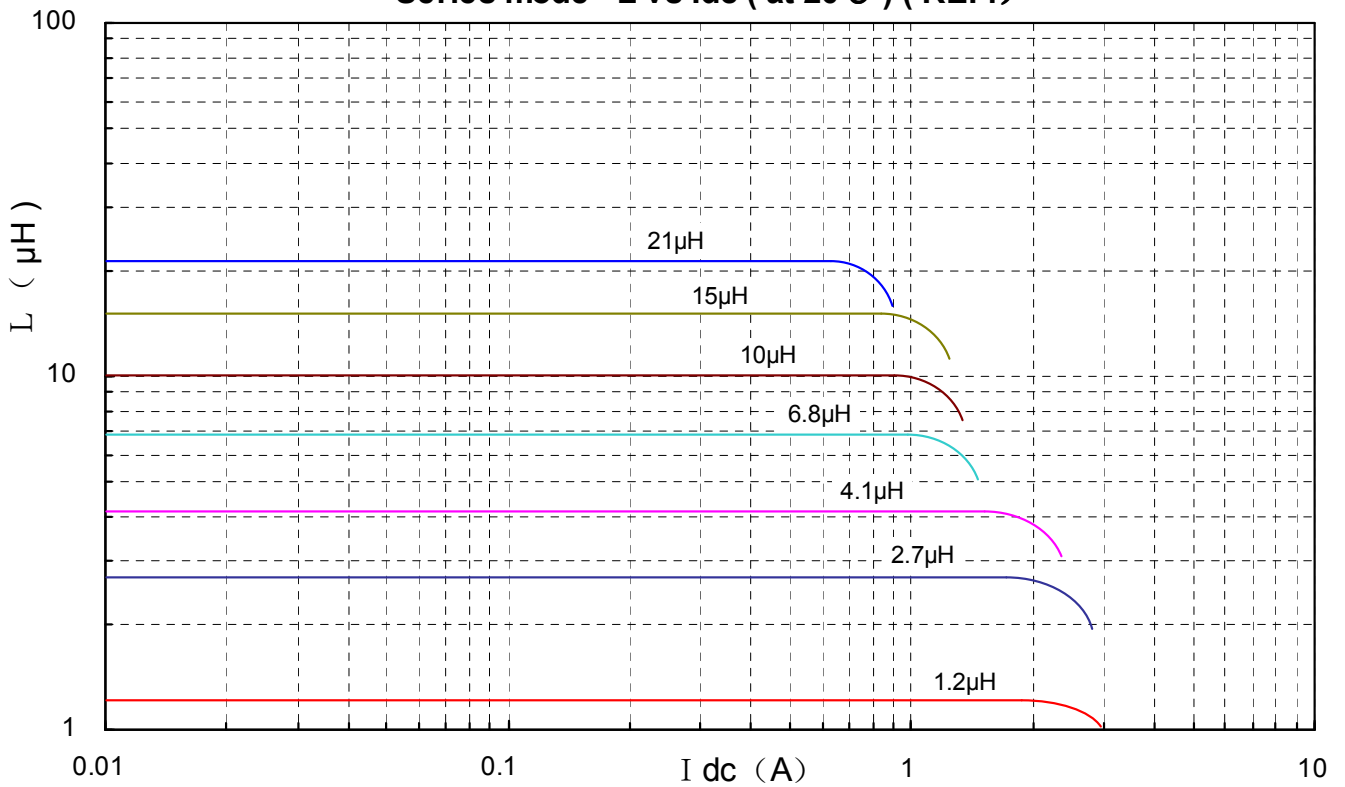
Type: CLS104

◆ Typical L Vs Current (REF.)

Parallel mode L vs I_{dc} (at 20°C) (REF.)



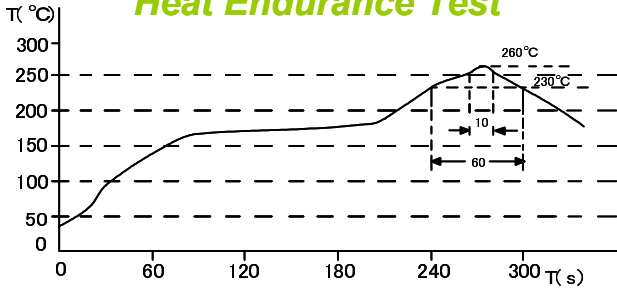
Series mode L vs I_{dc} (at 20°C) (REF.)



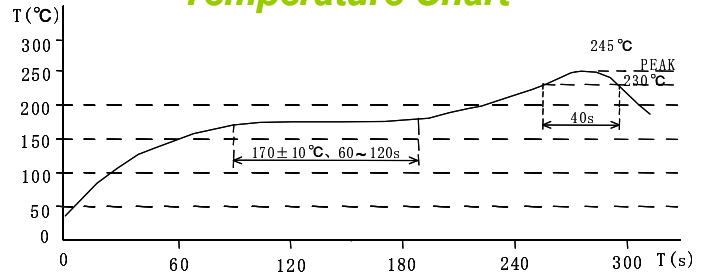
Type: CLS104

◆ Recommendation Reflow Condition

Heat Endurance Test



Temperature Chart



◆ Packaging with Embossed Tape and Reel

Qty.: 1000pcs/reel

