

REFERENCE SPECIFICATIONS

-NFC 93425 (in compliance with HE 507)

PHYSICAL CHARACTERISTICS

- INSULATOR MATERIAL: THERMOPLASTIC ,UL94V0
- CONTACT MATERIAL: BRASS
- ACCESSORIES: BRASS
- SHELLS: STEEL

ELECTRICAL CHARACTERISTICS

- NOMINAL CURRENT: 40A
- CONTACT RESISTANCE: <= 7.3 mOhms
- CONTACT/CONTACT : >=1000 V
- CONTACT/GROUND : >=1200 V
- INSULATION RESISTANCE: >=5000 MOhms

- CLIMATIC CATEGORY: 55/125/21
TEMPERATURE RANGE -55°C TO +125°C
DAMP HEAT STEADY STATE 21 DAYS
SALT SPRAY 24 HOURS

- RETENTION AGAINST TORQUE: - Threaded insert: 0.7 N.m minimum
- Female screw : 0.5 N.m minimum

PRESS FIT PERFORMANCES

PRESS FIT CONTACTS	
INSERTION FORCE	<= 200 N Average insertion 160N
EXTRACTION FORCE	>= 30 N

NOTE RoHS INFORMATION

- The "LF" products meet european union Directives and other country regulations as described in GS-22-008.
- Termination plating spec:
 - Ni 1.27µm+Sn 0.5 to 1.5µ(pure bright)
- Active area plating spec:
 - Ni + Gold
- Shell plating : 2 to 4µm Cu + 3 to 10µmm Sn(pure bright)
- Accessories: Sn pure bright
- Packaging spec: See GS-14-920

DBL5W5P80C5M40LF

Series

Shell size: **E A B C**
(see sheet 3)

Front accessory definition
(see sheet 2)

- blank :without accessory
- L :threaded insert M3
- O :threaded insert UNC 4-40
- V :female screw UNC 4-40

Layout of contacts (see sheet 3)

Contacts

P :Pin

Termination type

80C Right angle/US foot print

Plating

- 5** 200 matings/unmatings
- 6** 500 matings/unmatings

PCB accessories definition(see sheet 2)

- M** Metal brackets
- A** Without accessory

Power contacts

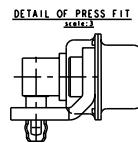
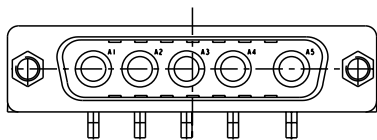
40 :Fitted with power contacts 40 Amp.

See note RoHS

TABLE 1:PCB HOLE DIAMETERS

P.C.B HOLE DEFINITION	SnPb holes for CONTACTS		Sn holes for CONTACTS		holes ACCESSORIES
	DRILL DIAMETER	Ø3.22 REF(NOTE 3)	Ø3.22 REF(NOTE 3)	Ø3.19-3.25	
(NOTE 1 AND 2)	DRILLED HOLE	Ø3.19-3.25	Ø3.19-3.25	Ø3.19-3.25	Ø3.10±0.10
	COPPER PLATING	25µ MINI (RECOMMENDED 50µ MAXI)	25µ MINI (RECOMMENDED 50µ MAXI)	25µ MINI (RECOMMENDED 50µ MAXI)	
	TIN-LEAD PLATING	15µ MAXI (RECOMMENDED 5µ MINI)			
	TIN PLATING		0.8 to 1,2µ		
	FINISH HOLE (AFTER REFLOW)	Ø 3.02-3.20	Ø3.08-3.20		

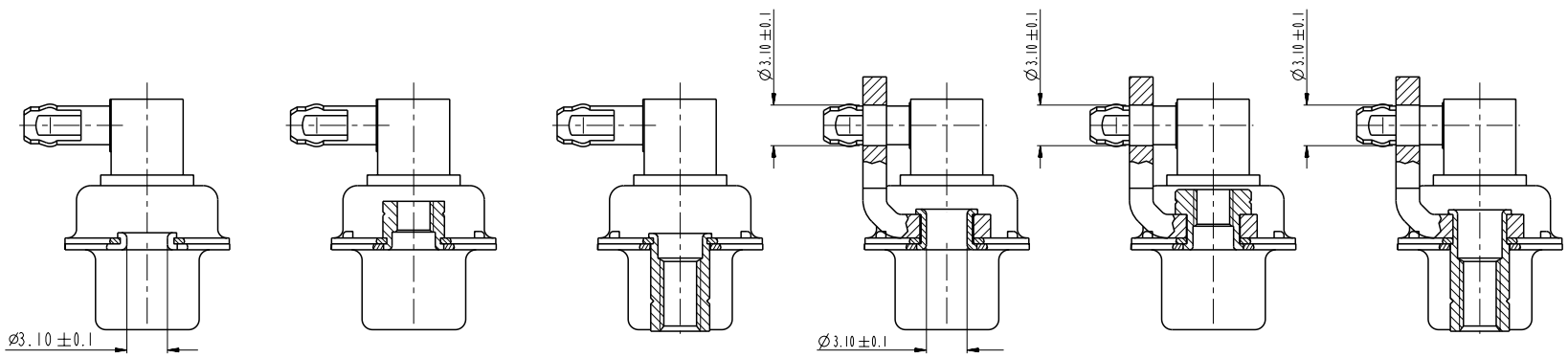
- NOTE-1:THESE DIMENSIONS MUST BE RESPECT TO SECURE PRESS-FIT PIN PERFORMANCES.
- NOTE-2: ACCORDING TO IEC-352-5 SPEC.
- NOTE-3: MAJOR REQUIREMENT FOR PRESS FIT PIN PERFORMANCE



5W5 FOR EXAMPLE

www.fciconnect.com		surface	tolerance	projection	size	Scale
Dr	M PESSON	11/10/05			A2	2:1
Eng	11/10/05	P LEGARE				
Chr				SEE NOTES	ECN	
Appr						
title		SUB MALE DW US foot print		deg no	C01-8639-2320	Rev. A
		full power right angled solder				
catalog no				CUSTOMER COPY		sheet 1 of 5

All rights are reserved. Reproduction or use in any manner is prohibited without the written permission of FCI. Copyright FCI.



FRONT ACCESSORY	Blank Without	L insert M3 O insert UNC 4.40	V insert UNC 4.40	Blank Without	L insert M3 O insert UNC 4.40	V insert UNC 4.40
PCB ACCESSORIES	A Without	A Without	A Without	M Metal brackets	M Metal brackets	M Metal bracket

This document contains confidential information. Reproduction, communication, distribution, or disclosure of this document is prohibited without the written permission of FCI. © FCI. All rights reserved.

A
FCI

All rights are reserved. Reproduction or disclosure of this document is prohibited without the written permission of FCI. © FCI. All rights reserved.

SCALE: 4

FCI www.fciconnect.com		surface <input checked="" type="checkbox"/>	tolerance	projection		
Dr	M PESSON	11/10/05	Product family	- size	A2	Scale 2:1
Eng	11/10/05	P LEGARE	Spec ref			
Chr			Material	SEE NOTES	ECN	
Appr						
Title SUB MALE DW US foot print				deg no	C01-8639-2320	Rev. A
catalog no				CUSTOMER COPY		sheet 2 of 5

PART NUMBER	AMPS	MATINGS/ UNMATINGS	FRONT ACCESSORY	PCB ACCESSORIES
D*xWxP80C5A40LF	40	200	without	without
D*LxWxP80C5A40LF	40	200	insert M3	without
D*OxWxP80C5A40LF	40	200	insert UNC 4.40	without
D*VxWxP80C5A40LF	40	200	female screw UNC 4.40	without
D*xWxP80C5M40LF	40	200	without	metal bracket
D*LxWxP80C5M40LF	40	200	insert M3	metal bracket
D*OxWxP80C5M40LF	40	200	insert UNC 4.40	metal bracket
D*VxWxP80C5M40LF	40	200	female screw UNC 4.40	metal bracket

shell size # LAYOUTS
xWx

E 2V2
A 3V3
A 3W3
B 5W5
C 8W8

PART NUMBER	AMPS	MATINGS/ UNMATINGS	FRONT ACCESSORY	PCB ACCESSORIES
D*xWxP80C6A40LF	40	500	without	without
D*LxWxP80C6A40LF	40	500	insert M3	without
D*OxWxP80C6A40LF	40	500	insert UNC 4.40	without
D*VxWxP80C6A40LF	40	500	female screw UNC 4.40	without
D*xWxP80C6M40LF	40	500	without	metal bracket
D*LxWxP80C6M40LF	40	500	insert M3	metal bracket
D*OxWxP80C6M40LF	40	500	insert UNC 4.40	metal bracket
D*VxWxP80C6M40LF	40	500	female screw UNC 4.40	metal bracket

All rights are reserved. Reproduction or use in any manner without the written permission of FCI is prohibited. FCI, Copyright © 2005.

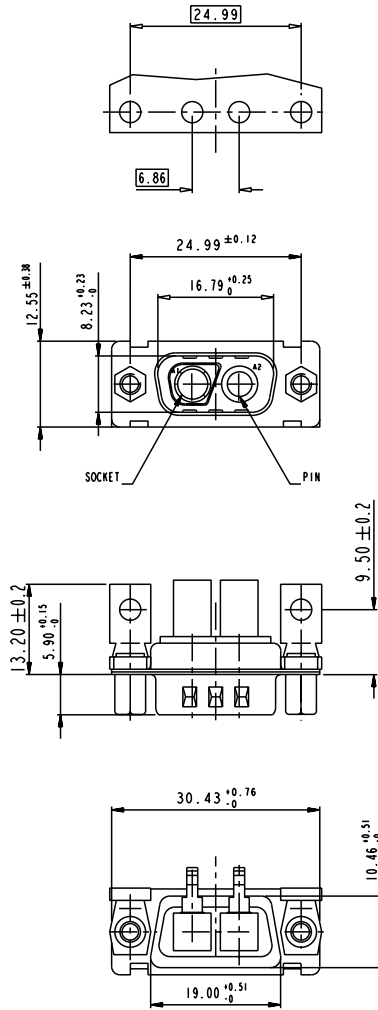
A
FCI

All rights are reserved. Reproduction or use in any manner without the written permission of FCI is prohibited. FCI, Copyright © 2005.

FCI www.fciconnect.com		surface <input checked="" type="checkbox"/>	tolerance	projection
Dr M PESSON	11/10/05	Product family	size A2	Scale 2:1
Eng 11/10/05	P LEGARE	Spec ref	Material	ECN
Chr		SEE NOTES		
Appr				
Title SUB MALE DW US foot print		dag no C01-8639-2320	Rev. A	
catalog no		CUSTOMER COPY		sheet 3 of 5

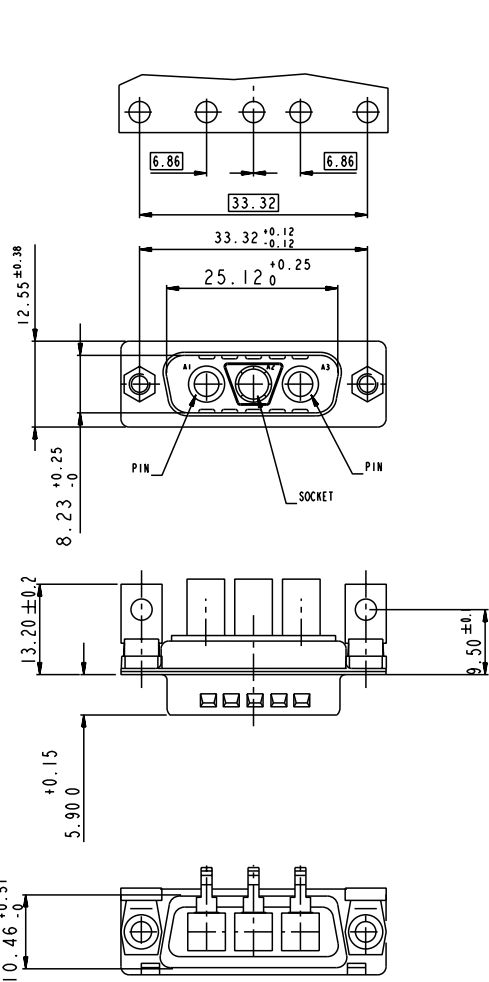
2V2

LAYOUT AND CONNECTOR DIMENSIONS
For PCB hole diameters see table I sheet I



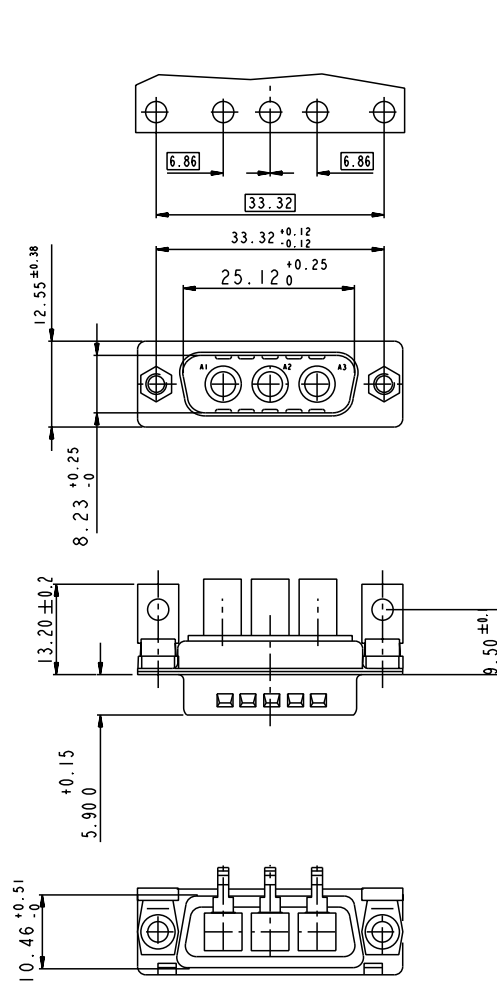
3V3

LAYOUT AND CONNECTOR DIMENSIONS
For PCB hole diameters see table I sheet I

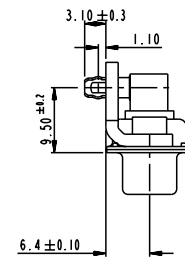


3W3

LAYOUT AND CONNECTOR DIMENSIONS
For PCB hole diameters see table I sheet I



SIDE VIEW FOR ALL LAYOUTS



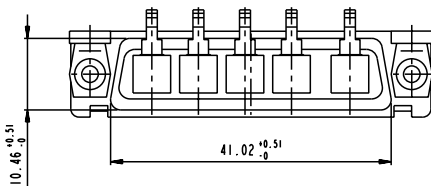
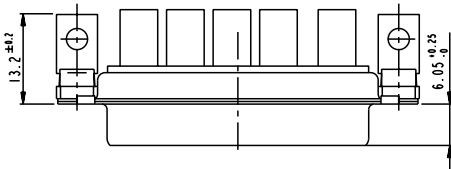
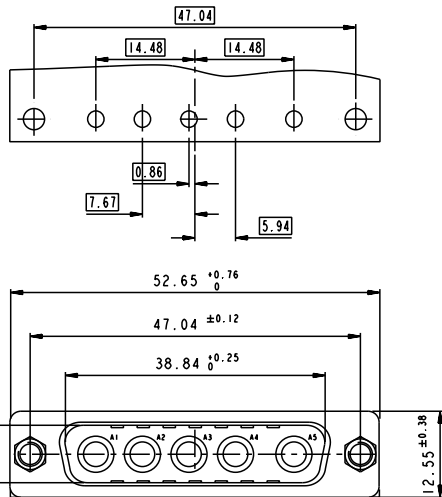
This drawing is the property of FCI. All rights reserved. Reproduction or use in any manner without the written permission of FCI is prohibited.

FCI

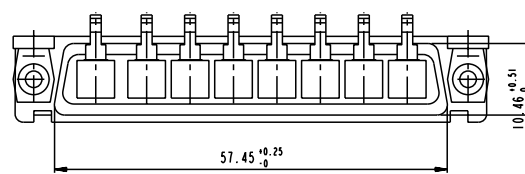
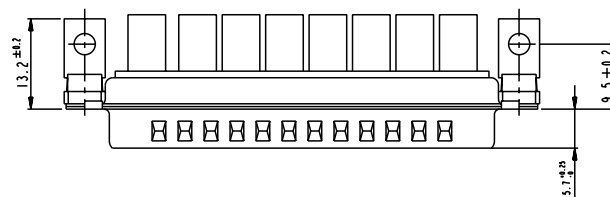
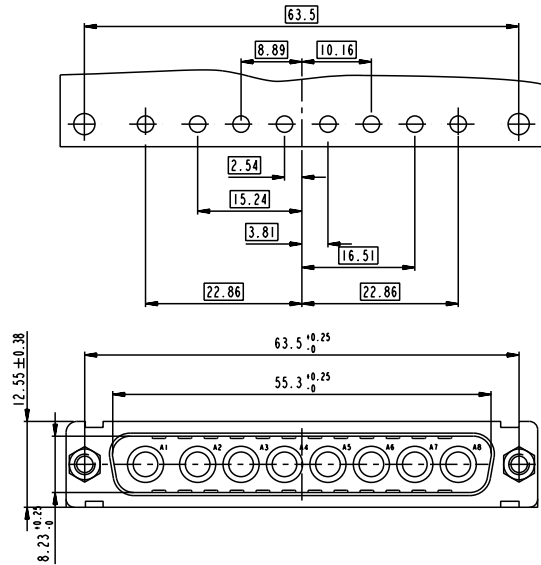
This drawing is the property of FCI. All rights reserved. Reproduction or use in any manner without the written permission of FCI is prohibited.

FCI www.fciconnect.com		surface	tolerance	projection		
Dr	M PESSON	11/10/05	Product family	-	size	Scale
Eng	11/10/05	P LEGARE	Spec ref		A2	2:1
Chr			Material	SEE NOTES	ECN	
Appr						
Title				part no	Rev.	
SUB MALE DW US foot print				C01-8639-2320	A	
catalog no				CUSTOMER COPY	sheet 4 of 5	

5W5
LAYOUT AND CONNECTOR DIMENSIONS
 For PCB hole diameters see table 1 sheet 1



8W8
LAYOUT AND CONNECTOR DIMENSIONS
 For PCB hole diameters see table 1 sheet 1



This drawing is the property of FCI. All rights reserved. Reproduction or use without the written permission of FCI is prohibited.

FCI

This drawing is the property of FCI. All rights reserved. Reproduction or use without the written permission of FCI is prohibited.

FCI www.fciconnect.com		surface <input checked="" type="checkbox"/>	tolerance	projection
Dr M PESSON	11/10/05	Product family		size A2
Eng 11/10/05	P LEGARE	Spec ref		Scale 2:1
Chr		Material		ECN
Appr		SEE NOTES		
Title SUB MALE DW US foot print				Rev. A
full power right angled solder				deg no C01-8639-2320
catalog no				CUSTOMER COPY sheet 5 of 5