

MTG-GL-177

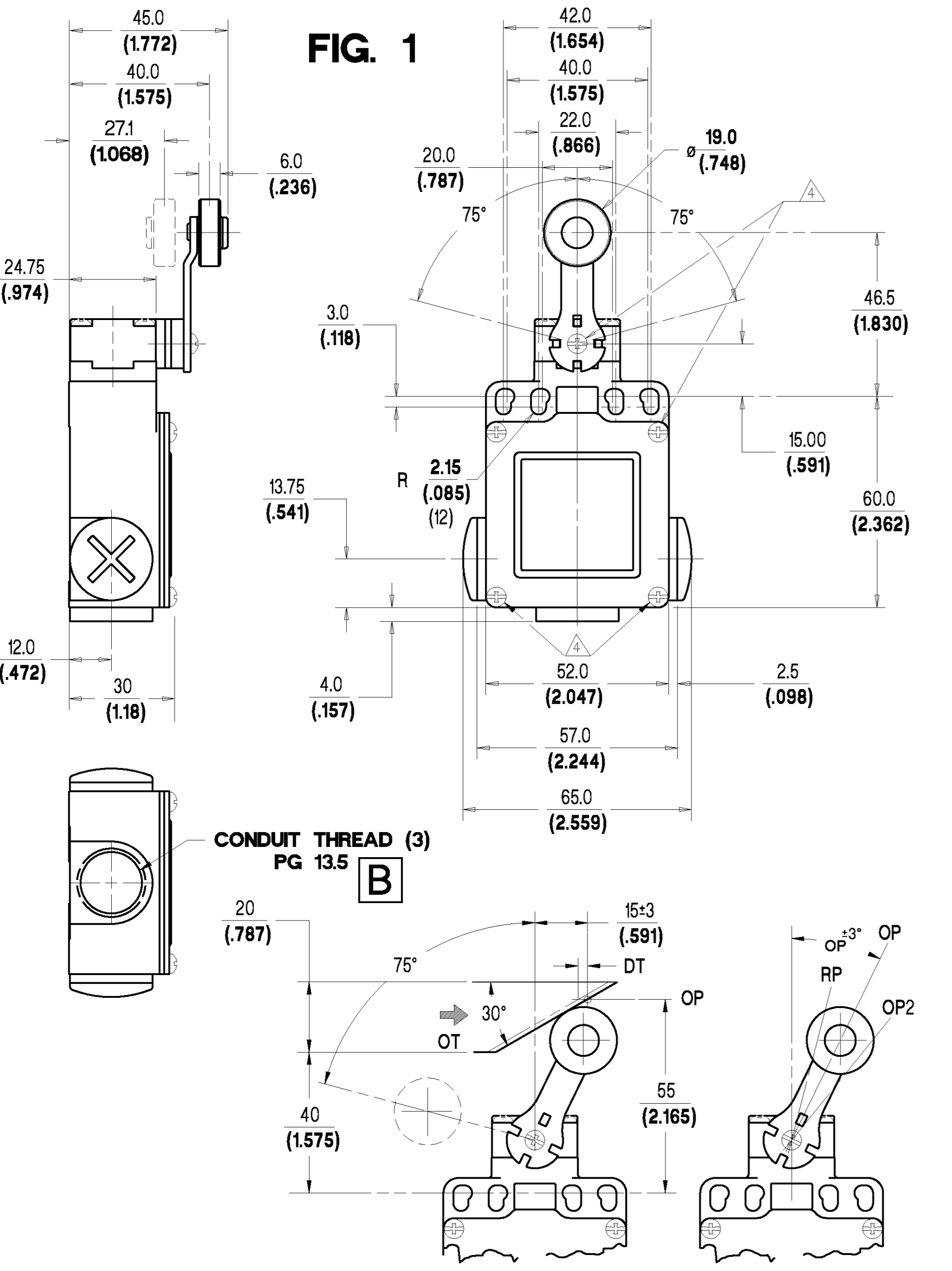
REPLACES
DRAWING NUMBER
AO18-3B

REVISIONS

6	9/96
7	12/96
8	7/97
9	8/97
10	2/98
11	CO/395
12	6/98

Honeywell **LIMIT SWITCH**

CATALOGUE LISTING
GLS
CHART NO.
MTG-GL-177

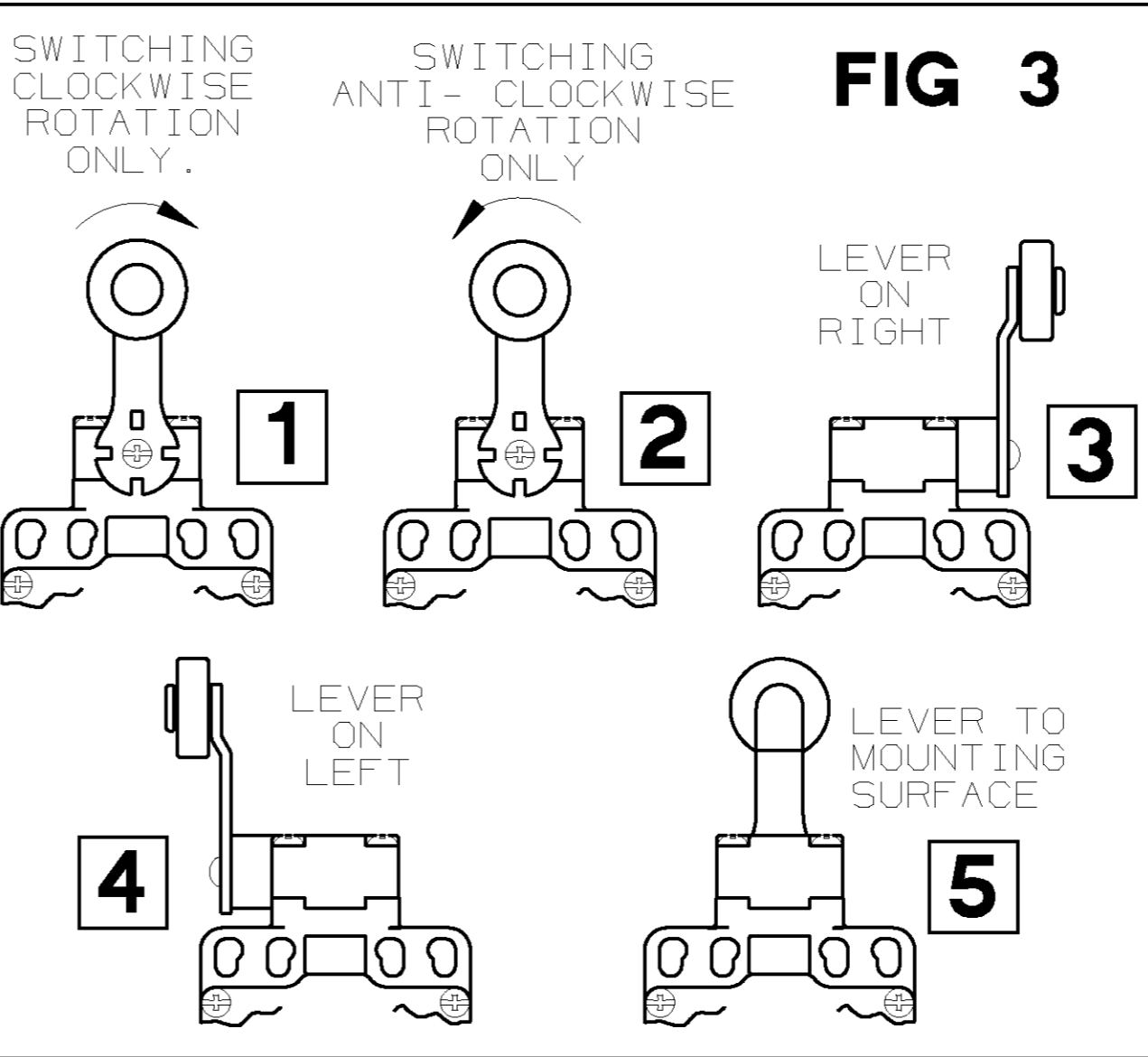
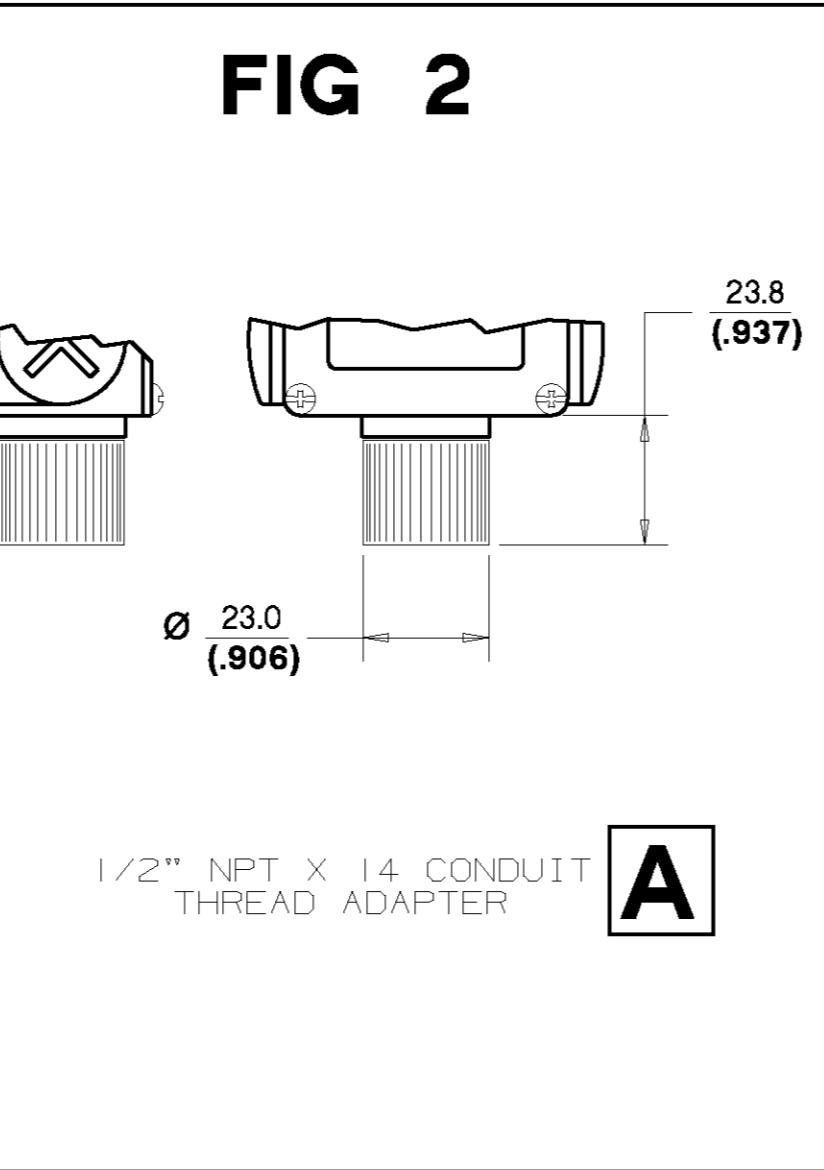
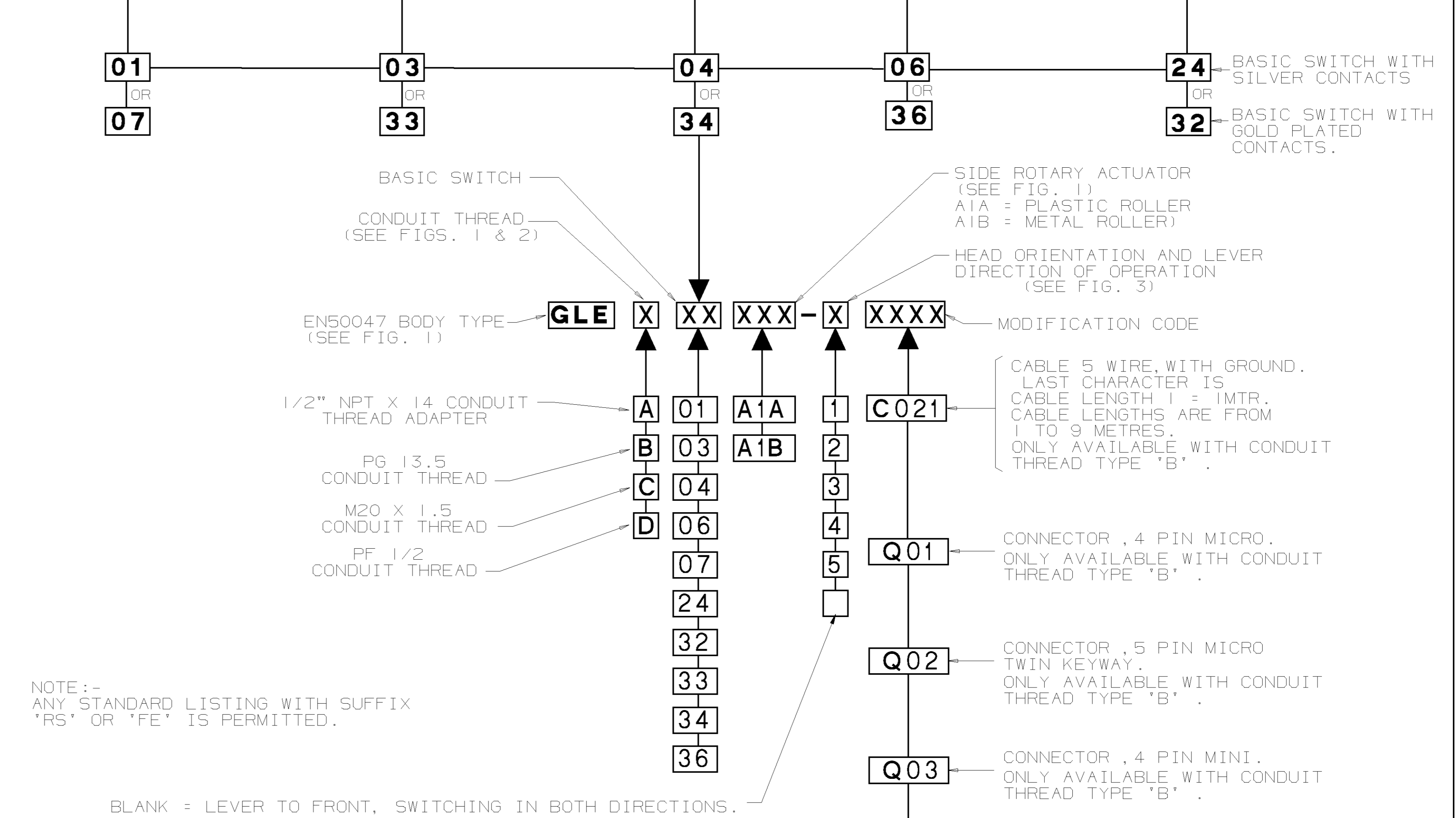


NOTES:-

- ZINC DIECAST BODY AND HEAD WITH STEEL COVER. BODY AND COVER FINISHED IN MICRO SWITCH BLUE EPOXY PAINT. HEAD FINISHED IN BLACK EPOXY PAINT.
- MINIMUM OPERATING VELOCITY (V_{min}) = 2.0 MM/S (THESE LIMITS APPLY TO CAM OPERATION AS SHOWN IN THE ABOVE DIAGRAMS ONLY)
MAXIMUM OPERATING VELOCITY (V_{max}) = 200 MM/S
MAXIMUM OPERATING FREQUENCY (F_{max}) = 250 OPS/MIN
- FREE POSITION (FP), OPERATING POINT (OP), OVERTRAVEL (OT) AND PRETRAVEL (PT) ALL TO EN50047.
- MAXIMUM TIGHTENING TORQUE FOR FIXING SCREW = 0.5Nm (4.4in.LB)

NO CHANGES CAN BE MADE TO THIS DRAWING WITHOUT JOINT NEWHOUSE/FREEPORT APPROVAL

SNAP-ACTION CONTACTS	SLOW-ACTION CONTACTS (BREAK BEFORE MAKE)	SLOW-ACTION CONTACTS (MAKE BEFORE BREAK)	SLOW-ACTION CONTACTS (2 NORMALLY CLOSED)	SNAP-ACTION CONTACTS (DOUBLE POLE)	CONTACT BLOCK DIAGRAM TERMINAL DESIGNATION TO EN 50013
21-22 13-14 FP OP DT= 9.8mm OT RP=5.2mm FP = 0° OP = 26° RP = 14.5° DT = 115° * = 54° OT = 61° to 75°	21-22 13-14 FP OP * OP2 OT FP = 0° OP = 23° * = 34° OP2 = 36° OT = 61° to 75°	21-22 13-14 FP OP OP2 * OT FP = 0° OP = 26° * = 50.5° OP2 = 39° OT = 61° to 75°	11-12 21-22 FP OP * FP = 0° OP = 26° * = 46.5° OT = 61° to 75°	13 14 21 22 FP OP DT= 6.6mm * OT FP = 0° OP = 26° RP = 18° DT = 8° * = 54° OT = 61° to 75°	NOMINAL TRAVELS AND RELATED TERMINALS CONTACT CLOSED CONTACT OPEN * POSITIVE OPENING TO IEC 947-5-1
120 (1.1)	110 (1.0)	110 (1.0)	110 (1.0)	165 (1.5)	NORMAL OPERATING TORQUE MAX
140 (1.3)	160 (1.5)	170 (1.6)	150 (1.4)	165 (1.5)	MAXIMUM DISCONNECT TORQUE



NOTE:- FOR CONNECTION DIAGRAMS AND ADDITIONAL ELECTRICAL, ENVIRONMENTAL & DIMENSIONAL INFORMATION SEE DRAWING GL-49212.

NOTE:- CABLE AND CONNECTOR WILL BE FITTED TO BOTTOM EXIT CONDUIT ONLY. OTHER OPTIONS CUSTOMER SPECIAL 'N' LISTING.

3/93	3/93	3/93	STANDARD SILVER CONTACTS	GOLD PLATED CONTACTS	ENVIRONMENTAL	APPROVALS
3/93	3/93	3/93	ELECTRICAL RATING	ELECTRICAL RATING	ENVIRONMENTAL	APPROVALS
AC	DC					
A300 AC15 Ue 1e	O300 DC13 Ue 1e					
VOLTS AMPS 120 6 240 3	VOLTS AMPS 125 0.55 250 0.27					
			$I_{th} = 10A$	IP66 NEMA 1, 4, 12, 13		
			IV 10µA MIN. 50V 100mA MAX.	TEMP RANGE : -25°C TO 85°C -13°F TO 185°F STORAGE : -40°C TO 85°C -40°F TO 185°F		
				SHOCK : 50G PER IEC 68-2-27 VIBRATION : 10G PER IEC 68-2-6		
						IEC 947-5-1 EN50047
THE COPYRIGHT OF THIS DRAWING IS THE PROPERTY OF HONEYWELL LTD. THE DRAWING IS SUPPLIED IN CONFIDENCE AND MUST NOT BE USED FOR ANY PURPOSE OTHER THAN THAT FOR WHICH IT IS SUPPLIED.			THIRD ANGLE PROJECTION	SCALE	DIMENSIONS ARE IN MM/INCHES.	MODIFY ON CAD/3D SYSTEM ONLY