

| PAD | CONNECTION |
|-----|----------------|
| 1 | Enable/Disable |
| 2 | Not connected |
| 3 | Ground |
| 4 | Output 1 |
| 5 | Output 2 |
| 6 | Supply |

Scale 2:1

Features

- ▄▄▄▄ **Differential outputs**
- ▄▄▄▄ **Enable / disable tristate function**
- ▄▄▄▄ **Power saving function**
- ▄▄▄▄ **Fast rise / fall times**

Standard Frequencies

| Frequencies in MHz | |
|--------------------|----------|
| 100.0000 | 125.0000 |
| 106.2500 | 155.5200 |
| 108.0000 | 156.2500 |

Other frequencies available. Please consult our sales office.

Specifications

| Parameters | Product | Option Codes |
|------------------------------------|---------------------------------------|-----------------------|
| | GXO-L71 | |
| Frequency range: | 75.0 ~ 270MHz | ■ |
| Frequency stability*: | ±100ppm ±50ppm ±25ppm | ■ □ □ B A |
| Operating temperature range: | -10 to +70°C -40 to +85°C | ■ □ I |
| Storage temperature range: | -55 to +125°C | ■ |
| Supply voltage (V _{DD}): | +3.3V (±5%) | ■ |
| Supply current: | 66mA max | ■ |
| Output: | LVDS | ■ |
| Offset voltage: | 1.25V typ | ■ |
| Differential output voltage: | 0.247V ~ 0.454V (0.33V typ) | ■ |
| Output load: | 100Ω | ■ |
| Start up time: | 10ms max | ■ |
| Waveform symmetry: | 45:55 max @ 50%V _{p,p} | ■ |
| Rise / fall time: | 0.7ns max (20 ~ 80%V _{p,p}) | ■ |
| Enable / disable function: | Tristate (control via pad 1) | ■ |
| Output enable / disable time: | 10 ms / 200ns max | ■ |
| Stand-by current: | 30µA max | ■ |
| Phase jitter RMS: | 1ps max, 12kHz~20MHz | ■ |

■ Standard. □ Optional - Please specify required code(s) when ordering

* Frequency stability is inclusive of calibration @ 25°C, operating temperature range, supply voltage change, load change, ageing, shock and vibration.

Ordering Information

Product name + option codes (if any) + frequency

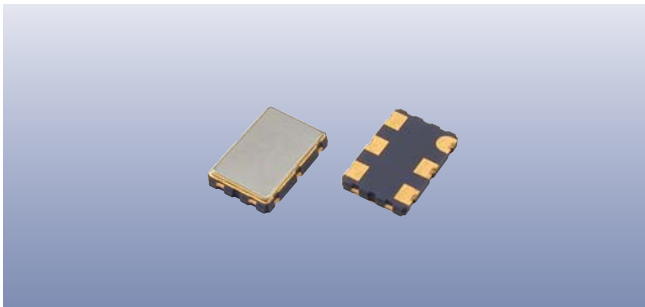
eg: **GXO-L71 80.0MHz** ±100ppm -10+70°C

GXO-L71/BI 125.0MHz ±50ppm -40+85°C

Option code X (eg GXO-L71/X) denotes a custom spec.

Enable / Disable Function

| Input (pad 1) | Output 1 (pad 4) | Output 2 (pad 5) |
|--|--------------------------------------|--------------------------------------|
| Open '1' level (≥0.7V _{DD}) '0' level (≤0.3V _{DD}) | Enabled Enabled High Impedance | Enabled Enabled High Impedance |



Construction

- ▬▬▬ *Ceramic body with gold-plated pads*
- ▬▬▬ *Metal lid, seam sealed*

Composition



This product is lead-free, and is fully compliant with the RoHS directive 2002/95/EC



Packaging & Handling

Production quantities supplied on T & R, 2k pcs per reel.
Small quantities may be supplied on tape (no reel), or in bulk.



◆ Static sensitive product. Observe proper handling precautions

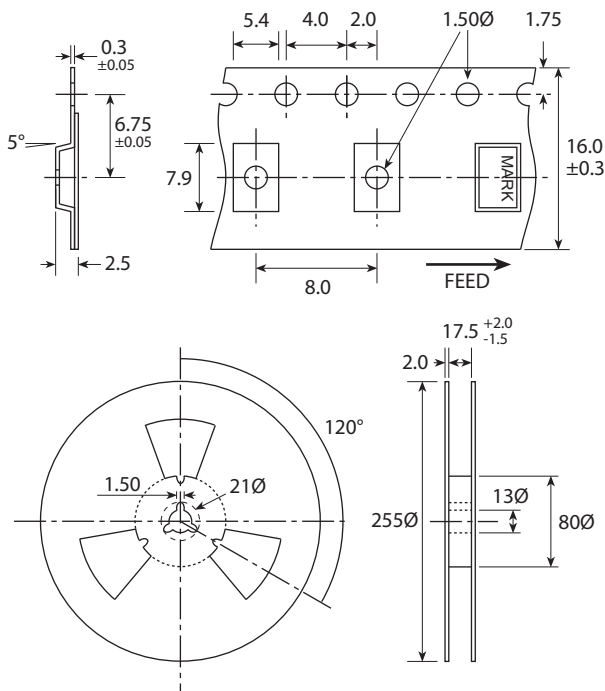
Marking

GOLLEDGE
FREQUENCY
PARTNO DC

- Pin 1
- Marking type: Laser
- DC = Date code in YM, eg "CE" = May 2003

| | | | | | | | | | | | | |
|---|-----|-----|-----|-----|-----|-----|-----|-----|-----|-----|-----|-----|
| | A | B | C | D | E | F | G | H | J | K | L | M |
| Y | 1 | 2 | 3 | 4 | 5 | 6 | 7 | 8 | 9 | 0 | | |
| M | Jan | Feb | Mar | Apr | May | Jun | Jul | Aug | Sep | Oct | Nov | Dec |

Tape & Reel Specification



Not to scale. Dimensions in mm. Tolerances ±0.1mm unless otherwise stated

Soldering Profile

