

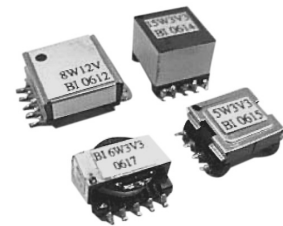
Electrical / Environmental

- Operating Temperature Range -40°C to +125°C
- Power Rating 5W to 40W
- Topology Flyback
- Isolation Voltage 1500Vrms



HM110

High Frequency Surface Mount Power Over Ethernet Transformers



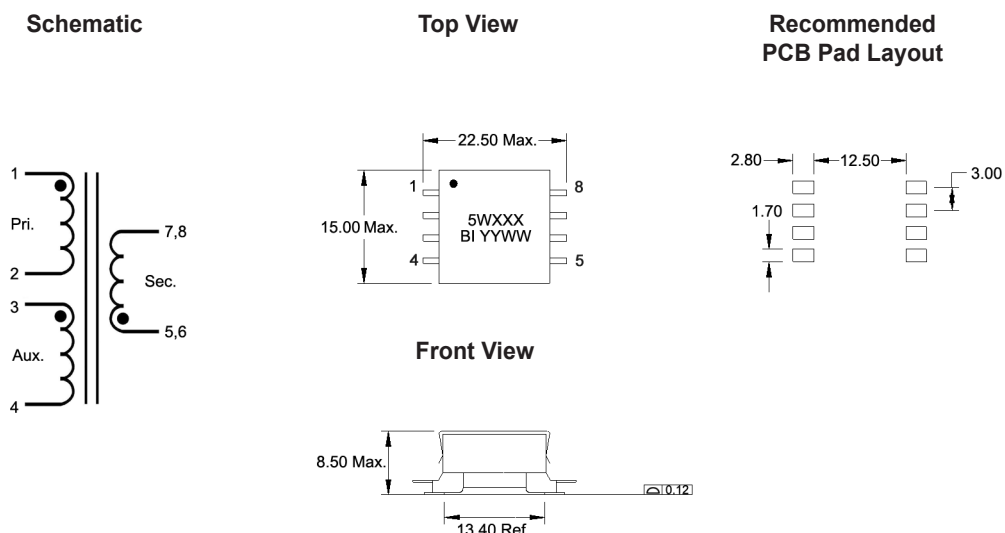
Specifications @ 25°C

Part Number	Power Rating (W)	Output ⁽¹⁾		Turns Ratio			Inductance 100kHz, 0.1V @ 0A μ H Typ.	Leakage Inductance ⁽²⁾ 100kHz, 0.1V μ H Typ.	Peak Pri. Current (A)	DCR m Ω Max.			Fig.
		V _o (V)	I _o (A)	Pri.	Sec.	Aux.				Pri.	Sec.	Aux.	
HM110-5W3V3LF	5	3.3	1.52	1	0.156	0.578	180	1.50	0.65	600	16.0	600	1
HM110-5W5VLF	5	5	1.0	1	0.244	0.578	180	1.40	0.65	600	40.0	600	1
HM110-5W12VLF	5	12	0.42	1	0.578	0.578	180	1.50	0.65	600	213	600	1
HM110-6W3V3LF	6	3.3	2.0	1	0.100	0.400	120	1.50	0.65	600	7.0	250	2
HM110-8W3V3LF	8	3.3	2.42	1	0.176	0.588	100	1.00	1.00	255	8.0	500	3
HM110-8W5VLF	8	5	1.6	1	0.265	0.588	100	1.00	1.00	255	15.0	500	3
HM110-8W12VLF	8	12	0.66	1	0.588	0.588	100	1.00	1.00	255	75.0	500	3
HM110-15W3V3LF	15	3.3	4.55	1	0.143	0.500	70	1.00	1.65	123	8.5	360	4
HM110-15W5VLF	15	5	3.0	1	0.250	0.500	70	0.81	1.65	123	10.5	360	4
HM110-15W12VLF	15	12	1.25	1	0.500	0.500	70	1.00	1.65	123	42.0	360	4
HM110-30W5VLF	30	5	6.0	1	0.125	0.375	38	1.50	3.00	75	4.5	127	5
HM110-40W5VLF	40	5	8.0	1	0.158	0.368	30	1.50	4.00	65	3.0	127	6

Notes: (1) The switching frequency of the transformer is 250kHz.
(2) Leakage inductance is measured at primary with all other windings shorted.

Outline Dimensions (mm) / Schematics

Figure 1



Outline Dimensions (mm) / Schematics (Cont'd)

Figure 2

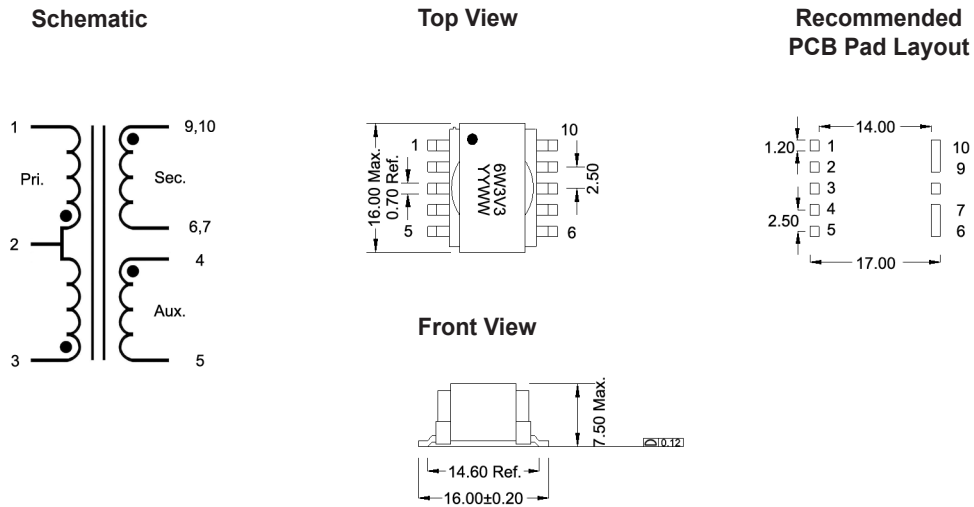


Figure 3

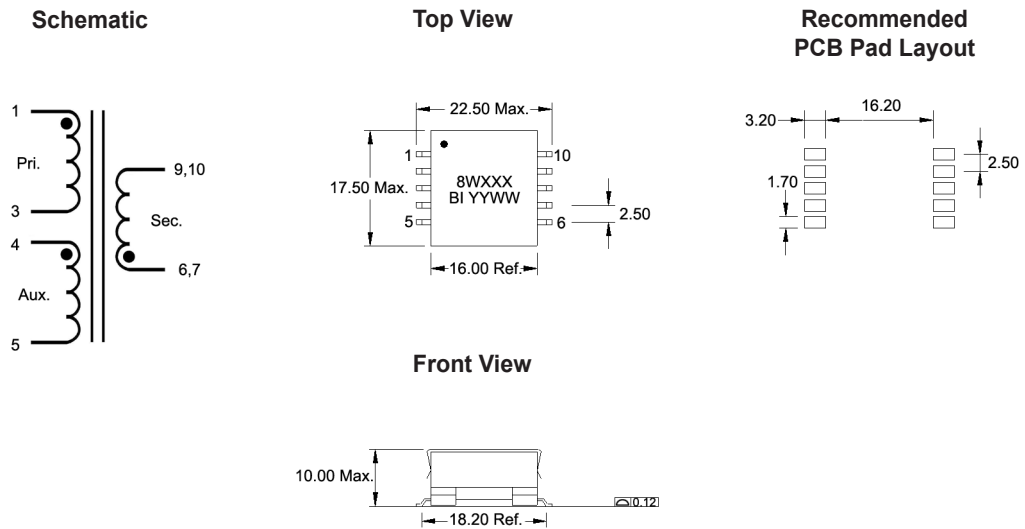
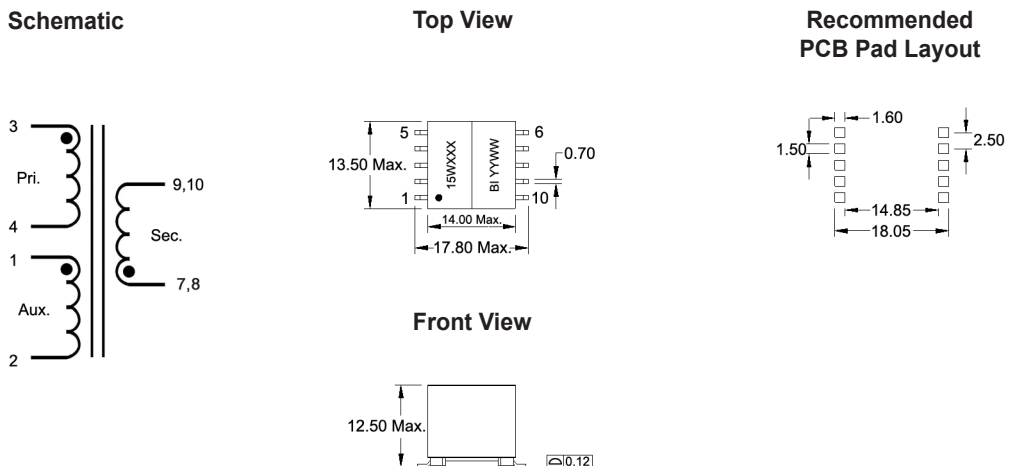


Figure 4



Outline Dimensions (mm) / Schematics (Cont'd)

Figure 5

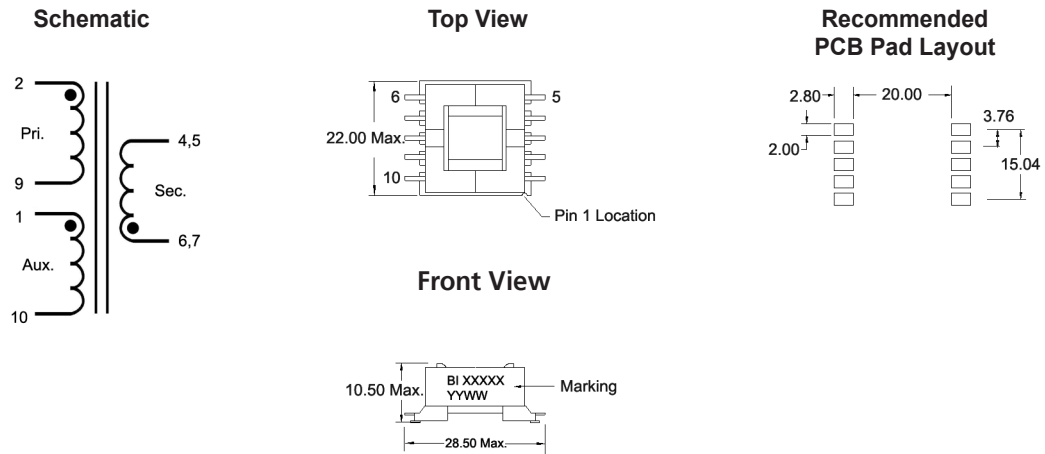
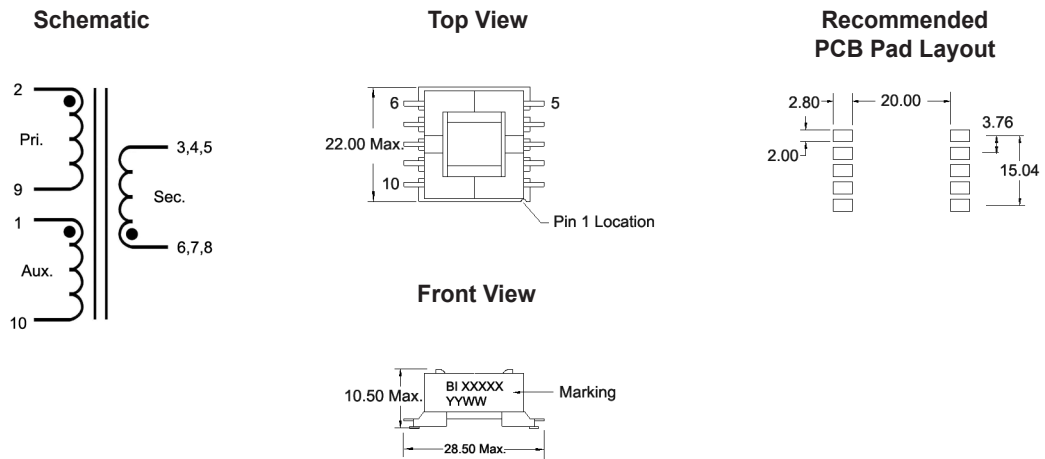


Figure 6



Packaging

Standard: Embossed Tape & Reel

Power Series	13" Reel Capacity	Carton Box Capacity
5 W	200	1000
6 W	200	1000
8 W	200	1000
15 W	200	1200
30 W	150	750
40 W	150	750

Ordering Information

