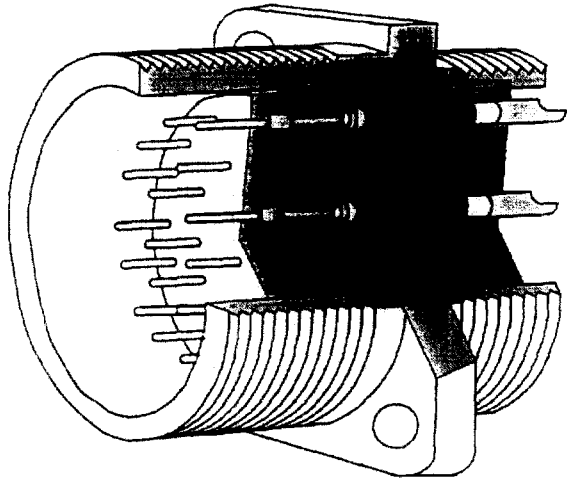
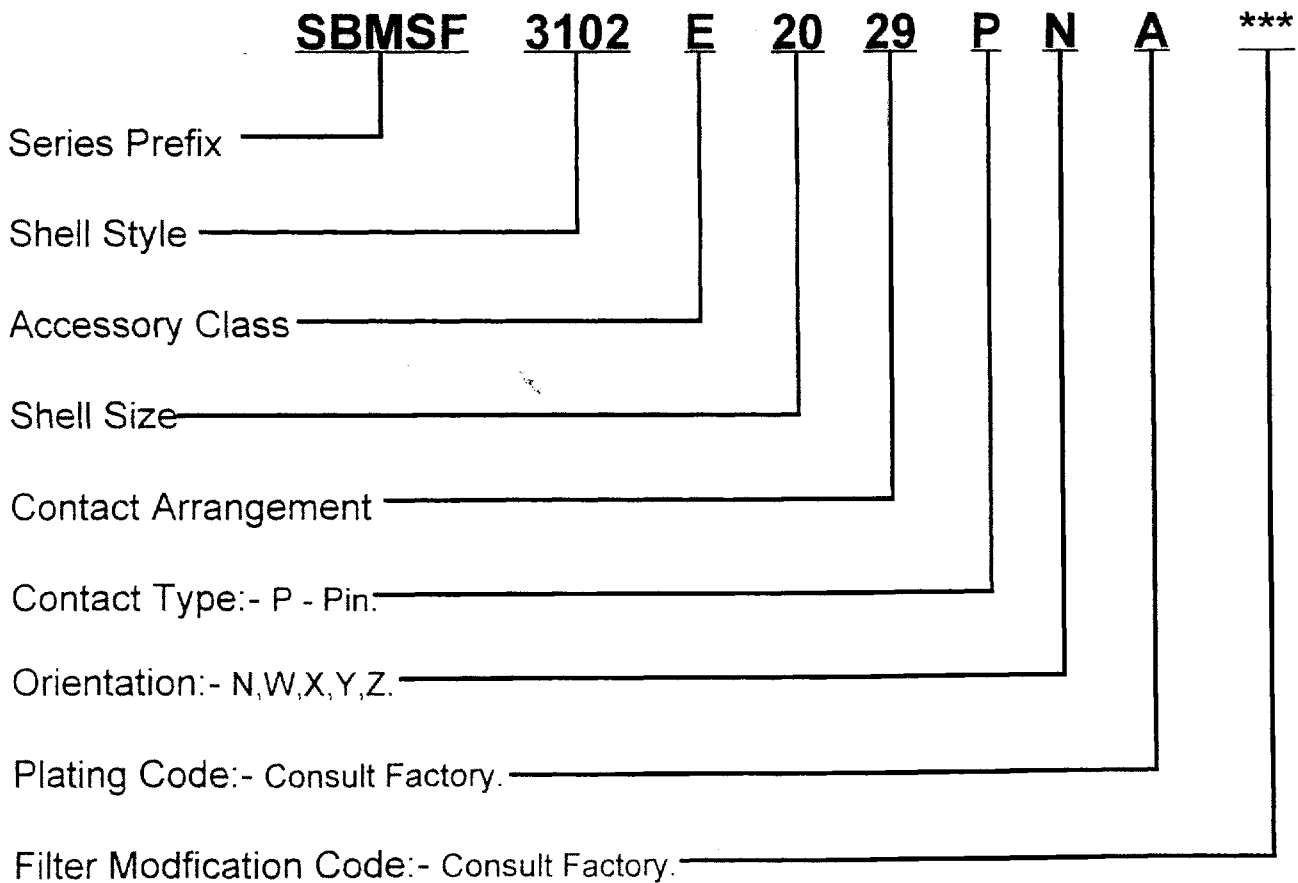


SB-MS Filter Connectors

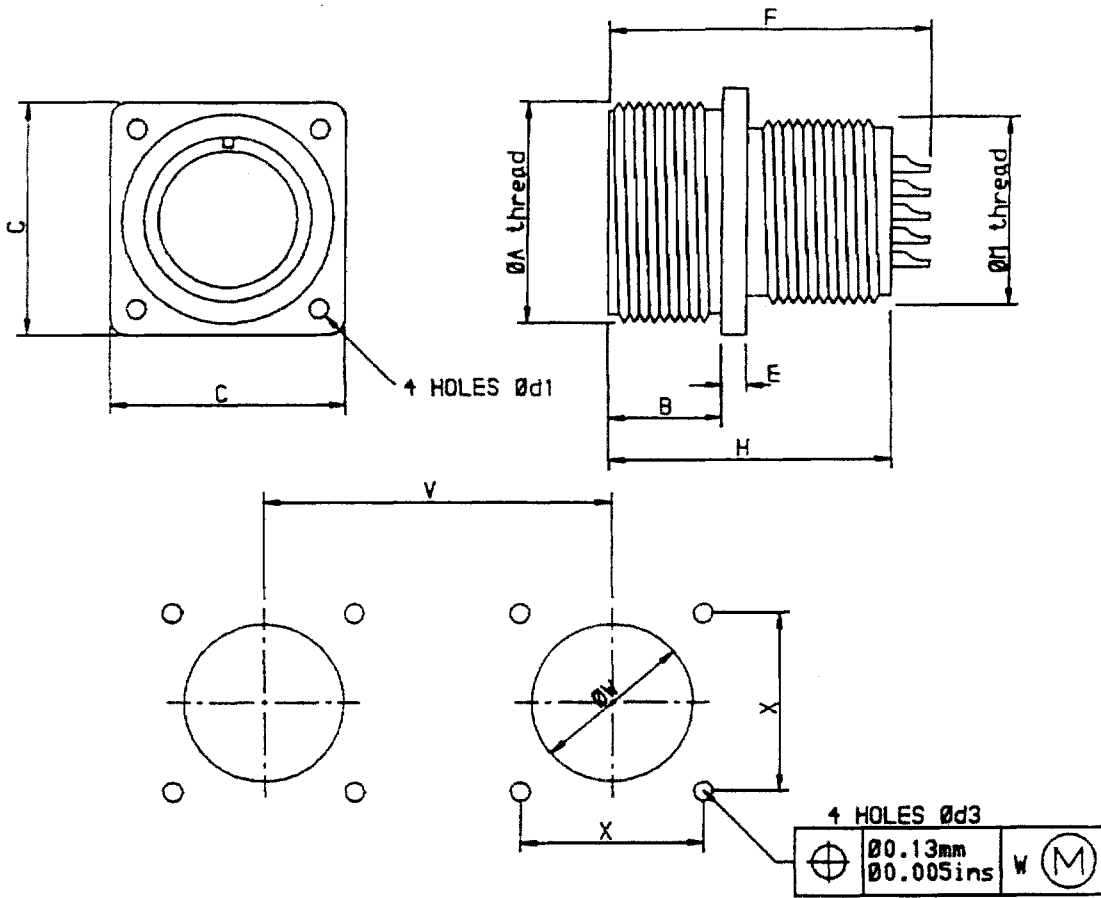
- * Intermateable with industry standard MS 5015 threaded connectors.
- * Tubular or planar technology.
- * Higher reliability and greater durability.
- * Uses proven filter technology.
- * Up to 37 contacts.
- * Solder bucket terminations.



Ordering Information



Style:-SBMSF 3102E Filter Receptacle. Square Flange Mounting With Accessory Thread.



Shell size	A Thread	B typ	C typ	d1	E typ	F max	M thd	H max	d3 H13	V	W	X
10SL	.625 x 24	14.3	25.4	3.2	1.78	41.8	.625 x 24	36.8	3.05	25.4	16.3	18.3
12S	.750 x 20	14.3	27.8	3.2	2.29	41.8	.625 x 24	36.8	3.05	27.8	16.3	20.6
14S	.875 x 20	14.3	30.2	3.2	2.29	41.8	.750 x 20	36.8	3.05	30.2	19.4	23.0
16S	1.000 x 20	20.9	32.5	3.2	2.29	49.4	.875 x 20	44.4	3.05	32.5	22.6	24.6
16	1.000 x 20	20.9	32.5	3.2	2.92	49.4	.875 x 20	44.4	3.05	32.5	22.6	24.6
18	1.125 x 18	20.9	34.9	3.2	2.92	49.4	1.000 x 20	44.4	3.05	34.9	25.8	27.0
20	1.250 x 18	20.9	38.1	3.2	2.92	49.4	1.125 x 18	44.4	3.05	38.1	29.0	29.4
22	1.375 x 18	20.9	41.3	3.7	2.92	49.4	1.250 x 18	44.4	3.05	41.3	32.1	31.8
24	1.500 x 18	20.9	44.5	3.7	2.92	49.4	1.375 x 18	44.4	3.73	44.5	35.3	34.9
28	1.750 x 18	20.9	50.8	4.3	2.92	49.4	1.625 x 18	44.4	3.73	50.8	41.7	39.7
32	2.000 x 18	20.9	57.2	4.3	2.92	49.4	1.876 x 16	44.4	3.73	57.2	48.0	44.5

All dimensions in mm unless otherwise stated