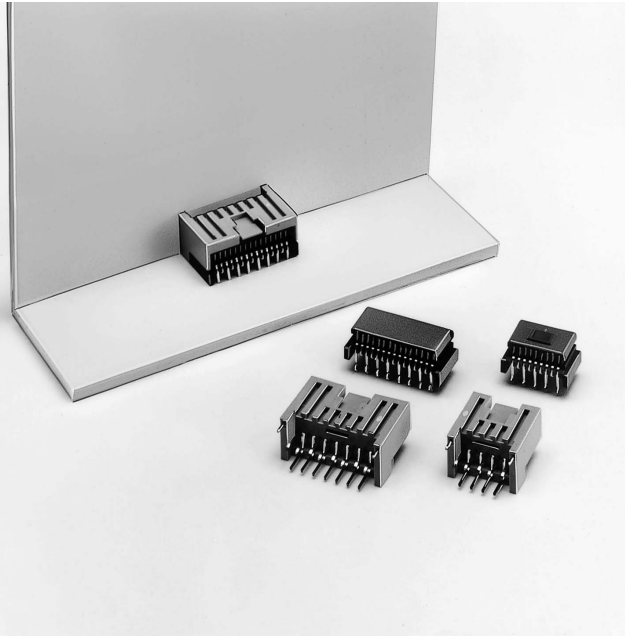
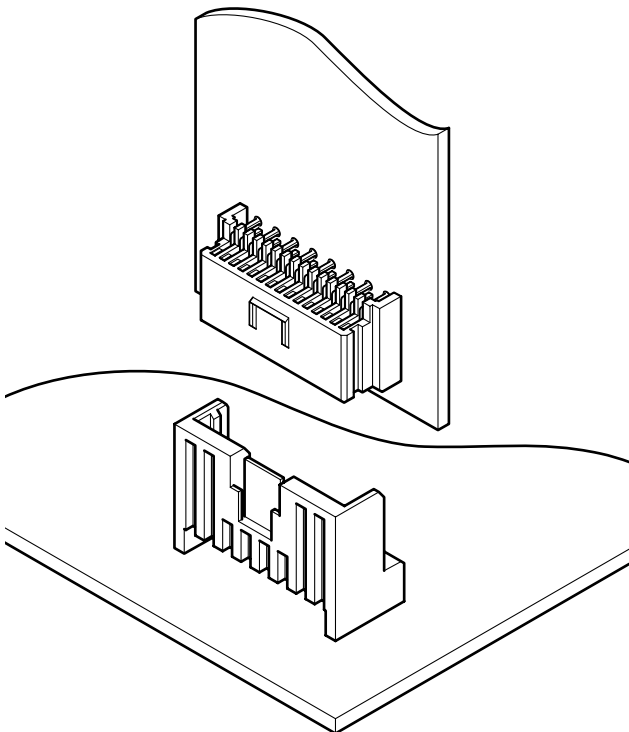


JET CONNECTOR

Self-supporting style Board-to-board Connectors



Self-supporting style board to board connectors. Both plugs and receptacles are supplied radial-tape mounted (conforming to JIS C 0805 tape specification), which can be mounted by versatile, radial component pick and place machines. Automatic mounting is possible up to 15 circuits.



Features

- **Good connection is assured even after severe shock & vibration**

Because of their construction, even severe shocks and long periods of vibration will not cause circuit interruption. Both secure lock and friction lock connectors are available.

- **Correct and secure mating**

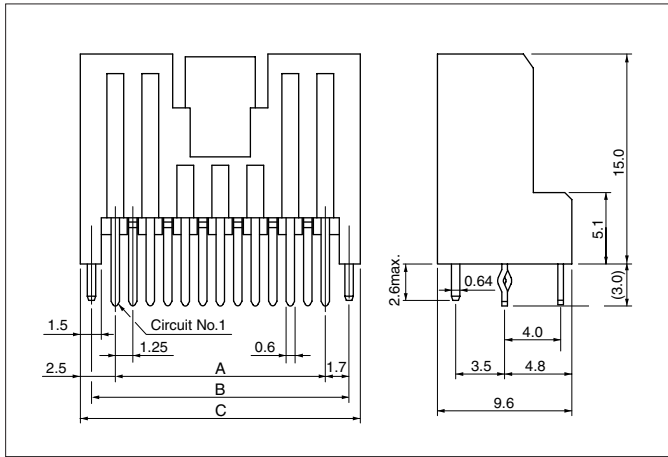
The connector halves can be easily mated, yet have a high retention force because of the housing lock mechanism.

Specifications

- Current rating: 1.0A AC, DC
- Voltage rating: 50V AC, DC
- Temperature range: -25°C to +85°C
(including temperature rise in applying electrical current)
- Contact resistance: Initial value/30m Ω max.
After environmental testing/40m Ω max.
- Insulation resistance: 500M Ω min.
- Withstanding voltage: 500V AC/minute
- Applicable PC board thickness: 1.6mm
- * Compliant with RoHS.
- * Refer to "General Instruction and Notice when using Terminals and Connectors" at the end of this catalog.
- * Contact JST for details.

JET CONNECTOR

Plug



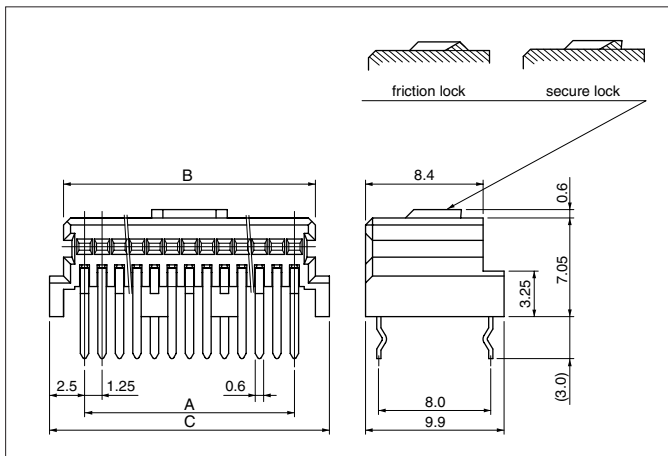
Circuits	Model No.	Dimensions (mm)			Qty / box
		A	B	C	
9	09P-JET	10.0	13.4	15.0	280
15	15P-JET	17.5	20.9	22.5	168

Material and Finish

Contact: Brass, copper-undercoated, tin-plated(reflow treatment)
Housing: Glass-filled PA 66, UL94V-0

RoHS compliance This product displays (LF)(SN) on a label.

Receptacle



Circuits	Model No.		Dimensions (mm)			Qty / box
	friction lock type	secure lock type	A	B	C	
9	09R-JET-F	09R-JET-P	10.0	13.0	15.0	420
15	15R-JET-F	15R-JET-P	17.5	20.5	22.5	392

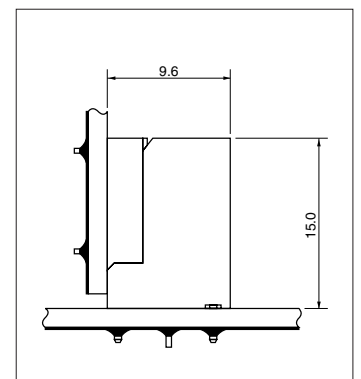
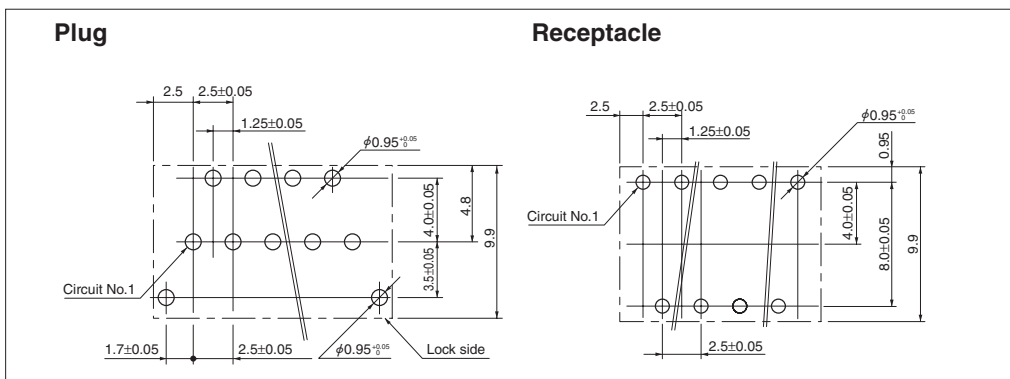
Material and Finish

Contact: Phosphor bronze, copper-undercoated, tin-plated(reflow treatment)
Housing: Glass-filled PA 66, UL94V-0

RoHS compliance This product displays (LF)(SN) on a label.

PC board layout (viewed from component side)

Assembly layout



Note:

1. Tolerances are non-cumulative: $\pm 0.05\text{mm}$ for all centers.
2. Hole dimensions differ according to the kind of PC board and piercing method. The dimensions above should serve as a guideline. Contact JST for details.