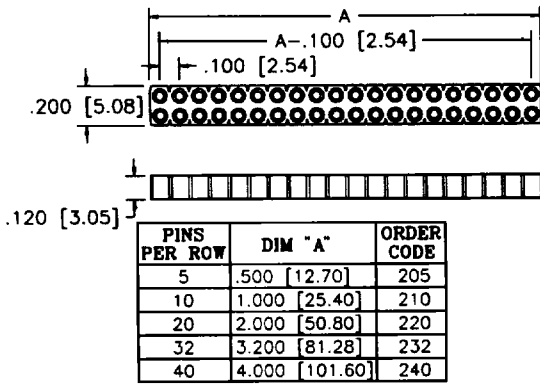


# SERIES 351 TWIN STRIP SOCKET

## 355 TWIN STRIP COMPONENT ADAPTER

### TWIN STRIP WAFER



\* OTHER PIN QUANTITIES AVAILABLE

### SERIES 351 TERMINALS

TERMINAL CHART			
TERMINAL	FIG.	DIM "A"	DIM "B"
-01	D	.115 [2.92]	.020 [0.51]
-02	C	.370 [9.40]	.025 [0.64]
-03	C	.510 [12.95]	.025 [0.64]
-08	D	.170 [4.31]	.020 [0.51]
-09	D	.280 [7.11]	.020 [0.51]
-11	D	.135 [3.43]	.020 [0.51]
-94	D	.125 [3.17]	.018 [0.46]

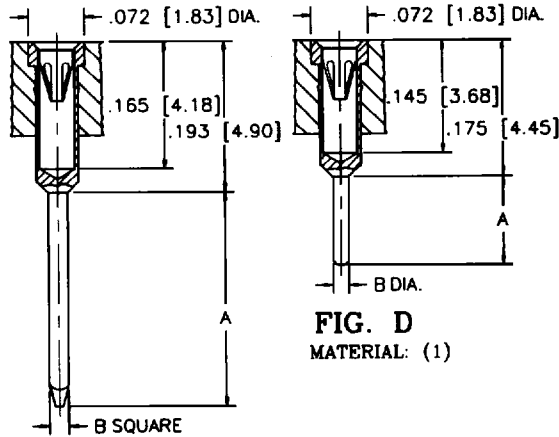


FIG. C  
MATERIAL: (1)

FIG. D  
MATERIAL: (1)

### TECHNICAL SPECIFICATIONS

**MATERIAL**  
INSULATOR GLASS FILLED POLYESTER  
UL 94V-0 LISTED

**TERMINAL MATERIAL:**(1) BRASS PER ASTM-B16  
MATERIAL:(2) PHOSPHOR BRONZE  
PER ASTM-B139

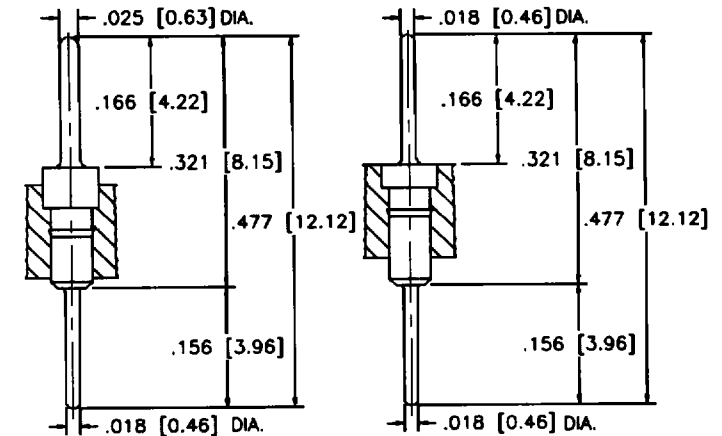
**CONTACT** BeCu PER ASTM-B194

**OPERATING TEMP.** -65°C TO +125°C

**CONTACT FORCES**  
INSERTION STANDARD 9 oz. AVG.  
WITHDRAWAL STANDARD 2 oz. MIN.

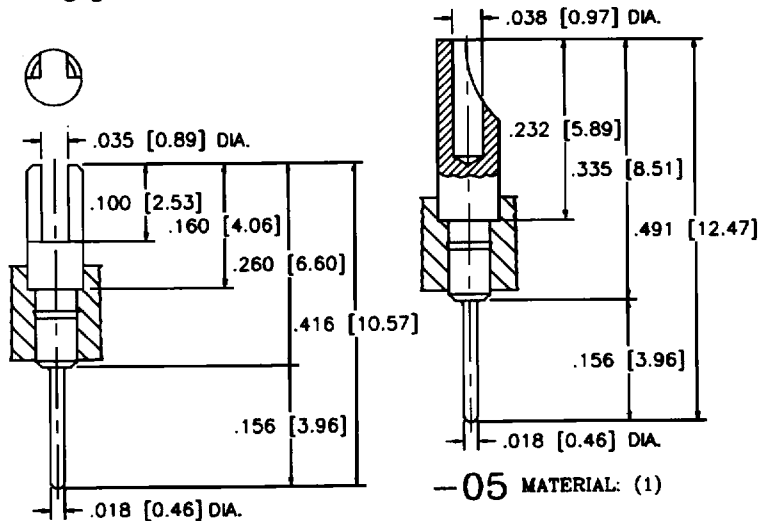
DIP - SPACING  
NO. OF PINS PER ROW  
TERMINAL STYLE  
FOR OPTIONAL TERMINAL STYLES  
SEE TERMINAL STYLES  
CONTACT TYPE

### SERIES 355 TERMINALS



-37 MATERIAL: (1)  
-04 MATERIAL: (2)

-77 MATERIAL: (2)



-06 MATERIAL: (2)

-05 MATERIAL: (1)

### CONTACT TYPE

S: STANDARD DIP	INSERTION FORCE	9.0 oz. AVG.
	WITHDRAWAL FORCE	2.0 oz. MIN.
M: STANDARD PGA	INSERTION FORCE	1.8 oz. MAX.
	WITHDRAWAL FORCE	0.5 oz. MIN.
L: INTERSTITIAL PGA	INSERTION FORCE	1.0 oz. MAX.
	WITHDRAWAL FORCE	0.3 oz. MIN.
H: HIGH FORCE	INSERTION FORCE	18.3 oz. MAX.
	WITHDRAWAL FORCE	4.2 oz. MIN.

### ORDERING INFORMATION

XXX-2XX-XXX-XXX-B10

