

Fig. 1

- Receptacles accept .030" diameter and .025" square pins such as Series 890 and 892 pin headers.
- Pin interconnects available with straight (M-M# 7007) or right angle (M-M# 5005, 5107) solder tails. (See page 173 for details)
- Sockets are available with straight (M-M# 1304) or right angle (M-M# 1305, 1306) solder tails. (See pages 146 & 147 for details)

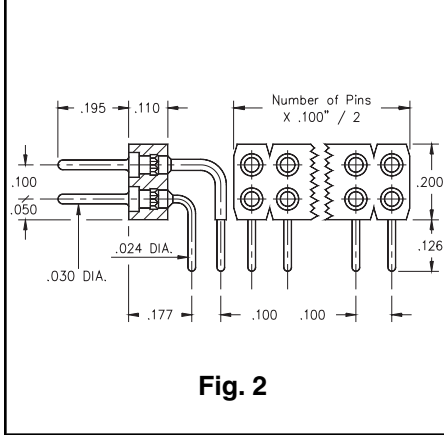
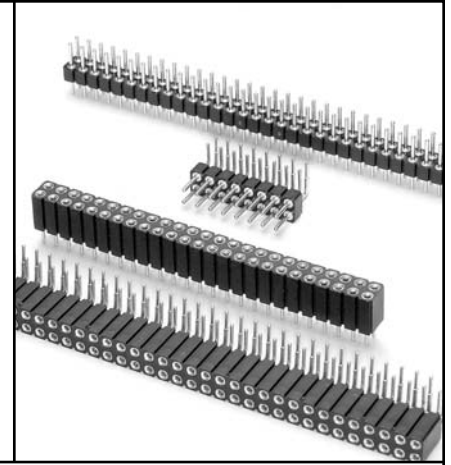


Fig. 2

Ordering Information

Fig. 1	Series 802...10-001	Straight Pin Header
	802-XX-0__-10-001	Specify # of pins → 02-64
Fig. 2	Series 802...20-001	Right Angle Pin Header
	802-XX-0__-20-001	Specify # of pins → 02-64

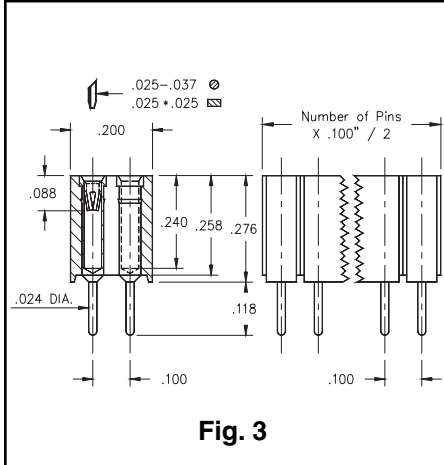


Fig. 3

XX= Plating Code See Below

SPECIFY PLATING CODE XX=	10	90		
Pin Plating		10μ" Au	200μ" Sn/Pb	

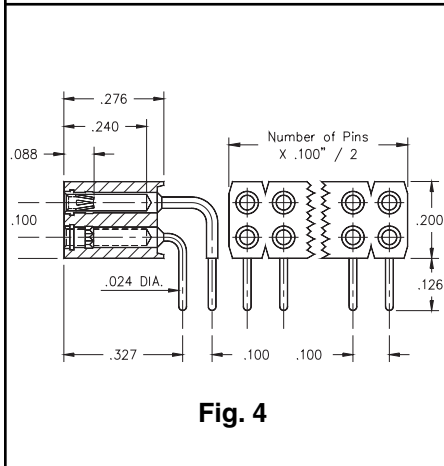


Fig. 4

Fig. 3	Series 803...10-001	Straight Socket
	803-XX-__-10-001	Specify # of pins → 002-100
Fig. 4	Series 803...20-001	Right Angle Socket
	803-XX-__-20-001	Specify # of pins → 002-100

XX= Plating Code See Below

SPECIFY PLATING CODE XX=		93	99
Sleeve (Pin)		200μ" Sn/Pb	200μ" Sn/Pb
Contact (Clip)		30μ" Au	200μ" Sn/Pb