

Series 805 Hermetic Receptacles



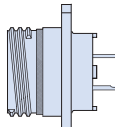
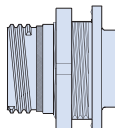
Series 805 Hermetic Receptacles feature 304L stainless steel shells, fused vitreous glass insulators and Alloy 52 iron alloy contacts. Triple-start ACME thread provides fast mating and cross-threading protection. Mating plug connectors feature EMI springs and ratcheting anti-decoupling mechanism for resistance to vibration. 1000 PSI open face pressure. Fluorosilicone seals for full water ingress protection when mated. Contacts are gold-plated 50 microinches minimum.

1×10^{-6} cc/second maximum helium leak rate.

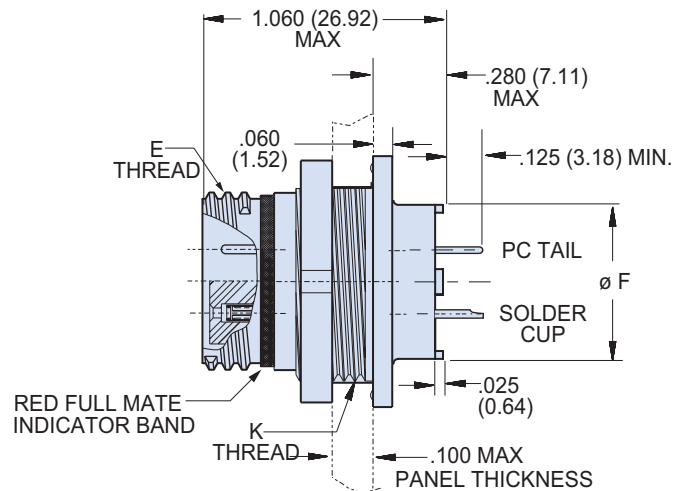
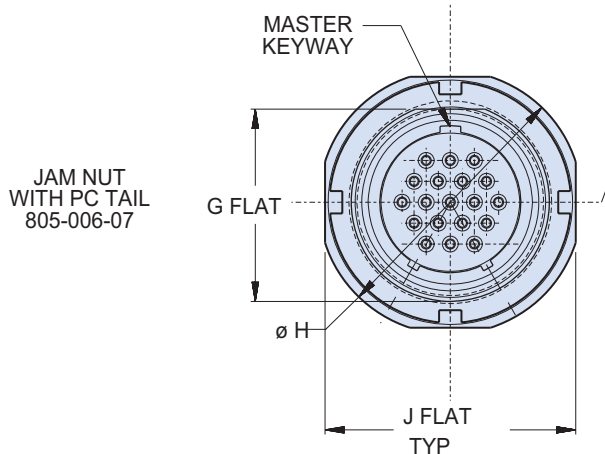
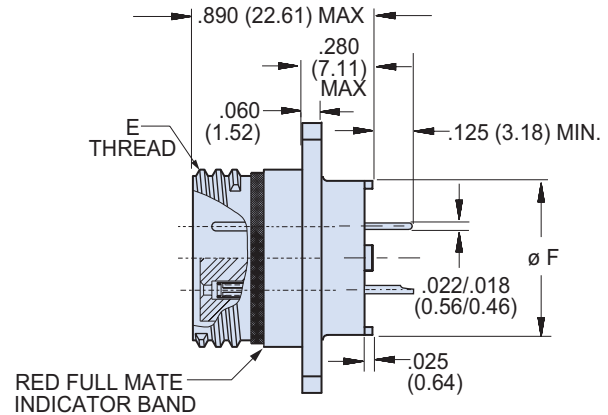
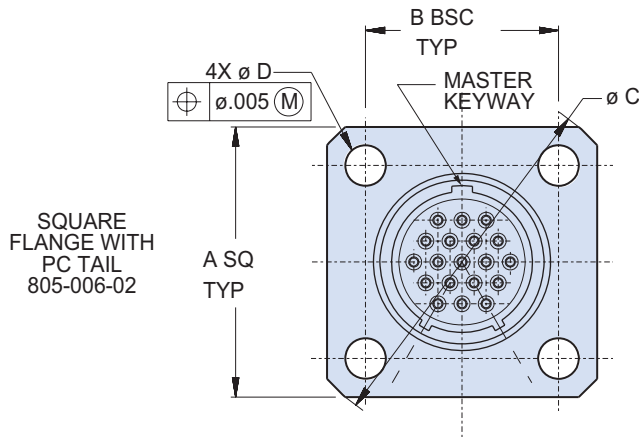
Two Shell Styles: jam nut or square flange.

Solder Cup Contacts for #22 AWG wire, or **PC Tail Contacts** for attachment to flexible or rigid circuits.

HOW TO ORDER SERIES 800 HERMETIC RECEPTACLES

Sample Part Number					
805-006	- 07	Z1	12-26	C	A
Series	Shell Style	Shell Material / Finish	Shell Size- Insert Arrangement	Contact Type	Shell Key Position
805-006 Hermetic Receptacle	 02 Square Flange	Z1 Stainless Steel / Passivated ZL Stainless Steel / Nickel Plated	8-1 1 #16 Contact 8-4 4 #23 Contacts 8-7 7 #23 Contacts 9-1 1 #12 Contact 9-10 10 #23 Contacts 10-13 13 #23 Contacts 11-4 4 #16 Contacts 11-19 19 #23 Contacts 12-26 26 #23 Contacts 15-2 2 #12 Contacts 15-37 37 #23 Contacts 18-55 55 #23 Contacts 19-85 85 #23 Contacts	P Pin, Solder Cup C Pin, PC Tail	A Position A (Normal) B Position B C Position C D Position D
	 07 Jam Nut				

Series 805 Hermetic Receptacles



DIMENSIONS

Shell Size	A		B		Ø C		Ø D		E Threads	Ø F		G		Ø H		Ø J		K Threads
	In.	mm.	In.	mm.	In.	mm.	In.	mm.		In.	mm.	In.	mm.	In.	mm.	In.	mm.	
8	.850	21.59	.660	16.76	1.150	29.21	.094	2.39	.5000-.1P-.3L-TS-2A	.330	8.38	.535	13.59	.760	19.30	.730	18.54	.375-28 UN-2A
9	.913	23.19	.723	18.36	1.230	31.24	.094	2.39	.5625-.1P-.3L-TS-2A	.432	10.97	.661	16.79	.880	22.35	.850	21.59	.4375-28 UNEF-2A
10	.975	24.77	.785	19.94	1.330	33.78	.094	2.39	.6250-.1P-.3L-TS-2A	.493	12.52	.661	16.79	.880	22.35	.850	21.59	.5000-28 UNEF-2A
11	1.039	26.39	.848	21.54	1.410	35.81	.094	2.39	.6875-.1P-.3L-TS-2A	.551	14.00	.721	18.31	.955	24.26	.925	23.50	.5625-24 UNEF-2A
12	1.099	27.91	.909	23.09	1.500	38.10	.094	2.39	.7500-.1P-.3L-TS-2A	.620	15.78	.784	19.91	1.060	26.92	1.035	26.29	.6250-24 UNEF-2A
15	1.288	32.74	1.058	26.87	1.750	44.45	.128	3.25	.9375-.1P-.3L-TS-2A	.703	17.86	.970	24.64	1.203	30.56	1.173	29.79	.7500-20 UNEF-2A
18	1.475	37.47	1.255	31.88	2.000	50.80	.128	3.25	1.1250-.1P-.3L-TS-2A	.863	21.92	1.147	29.13	1.389	35.28	1.359	34.52	.9375-20 UNEF-2A
19	1.537	71.06	1.327	33.71	2.094	53.19	.128	3.25	1.1870-.1P-.3L-TS-2A	.912	23.16	1.221	31.01	1.450	36.83	1.420	36.07	.9375-20 UNEF-2A