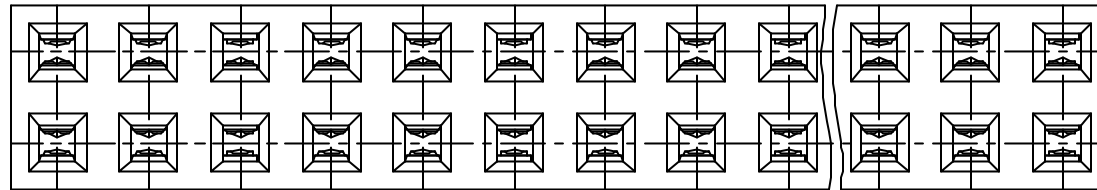


PRODUCT NUMBER
87606-YXXXLF

WHEN NEEDED, SUFFIX LETTER "LF"
INDICATES THE PRODUCT IS RoHS
COMPATIBLE, SEE NOTE 10
OPTIONAL LETTER SEE NOTE 6
NUMBER OF POSITIONS PER ROW: 02 TO 50.

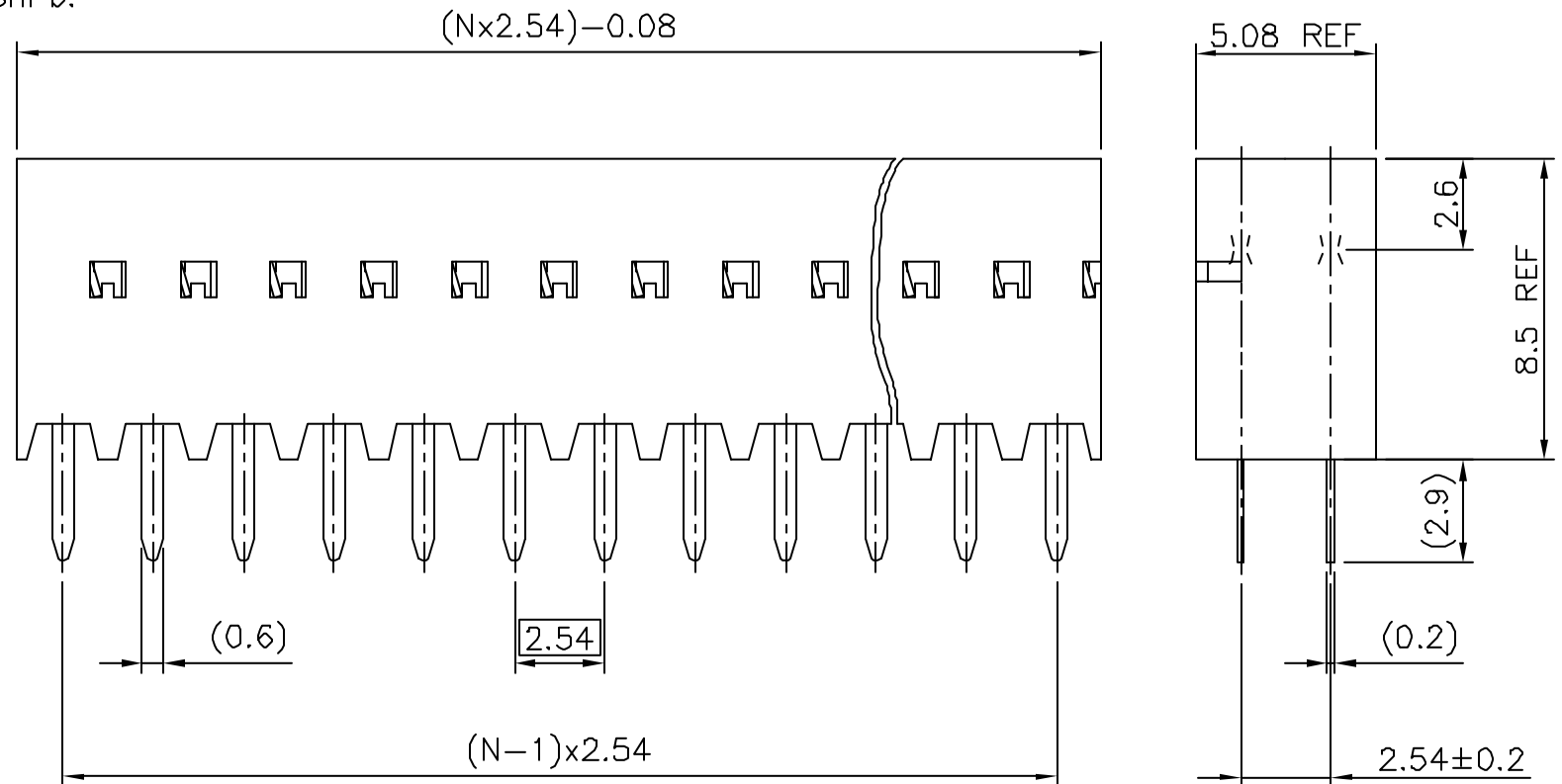
PLATING CODE
3= 0.76µm GOLD ON CONTACT AREA.
3.81µm TIN-LEAD ON TAIL.
4= 5µm TIN-LEAD ON CONTACT AREA.
3.81µm TIN-LEAD ON TAIL.
8= 0.38µm GOLD ON CONTACT AREA.
3.81µm TIN-LEAD ON TAIL.

WHEN SUFFIX "LF" IS REQUIRED, 2µm MIN MATTE
TIN OVER 1.27 MIN Ni IS SUPPLIED INSTEAD OF SnPb.

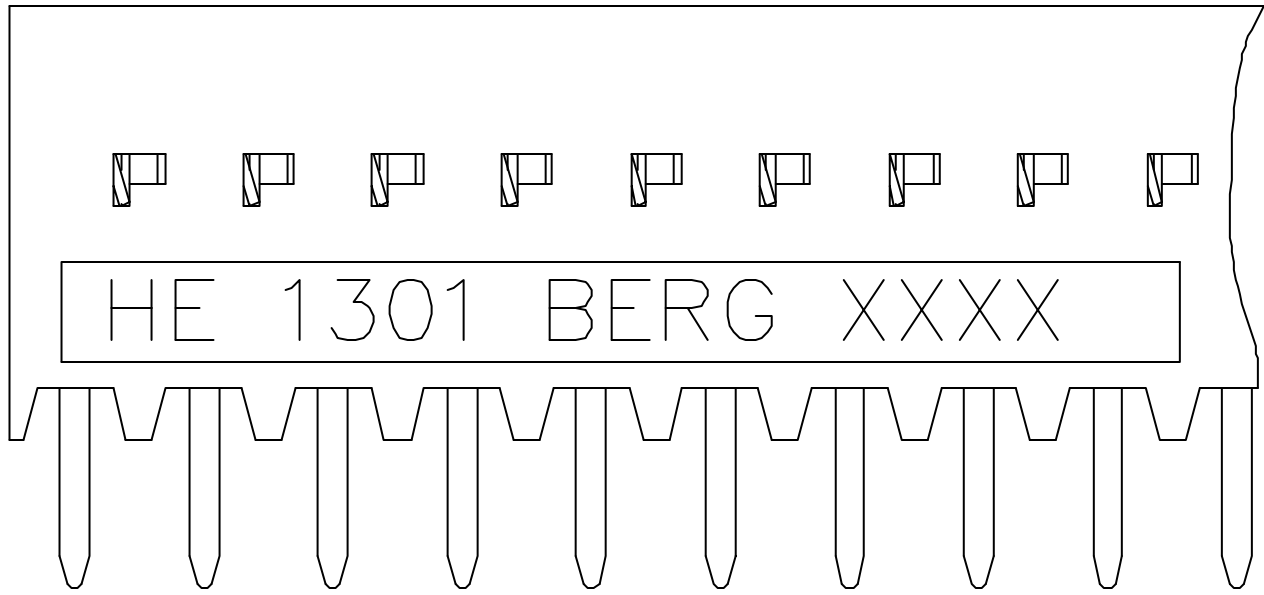


NOTES:

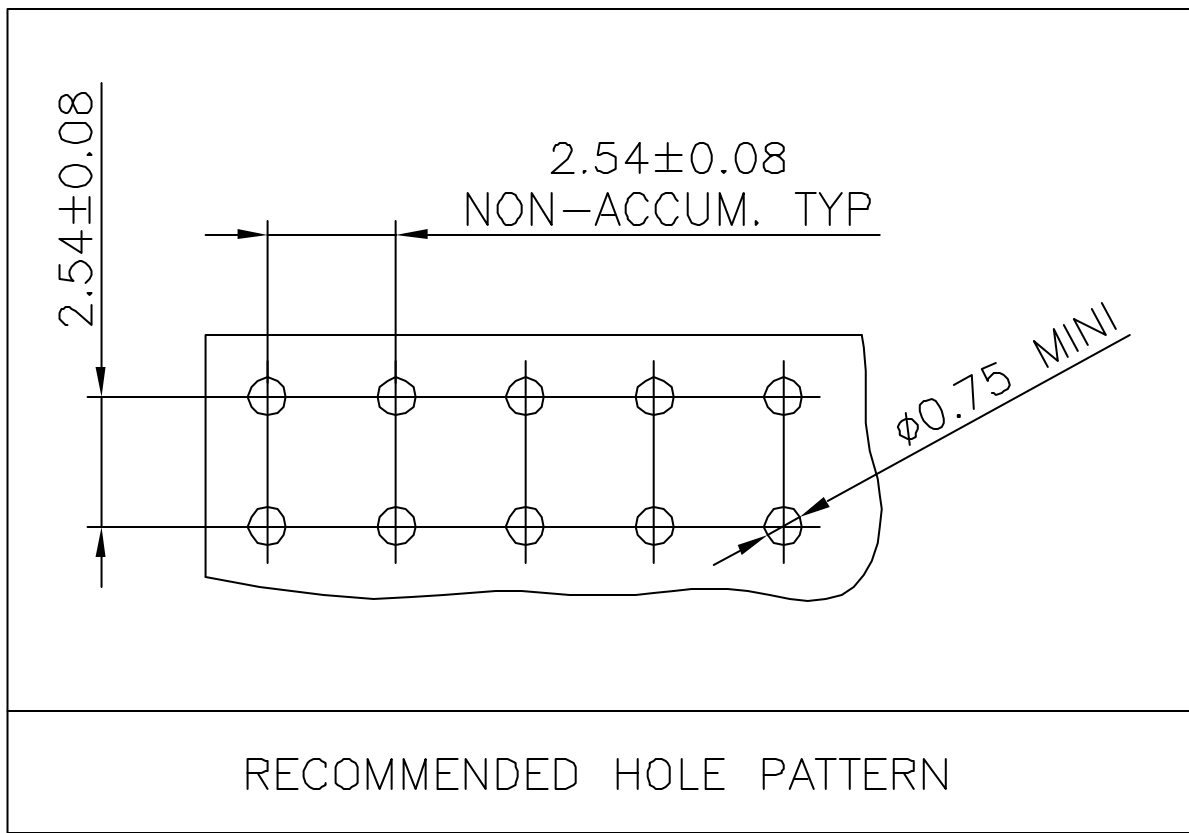
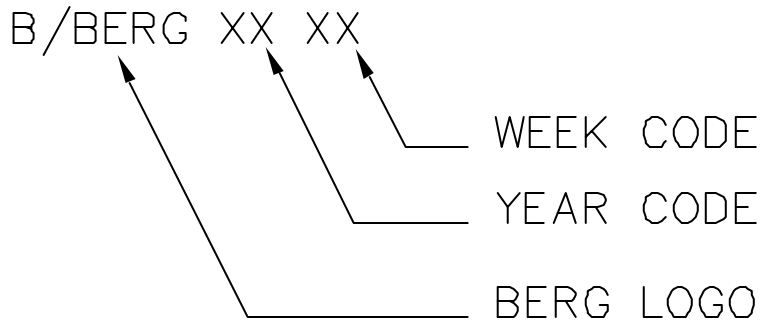
- 1 - HOUSING MAT'L: THERMOPLASTIC GLASS FILLED
FLAME RETARDANT PER UL 94 V-O COLOR: BLUE.
- 2 - TERMINAL MATERIAL: PHOSPHOR BRONZE.
- 3 - 2 UP TO 4 POSITIONS PRODUCT PACKED IN PLASTIC BOX.
5 UP TO 50 POSITIONS PRODUCT PACKED IN TUBE.
- 4 - TO DETERMINE DIMENSIONS:
N = NUMBER OF POSITIONS PER ROW
EXAMPLE: 8 POS: (Nx2.54)-0.08=20.24 mm
- 5 - HE13 PRINTING ON 87606-3XX PRODUCT.
- 6 - A LETTER "H" AT THE END OF THE PART NUMBER
TO INDICATE A HIGH TEMP. PRODUCT
HOUSING MAT'L: THERMOPLASTIC GLASS FILLED
FLAME RETARDANT PER UL 94 V-O COLOR: GREY.
- 7 - RoHS COMPATIBLE PRODUCT SPECIFICATIONS
 - a - PLATING:
 - "LF" MEANS THE PRODUCT IS LEAD-FREE,
2µm MINIMUM MATTE TIN OVER 1.27µm
MINIMUM NICKEL UNDERPLATE.
 - b - MANUFACTURING PROCESS COMPATIBILITY
 - THE HOUSING WILL WITHSTAND EXPOSURE TO
260°C ±5°C SOLDER BATH TEMPERATURE FOR
5 SECONDS IN A WAVE SOLDER APPLICATION
WITH A 1.6mm MIN THICK CIRCUIT BOARD.
 - c - LABELING:
 - MEETS PACKAGING SPECS AS PER GS-14-920
 - d - LEGAL STATEMENT: SEE GS-22-008
- 8 - PRINTING & HOLE PATTERN SEE NEXT SHEET.



mat'l. code		surface		tolerance		projection		product family		
SEE NOTE 1		ISO 1302		ISO 406 ISO 1101		mm		DUBOX		
ltr	ecn no	dr	date	tolerances unless otherwise specified		mm		title		
K	F04-0347	DLE	04.09.23	angles	linear	±0.3		BtB RECEPT. VERT DR TMT		
L	F05-0230	DLE	05.08.08	±2'		scale 5:1		dwg no		
M	F06-0204	DLE	06.06.21	dr		D LEGRAND		sheet 1 of 2		
G	F10308	GCO	01.05.10	enr		P NIZZI		size		
H	F10353	DLE	01.06.20	chr		D LE		87606		
J	F04-0345	DLE	04.09.22	appd		P NZ		A3		
sheet index		revision	M	C			type		CUSTOMER Drawing	
		sheet	1	2						



- 9 - PRINTING ONLY FOR 87606-3XX(Z)(LF)
- 10 - NO PRINTING FOR 87606-302(LF) UP TO -305(LF)
- 11 - PRINTING BERG LOGO (B OR BERG). DATE CODE AND OTHER INFO



FCI
FCIconnect.com

Copyright FCI

mat'l. code SEE SHEET 1				surface ISO 1302 ✓		tolerance ISO 406 ISO 1101		projection 		product family DUBOX			
Ltr	ecn no	dr	date	tolerances unless otherwise specified				mm 		title BtB RECEPT. VERT DR TMT			
A	F04-0347	DLE	04.09.23	angles	linear	±0.3		scale 5:1		dwg no		sheet 2 of 2	size
B	F05-0230	DLE	05.08.08			±2'				87606		A4	
C	F06-204	DLE	06.06.21	dr		D LEGRAND	04.09.23					type	
				enr		P NIZZI	04.09.23						
				chr		D LE	04.09.23						
				appd		P NZ	04.09.23						
sheet index		revision sheet											