

UNSHIELDED SMD POWER INDUCTOR

AISC-1210H



RoHS
Compliant



3.2 x 2.5 x 2.0mm

FEATURES:

- Low DC resistance permits high current flow
- Suitable for flow and reflow soldering
- Exhibit low voltage drops and inductance variations with respect to temperature rise and DC current level

STANDARD SPECIFICATIONS:

PARAMETERS

ABRACON P/N:	AISC-1210H-xxx Series
Operating temperature:	-25°C to + 85°C
Storage temperature:	-25°C to + 85°C, 70% RH max.

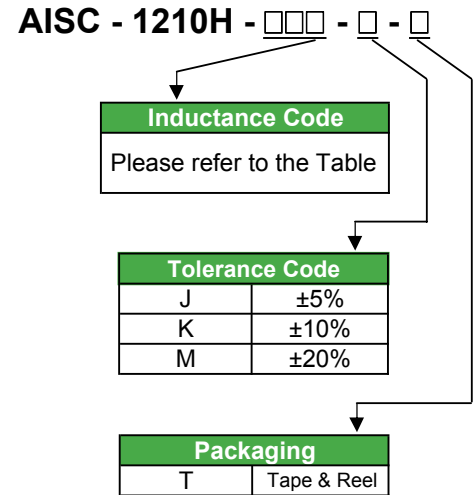
Part Number	L (µH)	Test Frequency	SRF (MHz) Min	Rdc(mΩ) Max	Ir (A) max.
AISC-1210H-R15X	0.15	1.0 MHz	400	21	4.40
AISC-1210H-R27X	0.27	1.0 MHz	250	22	4.00
AISC-1210H-R39X	0.39	1.0 MHz	200	33	3.10
AISC-1210H-R56X	0.56	1.0 MHz	180	50	2.90
AISC-1210H-R82X	0.82	1.0 MHz	150	53	2.60
AISC-1210H-1R0X	1.0	1.0 MHz	100	63	2.30
AISC-1210H-1R2X	1.2	1.0 MHz	90	92	2.10
AISC-1210H-1R5X	1.5	1.0 MHz	80	100	1.70
AISC-1210H-1R8X	1.8	1.0 MHz	72	110	1.50
AISC-1210H-2R2X	2.2	1.0 MHz	64	124	1.30
AISC-1210H-2R4X	2.4	1.0 MHz	62	130	1.30
AISC-1210H-2R7X	2.7	1.0 MHz	60	132	1.20
AISC-1210H-3R3X	3.3	1.0 MHz	53	167	1.15
AISC-1210H-3R9X	3.9	1.0 MHz	45	222	1.00
AISC-1210H-4R7X	4.7	1.0 MHz	43	247	0.90
AISC-1210H-5R6X	5.6	1.0 MHz	38	359	0.78
AISC-1210H-6R8X	6.8	1.0 MHz	32	392	0.75
AISC-1210H-8R2X	8.2	1.0 MHz	30	450	0.70
AISC-1210H-100X	10.0	1.0 MHz	26	509	0.65
AISC-1210H-120X	12.0	1.0 MHz	26	674	0.61
AISC-1210H-150X	15.0	1.0 MHz	26	760	0.55
AISC-1210H-180X	18.0	1.0 MHz	20	978	0.45
AISC-1210H-220X	22.0	100 KHz	19	1120	0.43
AISC-1210H-270X	27.0	100 KHz	18	1240	0.38
AISC-1210H-330X	33.0	100 KHz	17	1940	0.35
AISC-1210H-390X	39.0	100 KHz	16	2000	0.33
AISC-1210H-470X	47.0	100 KHz	15	3200	0.30
AISC-1210H-560X	56.0	100 KHz	13	3640	0.25
AISC-1210H-680x	68.0	100 KHz	12	4060	0.21
AISC-1210H-820X	82.0	100 KHz	12	4580	0.20
AISC-1210H-101X	100.0	100 KHz	10	6880	0.18
AISC-1210H-121X	120.0	100 KHz	8	7470	0.16
AISC-1210H-151X	150.0	100 KHz	7	8320	0.14
AISC-1210H-181X	180.0	100 KHz	7	13160	0.12
AISC-1210H-221X	220.0	100 KHz	6.8	14400	0.10
AISC-1210H-271X	270.0	100 KHz	6	15000	0.08
AISC-1210H-331X	330.0	100 KHz	5.6	18900	0.06
AISC-1210H-391X	390.0	1 KHz	5	20400	0.06
AISC-1210H-471X	470.0	1 KHz	4	27500	0.06
AISC-1210H-561X	560.0	1 KHz	4	29800	0.05
AISC-1210H-681X	680.0	1 KHz	3.2	40000	0.04

APPLICATIONS:

- Excellent for power line DC/DC conversion applications
- Used in video, communications, notebook computer and other electronic equipment

OPTIONS & PART IDENTIFICATION:

(Left blank if standard)



ABRACON IS
ISO 9001 / QS 9000
CERTIFIED



ABRACON
CORPORATION

Visit www.abracon.com for Terms & Conditions of Sale **Revised: 02.08.08**
30332 Esperanza, Rancho Santa Margarita, California 92688
tel 949-546-8000 | fax 949-546-8001 | www.abracon.com

UNSHIELDED SMD POWER INDUCTOR

AISC-1210H

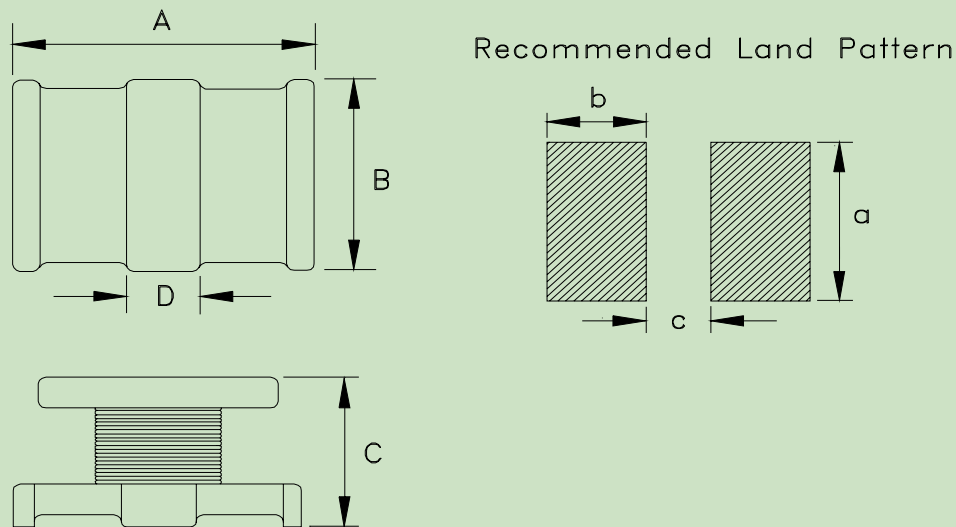


RoHS
Compliant



3.2 x 2.5 x 2.0mm

OUTLINE DRAWING:

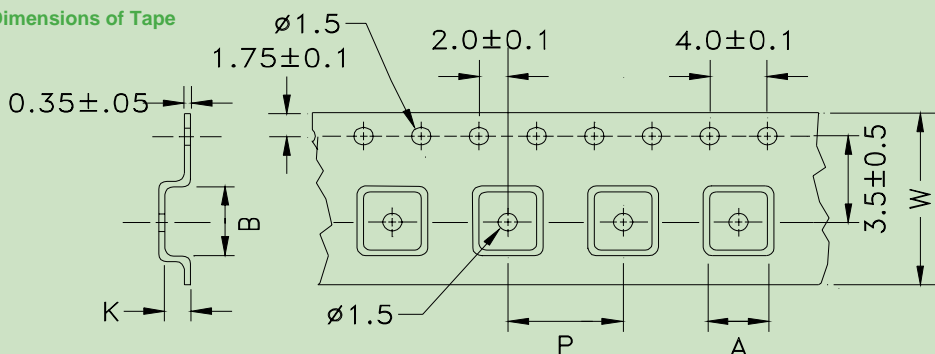


Series	A	B	C	D(ref)	a(ref)	b(ref)	c(ref)
AISC-1210H	0.126±0.012 (3.2 ±0.3)	0.098±0.012 (2.5 ±0.3)	0.079±0.012 (2.0 ±0.3)	0.079 (1.0)	0.039 (2.5)	0.047 (1.2)	0.024 (0.6)

Dimensions: Inches
(mm)

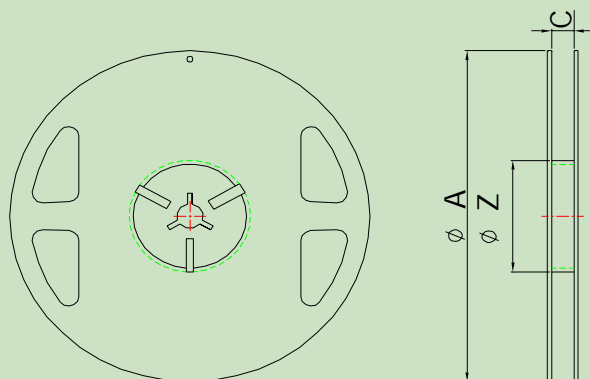
TAPE & REEL: Tape and reel 4,000pcs/reel

Dimensions of Tape



ABRACON P/N	A (mm)	B (mm)	K (mm)	P (mm)	W (mm)	PCS/REEL
AISC-1210H	2.88 ± 0.1	3.74 ± 0.1	2.5 ± 0.1	4.0 ± 0.1	8.0 ± 0.3	2000

Dimensions of Reel



series	A	C	Z
AISC-1210H	330-0.5	8.4+1.5	100±1.0

Dimensions: mm

ABRACON IS
ISO 9001 / QS 9000
CERTIFIED



Visit www.abracon.com for Terms & Conditions of Sale **Revised: 02.08.08**
30332 Esperanza, Rancho Santa Margarita, California 92688
tel 949-546-8000 | fax 949-546-8001 | www.abracon.com