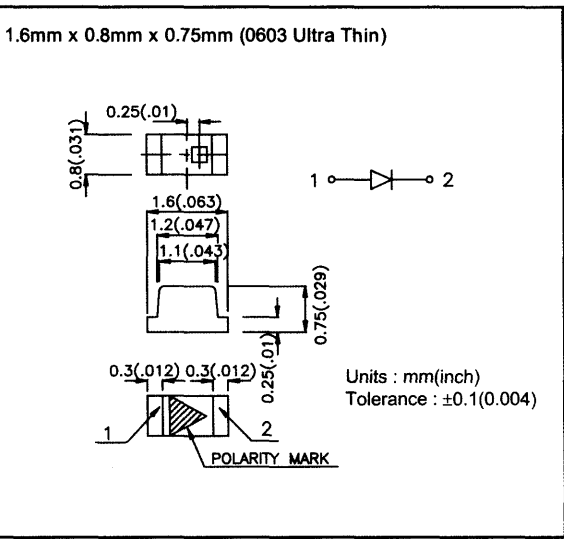
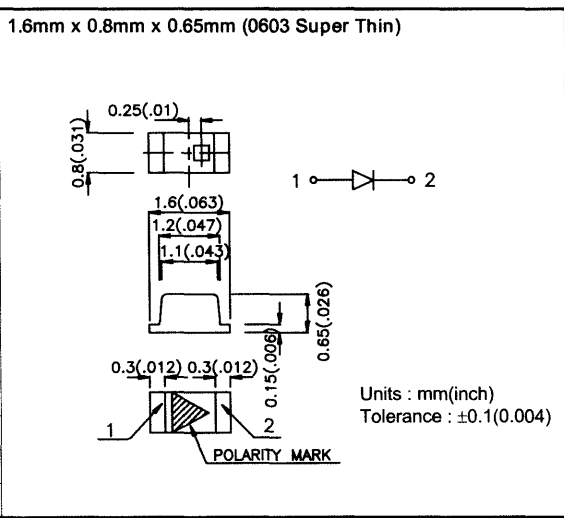


Part No.	Emitting Color + Material	λD (nm)	Lens Type	Iv (mcd) @20mA		Viewing Angle 2 θ /2	Dimension
				Min.	Typ.		

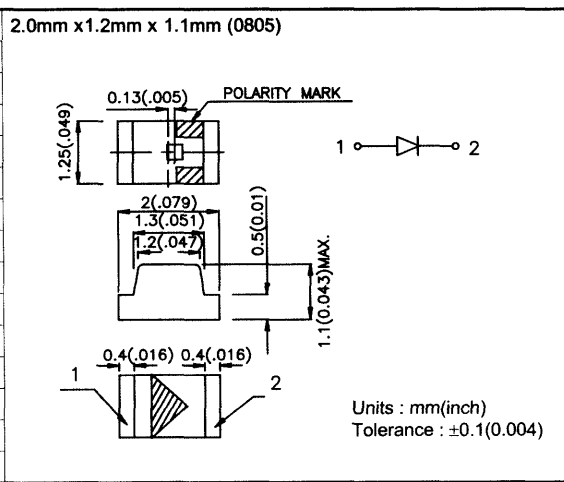
APT1608EC	GaAsP/GaP	625	water clear	5	12	120°
APT1608NW	GaAsP/GaP	610	white diffused	5	12	120°
APT1608SGC	GaP	568	water clear	3	10	120°
APT1608QGW	GaP	565	white diffused	3	12	120°
APT1608PGW	GaP	555	white diffused	2	5	120°
APT1608QYW	GaP	568	white diffused	3	12	120°
APT1608YC	GaAsP/GaP	588	water clear	3	8	120°
APT1608PYW	GaAsP/GaP	585	white diffused	3	8	120°
APT1608SRCPRV	GaAlAs	640	water clear	40	100	120°
APT1608SURC	InGaAlP	628	water clear	70	150	120°
APT1608SURCK	InGaAlP	630	water clear	50	100	120°
APT1608SEC	InGaAlP	601	water clear	80	200	120°
APT1608SECK	InGaAlP	601	water clear	50	160	120°
APT1608SEW/E	InGaAlP	621	white diffused	60	200	120°
APT1608SYC	InGaAlP	588	water clear	40	80	120°
APT1608SYCK	InGaAlP	590	water clear	30	60	120°
APT1608MBC	GaN	455	water clear	2	8	120°
APT1608MBCK	GaN	455	water clear	2.6	6	120°
APT1608PBC	InGaN	465	water clear	10	30	120°



APH1608EC	GaAsP/GaP	625	water clear	5	12	120°
APH1608SGC	GaP	568	water clear	3	10	120°
APH1608QYW	GaP	568	white diffused	3	12	120°
APH1608YC	GaAsP/GaP	588	water clear	3	8	120°
APH1608SRCPRV	GaAlAs	640	water clear	40	100	120°
APH1608SURC	InGaAlP	628	water clear	70	150	120°
APH1608SURCK	InGaAlP	630	water clear	50	100	120°
APH1608SEC	InGaAlP	601	water clear	80	200	120°
APH1608SECK	InGaAlP	601	water clear	50	160	120°
APH1608MGC	InGaAlP	568	water clear	20	50	120°
APH1608SYC	InGaAlP	588	water clear	40	80	120°
APH1608SYCK	InGaAlP	590	water clear	30	60	120°
APH1608MBC	GaN	455	water clear	2	8	120°
APH1608MBCK	GaN	455	water clear	2.6	6	120°
APH1608PBC	InGaN	465	water clear	10	30	120°



AP2012EC	GaAsP/GaP	625	water clear	5	12	120°
AP2012SGC	GaP	568	water clear	3	12	120°
AP2012YC	GaAsP/GaP	588	water clear	2	8	120°
AP2012SRCPRV	GaAlAs	640	water clear	20	80	120°
AP2012SURC	InGaAlP	628	water clear	70	150	120°
AP2012SURCK	InGaAlP	630	water clear	50	100	120°
AP2012SEC	InGaAlP	601	water clear	40	200	120°
AP2012SECK	InGaAlP	601	water clear	40	160	120°
AP2012MGC	InGaAlP	568	water clear	20	50	120°
AP2012SYC	InGaAlP	588	water clear	40	80	120°
AP2012SYCK	InGaAlP	590	water clear	30	50	120°
AP2012MBC	GaN	455	water clear	2	8	120°
AP2012MBCK	GaN	455	water clear	2.6	6	120°
AP2012VGC	InGaN	520	water clear	50	100	120°
AP2012PBC	InGaN	465	water clear	20	45	120°



NOTE :
1. AP series custom-made is available upon request.