

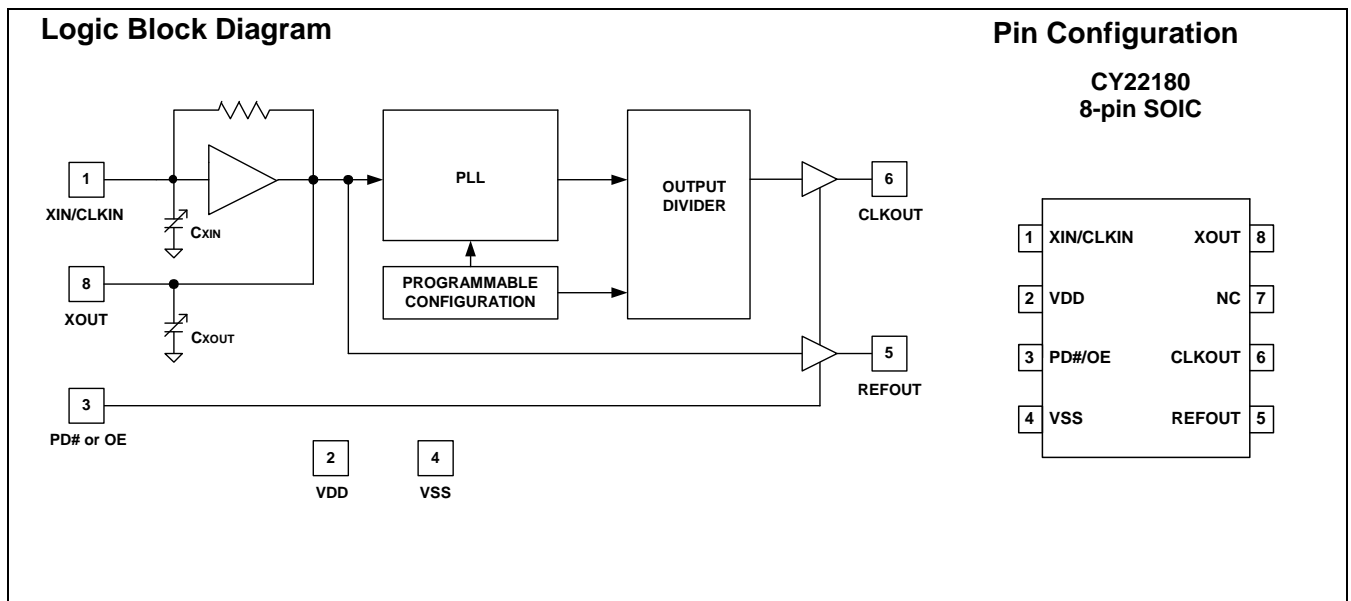
Very Low Jitter Field and Factory Programmable Clock Generator

Features

- Low period and cycle-to-cycle jitter
 - Typical pk-pk period jitter: 60 ps
- Wide output frequency range
 - Commercial temperature: 20–200 MHz
 - Industrial temperature: 20–166 MHz
- Input frequency range
 - External crystal: 10–30 MHz fundamental crystal
 - External reference: 10–133 MHz clock
- Integrated phase-locked loop (PLL)
- Field programmable and factory programmed options
- Programmable crystal load capacitor tuning array
- 3.3V operation
- Commercial and industrial temperature ranges
- Power down or output enable function

Benefits

- Internal PLL generates up to 200 MHz output. Can generate custom frequencies from an external crystal or a driven source.
- In-house programming of samples and prototype quantities can be done using the CY3672-USB programmer and CY3619 socket adapter. Production quantities are available through Cypress's value added distribution partners or by using third party programmers from BP Microsystems, HiLo Systems, and others.
- Eliminates the need for expensive and difficult to use higher-order crystals.
- Enables fine-tuning of output clock frequency by adjusting C_{Load} of the crystal. Eliminates the need for external C_{Load} capacitors.
- Application compatibility in standard and low-power systems
- Enables low-power state or output clocks to High-Z state.



Pin Description

Pin	Name	Description
1	XIN/CLKIN	Crystal input or reference clock input.
2	VDD	3.3V power supply.
3	PD#/OE	Power down pin, active LOW. If PD# = 0, the PLL and oscillator are powered down and outputs are weakly pulled low. Output enable pin, active HIGH. If OE = 1, CLKOUT and REFOUT are enabled. User has the option of choosing either PD# or OE function.
4	VSS	Power supply ground.
5	REFOUT	Buffered reference output.
6	CLKOUT	Low jitter clock output.
7	NC	No connect. Leave this pin floating.
8	XOUT	Crystal output. Leave this pin floating if external clock is used.

General Description

The CY22180 is a low jitter clock generator for use in networking, telecommunication, datacom, consumer electronics, and other general purpose applications. The CY22180 offers a single programmable output and an optional copy of the input frequency. The on-chip reference oscillator is designed to run off a 10–30 MHz crystal, or a 10–133 MHz external clock signal. The output frequency range is 20–200 MHz. The CY22180 comes in an 8-pin SOIC, and requires a 3.3V power supply.

Programming Description

Field Programmable (CY22180FSXC and CY22180FSXI)

The CY22180 is programmed at the package level, that is, in a programmer socket. The CY22180 is flash technology based, so the parts can be reprogrammed up to 100 times. This enables fast and easy design changes and product updates, and eliminates any issues with old and out-of-date inventory.

Samples and small prototype quantities can be programmed on the CY3672 programmer with the CY3619 socket adapter.

CyberClocks™ Online Software

CyberClocks Online Software is a web-based software application that allows the user to custom-configure the CY22180. All the parameters in Table 1 given as “Enter Data” can be

programmed into the CY22180. CyberClocks Online outputs an industry-standard JEDEC file used for programming the CY22180. CyberClocks Online is available at www.cyberclocksonline.com through user registration. For more information on the registration process refer to the CY3672 data sheet.

CY3672-USB Programming Kit and CY3619 Socket Adapter

The Cypress CY3672 FTG programmer and CY3619 socket adapter are needed to program the CY22180. The socket adapter comes with small prototype quantities of CY22180. The CY3619 can be ordered separately, so existing users of the CY3672-USB programmer need order only the socket adapters to program the CY22180.

Factory Programmed CY22180

Factory programming is available for volume manufacturing by Cypress. All requests must be submitted to the local Cypress Field Application Engineer (FAE) or sales representative. Once the request has been processed, you will receive a new part number (dash number) and samples with the programmed values. This part number will be used for additional sample requests and production orders.

Additional information on the CY22180 can be obtained from the Cypress website at www.cypress.com.

Table 1.

Pin Function	Input Frequency	Total Xtal Load Capacitance	Output Frequency	Reference Output	Power-down or Output Enable
Pin Name	XIN and XOUT	XIN and XOUT	CLKOUT	REFOUT	PD#/OE
Pin#	1 and 8	1 and 8	6	5	3
Unit	MHz	pF	MHz	On or Off	Select PD# or OE
Program Value	ENTER DATA	ENTER DATA	ENTER DATA	ENTER DATA	ENTER DATA

Product Functions

Input Frequency (XIN, pin 1 and XOUT, pin 8)

The input to the CY22180 can be a crystal or a clock. The input frequency range for crystals is 10 to 30 MHz, and for clock signals is 10 to 133 MHz.

C_{XIN} and C_{XOUT} (pin 1 and pin 8)

The internal load capacitors at pin 1 (C_{XIN}) and pin 8 (C_{XOUT}) can be programmed from 12 pF to 60 pF in 0.5-pF increments. Thus, these programmable capacitors support crystals with C_L values between 6 pF and 30 pF. The crystal C_L value, minus board parasitic capacitance, is the value entered into CyberClocks Online Software.

If using a driven reference, CyberClocks Online Software will set C_{XIN} and C_{XOUT} to the minimum value 12 pF.

Output Clock (CLKOUT, pin 6)

The output clock can be programmed to any frequency in the range of 20–200 MHz.

Reference Output (REFOUT, pin 5)

The reference clock output has the same frequency as the input clock. This output can be programmed to be enabled (clock on) or disabled (High-Z, clock off) through CyberClocks Online software. If this output is not needed, Cypress recommends that users request the disabled (High-Z, Clock Off) option.

Power Down or Output Enable (PD# or OE, pin 3)

The CY22180 can be programmed to include either PD# or OE function. PD# function can be used to power down the oscillator and PLL. The OE function disables the outputs but does not turn off the PLL. PD# achieves lower power consumption, but PLL start up time means that turn-on time is slower than for OE.

Absolute Maximum Ratings

Supply Voltage (V_{DD})–0.5 to +7.0V
 DC Input Voltage..... –0.5V to V_{DD} + 0.5
 Storage Temperature (Non-condensing).....–55°C to +125°C
 Junction Temperature –40°C to +125°C

Data Retention @ T_j = 125°C.....> 10 years
 Package Power Dissipation..... 350 mW
 Static Discharge Voltage..... ≥ 2000V
 (per MIL-STD-883, Method 3015)

Recommended Crystal Specifications

Parameter	Description	Comments	Min.	Typ.	Max.	Unit
F _{NOM}	Nominal Crystal Frequency	Parallel resonance, fundamental mode, AT cut	10	–	30	MHz
C _{LNOM}	Nominal Load Capacitance		6	–	30	pF
R ₁	Equivalent Series Resistance (ESR)	Fundamental mode	–	–	25	Ω
DL	Crystal Drive Level	No external series resistor assumed	–	0.5	2	mW

Operating Conditions

Parameter	Description	Min.	Typ.	Max.	Unit
V _{DD}	Supply Voltage	3.13	3.30	3.45	V
T _A	Ambient Commercial Temperature	0	–	70	°C
	Ambient Industrial Temperature	–40	–	85	°C
C _{LOAD}	Max. Load Capacitance @ pin 5 and pin 6	–	–	10	pF
F _{XIN}	External Reference Crystal	10	–	30	MHz
F _{CLKIN}	External Reference Clock	10	–	133	MHz
F _{CLKOUT}	CLKOUT frequency, Commercial Temperature	20	–	200	MHz
	CLKOUT frequency, Industrial Temperature	20	–	166	MHz
F _{REFOUT}	REFOUT frequency	10	–	133	MHz
T _{PU}	Power-up time for all V _{DD} s to reach minimum specified voltage (power ramp must be monotonic)	0.05	–	500	ms

DC Electrical Characteristics

Parameter	Description	Condition	Min	Typ	Max	Unit
I _{OH}	Output High Current	V _{OH} = V _{DD} - 0.5V, V _{DD} = 3.3V (source)	10	12		mA
I _{OL}	Output Low Current	V _{OL} = 0.5V, V _{DD} = 3.3V (sink)	10	12		mA
V _{IH}	Input High Voltage	CMOS levels, 70% of V _{DD}	0.7V _{DD}	-	V _{DD} + 0.3	V
V _{IL}	Input Low Voltage	CMOS levels, 30% of V _{DD}	-0.3	-	0.3V _{DD}	V
I _{IH}	Input High Current, PD#/OE	V _{IN} = V _{DD}	-	-	10	μA
I _{IL}	Input Low Current, PD#/OE	V _{IN} = V _{SS} , pull up disabled	-	-	10	μA
		V _{IN} = V _{SS} , pull up enabled	-	-	55	μA
I _{OZ}	Output Leakage Current	Three-state output, PD#/OE = 0	-10		10	μA
C _{XIN} or C _{XOUT} ^[1]	Programmable Capacitance at pin 1 and pin 8	Capacitance at minimum setting	-	12	-	pF
		Capacitance at maximum setting	-	60	-	pF
C _{IN} ^[1]	Input Capacitance at PD#/OE		-	5	7	pF
I _{DD}	Supply Current	f _{IN} = 10 MHz, f _{OUT} = 33 MHz, REFOUT off	-	11	15	mA
I _{DDs}	Standby current	Device powered down with PD# = 0V (driven reference pulled down)	-	10	40	μA

AC Electrical Characteristics^[1]

Parameter	Description	Condition	Min	Typ	Max	Unit
DC	Output Duty Cycle	CLKOUT ≤ 125 MHz, Measured at V _{DD} /2	45	50	55	%
	Output Duty Cycle	CLKOUT > 125 MHz, Measured at V _{DD} /2	40	50	60	%
	Output Duty Cycle	REFOUT, Measured at V _{DD} /2 Duty Cycle of CLKIN = 50%	45	50	55	%
SR1	Rising Edge Slew Rate	CLKOUT from 20 to 200 MHz; REFOUT from 10 to 133 MHz. 20%–80% of V _{DD}	2	3	-	V/ns
SR2	Falling Edge Slew Rate	CLKOUT from 20 to 200 MHz; REFOUT from 10 to 133 MHz. 80%–20% of V _{DD}	2	3	-	V/ns
T _{PJ1} ^[2, 3]	CLKOUT pk-pk Period Jitter, REFOUT off	CLKOUT = 20–200 MHz	-	-	75 (±38)	ps
T _{PJ2} ^[2, 3]	CLKOUT pk-pk Period Jitter, REFOUT off, specific frequencies	CLKIN = 10 MHz, CLKOUT = 20, 33, 66, 80, 106.25, 125, 133, or 200 MHz	-	-	60 (±30)	ps
		CLKIN = 25 MHz, CLKOUT = 125 MHz	-	-	56 (±28)	ps
		CLKIN = 30 MHz, CLKOUT = 33, 66, 80, 106.25, 125, or 133 MHz	-	-	62 (±31)	ps
		CLKIN = 66 MHz, CLKOUT = 33 or 66 MHz	-	-	47 (±24)	ps
		CLKIN = 66 MHz, CLKOUT = 80, 106.25, 125, 133, 166, or 200 MHz	-	-	68 (±34)	ps
		CLKIN = 133 MHz, CLKOUT = 33, 66, or 80 MHz	-	-	68 (±34)	ps
		CLKIN = 133 MHz, CLKOUT = 125, 133, or 166 MHz	-	-	52 (±26)	ps

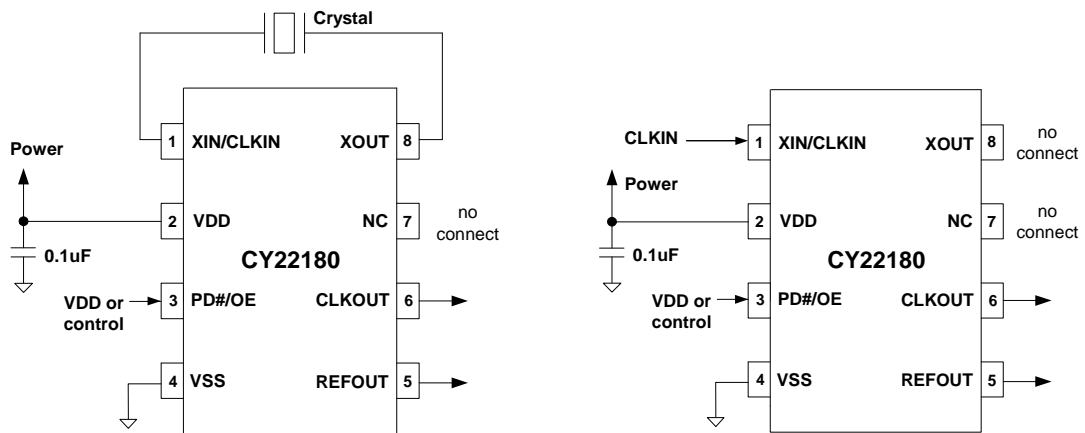
Notes

- Guaranteed by characterization, not 100% tested.
- Jitter is configuration dependent. Actual jitter is dependent on XIN jitter and edge rate, number of active outputs, output frequencies, temperature, and output load. For more information, refer to the application note, "Jitter in PLL Based Systems: Causes, Effects, and Solutions".
- Cycle-to-Cycle Jitter (peak) is always less than Period Jitter (peak-to-peak). Peak-to-Peak Period Jitter is the difference between the shortest and longest measured periods.

AC Electrical Characteristics^[1]

Parameter	Description	Condition	Min	Typ	Max	Unit
$T_{PJ3}^{[2,3]}$	CLKOUT pk-pk Period Jitter, REFOUT on	CLKOUT = 20–200 MHz	–	150 (±75)	–	ps
$T_{PJ4}^{[2,3]}$	REFOUT pk-pk Period Jitter	REFOUT = 10-133 MHz	–	–	265 (±133)	ps
t_{STP}	Power Down Time (pin 3 = PD#)	Time from falling edge on PD# to stopped outputs (Asynchronous)	–	150	350	ns
T_{OE1}	Output Disable Time (pin 3 = OE)	Time from falling edge on OE to stopped outputs (Asynchronous)	–	150	350	ns
T_{OE2}	Output Enable Time (pin 3 = OE)	Time from rising edge on OE to outputs at a valid frequency (Asynchronous)	–	150	350	ns
t_{PU1}	Power Up Time, Crystal is used	Time from rising edge on PD# to outputs at valid frequency (Asynchronous)	–	3.5	5	ms
t_{PU2}	Power Up Time, Reference clock is used	Time from rising edge on PD# to outputs at valid frequency (Asynchronous), reference clock at correct frequency	–	2	3	ms

Application Circuits^[4, 5]



Notes

- Since the load capacitors (C_{XIN} and C_{XOUT}) are provided by the CY22180, no external capacitors are needed on the XIN and XOUT pins to match the crystal load capacitor (C_L). Only a single 0.1- μ F bypass capacitor is required on the V_{DD} pin.
- If an external clock is used, apply the clock to XIN (pin 1) and leave XOUT (pin 8) floating (unconnected).

Switching Waveforms

Figure 1. Duty Cycle Timing ($DC = t_{1A}/t_{1B}$)

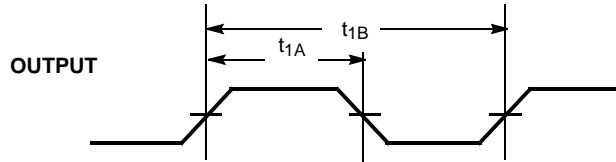
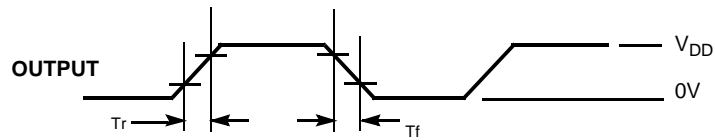


Figure 2. Output Rise/Fall Time (CLKOUT and REFOUT)



Output Rise time (T_r) = $(0.6 \times V_{DD})/SR1$ (or $SR3$)
 Output Fall time (T_f) = $(0.6 \times V_{DD})/SR2$ (or $SR4$)
 Refer to AC Electrical Characteristics table for SR (Slew Rate) values.

Figure 3. Power Down Timing and Power Up Timing

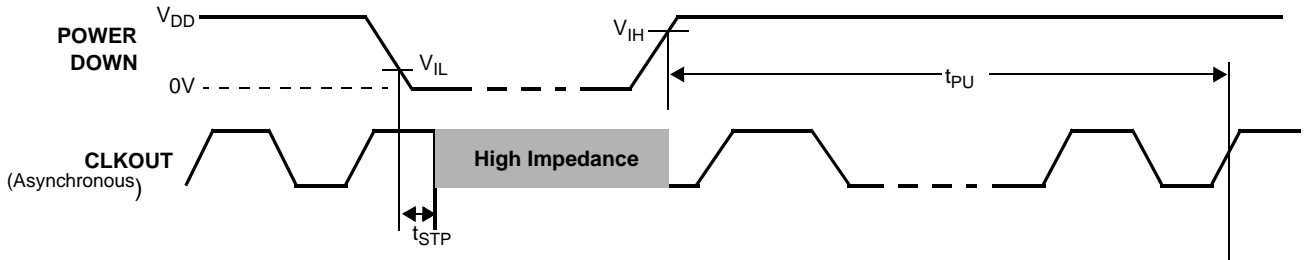
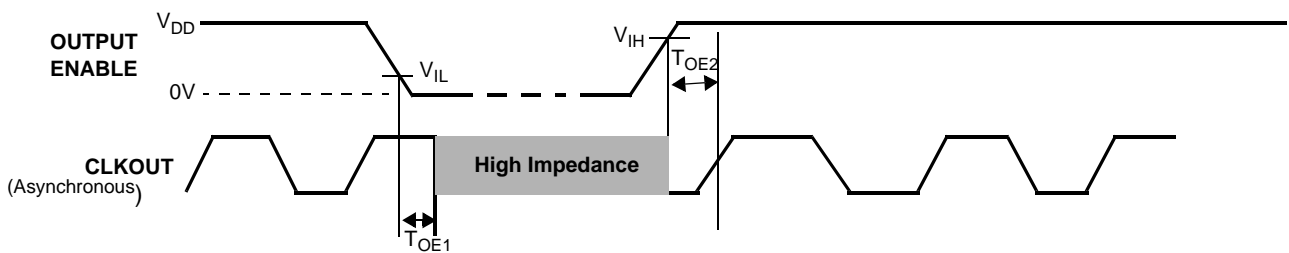


Figure 4. Output Enable/Disable Timing

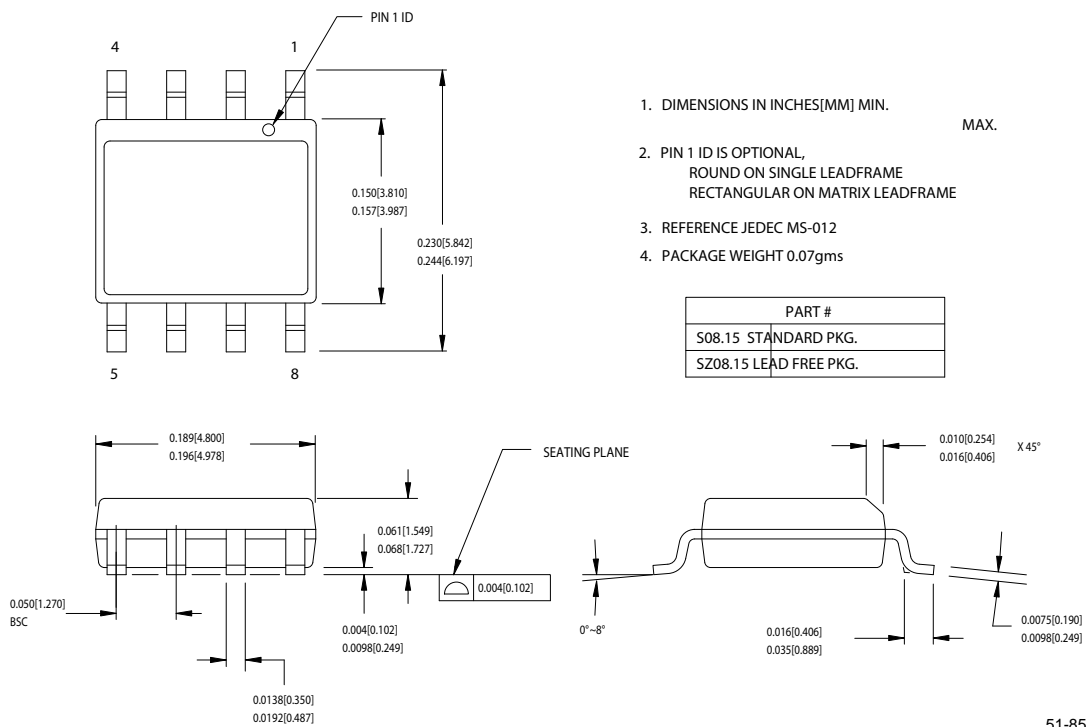


Ordering Information

Part Number ^[6]	Description	Product Flow
CY22180FSXC	Field Programmable, Pb-free	Commercial, 0 to 70°C
CY22180FSXI	Field Programmable, Pb-free	Industrial, -40 to 85°C
CY22180SXC-xxx	Factory Programmed, Pb-free	Commercial, 0 to 70°C
CY22180SXC-xxxT	Factory Programmed, Tape and Reel - Pb-free	Commercial, 0 to 70°C
CY22180SXI-xxx	Factory Programmed, Pb-free	Industrial, -40 to 85°C
CY22180SXI-xxxT	Factory Programmed, Tape and Reel - Pb-free	Industrial, -40 to 85°C
CY3672-USB	FTG programmer	n/a
CY3619	CY22180FSXC and CY22180FSXI Socket adapter	n/a

Package Diagrams

Figure 5. 8-Lead (150-Mil) SOIC S8



CyberClocks is a trademark of Cypress Semiconductor. All product and company names mentioned in this document are the trademarks of their respective holders.

Note

6. "xxx" denotes the assigned product dash number for devices that are factory-programmed.



Document History Page

Document Title: CY22180 Very Low Jitter Field and Factory Programmable Clock Generator				
Document Number: 001-15577				
REV.	ECN NO.	Issue Date	Orig. of Change	Description of Change
**	1058460	See ECN	KVM/ KKVTMP	New Data Sheet