

**REVISION S**

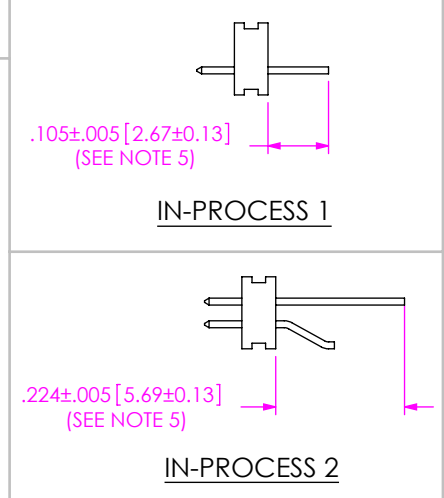
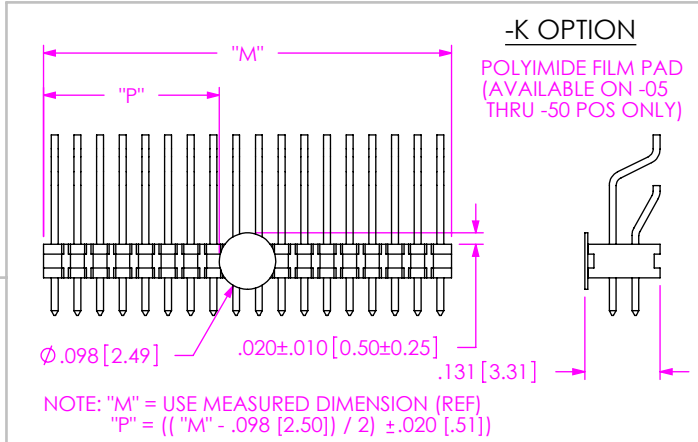
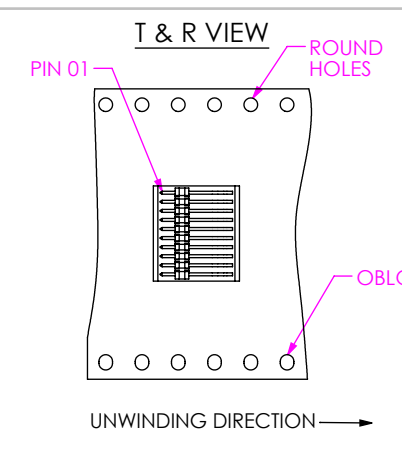
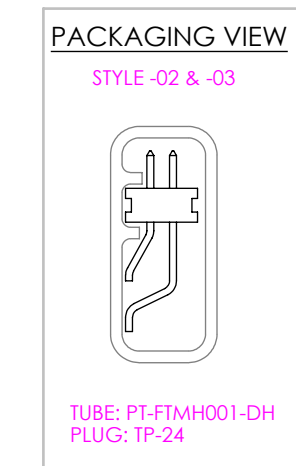
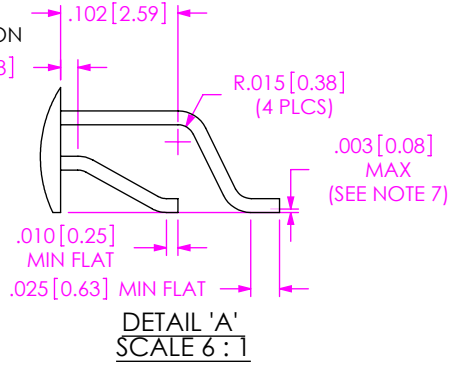
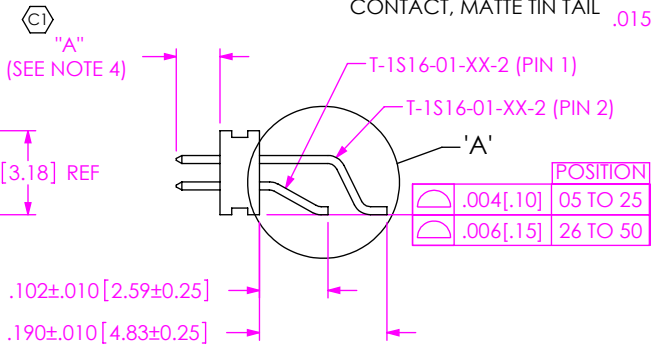
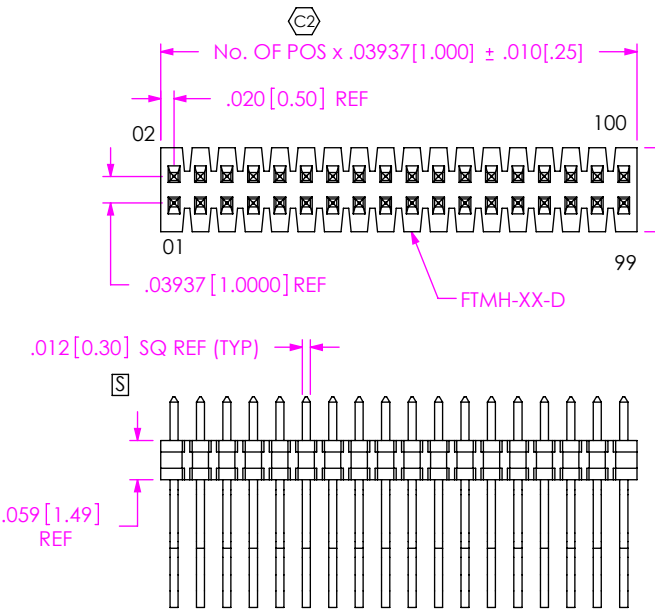
- NOTES:
1.  $\text{\textcircled{C}}$  REPRESENTS A CRITICAL DIMENSION.
  2. MAX. CUT FLASH: .015 [.38]; NO FLASH ALLOWED IN OR AROUND SURFACE MOUNT TAIL AREA.
  3. MINIMUM PUSHOUT FORCE: 1 LB.
  4. MAX. PIN VARIANCE : .005 [.13].
  5. SHEAR TAILS TO DIMENSION SHOWN, .003 [.08] MAX BURR.
  6. COPLANARITY TO BE WITHIN .004 WHEN AT POSITION 05-25 AND BE WITHIN .006 WHEN AT POSITION 26-50.
  7. PINS 1 AND 2 TO BE FLUSH TO .0030 ABOVE LINE MADE BY THE BODY.
  8. ENDWALL TO BE .008 MIN.

FTMH-1XX-XX-XX-DH-X-XX

- No OF POSITIONS  
-05 THRU -50  
( PER ROW)
- LEAD STYLE SPEC  
-03: .065 POST  
(USE T-1S16-01-X-2)  
-02: .075 POST  
( USE T-1S16-01-X-2)
- OPTION 2  
-TR: TAPE & REEL PACKAGING
- OPTION 1  
-K: POLYIMIDE FILM PAD  
(-05 THRU -50 POSITIONS ONLY)
- ROW SPECIFICATION  
-DH: DOUBLE HORIZONTAL  
(USE FTMH-75-D)
- PLATING SPEC  
-L: LIGHT SELECTIVE, 10 Au / 50 Ni MIN ON CONTACT, MATTE TIN TAIL  
-F: FLASH SELECTIVE, 3 Au / 50 Ni MIN ON CONTACT, MATTE TIN TAIL  
-H: HEAVY GOLD, 30 Au / 50 Ni MIN ON CONTACT, 3 Au / 50 Ni MIN ON TAIL  
-LM: LIGHT SELECTIVE, 10 Au / 50 Ni MIN ON CONTACT, MATTE TIN TAIL  
-FM: FLASH SELECTIVE, 3 Au / 50 Ni MIN ON CONTACT, MATTE TIN TAIL

LEAD STYLE	"A"
-02	.075 [1.91]
-03	.065 [1.65]

DO NOT SCALE FROM THIS PRINT



UNLESS OTHERWISE SPECIFIED, DIMENSIONS ARE IN INCHES.

TOLERANCES ARE:

DECIMALS	ANGLES
.X: ± .1 [2.5]	
.XX: ± .01 [0.3]	2°
.XXX: ± .005 [0.13]	
.XXXX: ± .0020 [0.051]	

PROPRIETARY NOTE  
THIS DOCUMENT CONTAINS INFORMATION CONFIDENTIAL AND PROPRIETARY TO SAMTEC, INC. AND SHALL NOT BE REPRODUCED OR TRANSFERRED TO OTHER DOCUMENTS OR DISCLOSED TO OTHERS OR USED FOR ANY PURPOSE OTHER THAN THAT WHICH IT WAS OBTAINED WITHOUT THE EXPRESSED WRITTEN CONSENT OF SAMTEC, INC.

MATERIAL:  
BODY: LCP, UL 94 VO, COLOR: BLACK  
TERMINAL: PHOS BRONZE, 510

DO NOT SCALE DRAWING SHEET SCALE: 1:1

F:\DWG\MISC\MKTG\FTMH-1XX-XX-XX-DH-X-XX-MKT.SLDDRW

520 PARK EAST BLVD, NEW ALBANY, IN 47150  
PHONE: 812-944-6733 FAX: 812-948-5047  
e-Mail info@SAMTEC.com code 53322

DESCRIPTION:  
1MM X 1MM HORIZONTAL SMT TERMINAL STRIP

DWG. NO.  
**FTMH-1XX-XX-XX-DH-X-XX**

BY: D. PURVIS 10/13/1998 SHEET 1 OF 1