

Features

- ▣▣▣▣ *Frequencies from 100MHz to 1.1GHz*
- ▣▣▣▣ *Custom specifications available*
- ▣▣▣▣ *Industry standard package configurations*
- ▣▣▣▣ *Compatible with EPCOS, Fujitsu, Murata etc*

Standard Models

| Model Number | Centre Frequency (MHz) | Freq tol (kHz) | Ports | Package | Application |
|--------------|------------------------|----------------|-------|---------|----------------|
| TC0267A | 300 | 75 | 1 | 3.9x3.9 | |
| TC0287A | 302 | 75 | 1 | 3.9x3.9 | |
| TC0252A | 302 | 75 | 1 | 5.2x5.2 | Remote Control |
| TC0253A | 303.6 | 75 | 1 | 5.2x5.2 | Remote Control |
| TC0143A | 303.825 | 75 | 1 | TO-39 | Remote Control |
| TC0141A | 303.875 | 75 | 1 | 5.2x5.2 | Remote Control |
| TC0140E | 303.875 | 75 | 1 | TO-39 | Remote Control |
| TC0268A | 310 | 75 | 1 | 3.9x3.9 | |
| TC0173A | 314.2 | 100 | 1 | 5.2x5.2 | Remote Control |
| TC0181A | 314.35 | 50 | 1 | 3.9x3.9 | Remote Control |
| TC0260A | 314.525 | 75 | 1 | 5.2x5.2 | |
| TC0166A | 315 | 150 | 1 | F-11 | Remote Control |
| TC315GD-N | 315 | 30 | 1 | 5.2x5.2 | Remote Control |
| TC0408A | 315 | 75 | 1 | TO-39 | |
| TC315GD-A | 315 | 75 | 1 | 5.2x5.2 | Remote Control |
| TC0274A | 315 | 75 | 1 | 3.1x3.1 | |
| TC0202A | 315 | 75 | 1 | TO-39 | Remote Control |
| TC315E1-A | 315 | 75 | 1 | F-11 | Remote Control |
| TC0182A | 315 | 75 | 1 | 3.9x3.9 | Remote Control |
| TC315E2 | 315 | 75 | 1 | TO-39 | Remote Control |
| TC0255A | 315.15 | 100 | 1 | 3.9x3.9 | Remote Control |
| TC0223A | 315.15 | 100 | 1 | F-11 | Remote Control |
| TC0231A | 315.5 | 100 | 1 | TO-39 | Remote Control |
| TC0368A | 315.5 | 75 | 1 | 3.9x3.9 | |
| TC0192A | 315.5 | 75 | 1 | 3.9x3.9 | Remote Control |
| TC0213A | 315.5 | 75 | 1 | 5.2x5.2 | Remote Control |
| TC0418A | 316 | 75 | 1 | TO-39 | |
| TC0465A | 316.2 | 75 | 1 | 5.0x3.5 | |
| TC0310A | 359.4 | 75 | 1 | 3.9x3.9 | |
| TC0249A | 368.805 | 25 | 1 | 3.9x3.9 | Remote Control |
| TC0276A | 368.805 | 28 | 1 | 5.2x5.2 | |
| TE0109A | 390 | 100 | 1 | 5.2x5.2 | |
| TC0165A | 390 | 100 | 1 | F-11 | Remote Control |
| TC0251A | 390 | 100 | 1 | 3.9x3.9 | Remote Control |
| TC0180A | 390 | 100 | 1 | TO-39 | Remote Control |
| TC0204A | 390 | 100 | 1 | 5.2x5.2 | Remote Control |
| TC0164A | 390 | 150 | 1 | TO-39 | Remote Control |
| TC0150A | 390 | 75 | 1 | 5.2x5.2 | Remote Control |
| TC0151A | 390 | 75 | 1 | TO-39 | Remote Control |
| TC0239A | 392.85 | 75 | 1 | 5.2x5.2 | Remote Control |
| TC0523A | 400 | 75 | 1 | 3.1x3.1 | |
| TD0111A | 403.55 | 121 | 2 | TO-39 | |
| TC0215A | 403.55 | 75 | 1 | 5.2x5.2 | Remote Control |
| TC0272A | 403.55 | 75 | 1 | 3.1x3.1 | |
| TD0112A | 414.25 | 121 | 2 | TO-39 | Remote Control |
| TC0116A | 418 | 75 | 1 | TO-39 | |
| TC0481A | 418 | 75 | 1 | 5.0x3.5 | |
| TC0117A | 418 | 75 | 1 | 5.2x5.2 | Remote Control |
| TC0248A | 433 | 100 | 1 | 3.9x3.9 | Remote Control |

Standard Models (continued)

| Model Number | Centre Frequency (MHz) | Freq tol (kHz) | Ports | Package | Application |
|--------------|------------------------|----------------|-------|---------|----------------|
| TC0261A | 433.32 | 75 | 1 | 5.2x5.2 | |
| TC0241A | 433.385 | 40 | 1 | 5.2x5.2 | Remote Control |
| TC0194A | 433.42 | 75 | 1 | 3.9x3.9 | Remote Control |
| TC0206A | 433.42 | 75 | 1 | 5.2x5.2 | Remote Control |
| TC433ID-A | 433.42 | 75 | 1 | 5.2x5.2 | Remote Control |
| TC0203A | 433.42 | 75 | 1 | TO-39 | Remote Control |
| TC0330A | 433.816 | 75 | 1 | 3.1x3.1 | |
| TC0279A | 433.9 | 45 | 1 | 5.2x5.2 | |
| TC0232A | 433.92 | 100 | 1 | F-11 | Remote Control |
| TC433E2B | 433.92 | 100 | 1 | TO-39 | |
| TC0217A | 433.92 | 150 | 1 | 5.2x5.2 | Remote Control |
| TC0318A | 433.92 | 75 | 1 | 3.9x3.9 | |
| TC0409A | 433.92 | 75 | 1 | TO-39 | |
| TC0157A | 433.92 | 75 | 1 | TO-39 | Remote Control |
| TC0244A | 433.92 | 75 | 1 | 3.1x3.1 | Remote Control |
| TD0103A | 433.92 | 75 | 2 | 5.2x5.2 | Remote Control |
| TC0269A | 433.92 | 75 | 1 | 5.0x3.5 | |
| TC0219A | 433.92 | 75 | 1 | 3.1x3.1 | Remote Control |
| TC433E1 | 433.92 | 75 | 1 | F-11 | Remote Control |
| TC433ED-A | 433.92 | 75 | 1 | 5.2x5.2 | Remote Control |
| TC0201A | 433.92 | 75 | 1 | 5.2x5.2 | Remote Control |
| TC0158A | 433.92 | 75 | 1 | F-11 | Remote Control |
| TC433E2-A | 433.92 | 75 | 1 | TO-39 | |
| TC0170A | 433.92 | 75 | 1 | 3.9x3.9 | Remote Control |
| TC0317A | 433.92 | 75 | 1 | 3.1x3.1 | |
| TD0102A | 433.92 | 75 | 2 | TO-39 | Remote Control |
| TC0243A | 433.966 | 75 | 1 | 5.2x5.2 | Remote Control |
| TC433H2-A | 433.98 | 75 | 1 | TO-39 | Remote Control |
| TD0114A | 434.42 | 75 | 2 | 5.2x5.2 | |
| TC434ED | 434.42 | 75 | 1 | 5.2x5.2 | Remote Control |
| TC0263A | 434.52 | 75 | 1 | 5.2x5.2 | |
| TC0466A | 435.2 | 75 | 1 | 5.0x3.5 | |
| TC0240A | 435.7 | 75 | 1 | TO-39 | Remote Control |
| TC0250A | 435.72 | 75 | 1 | 5.2x5.2 | Remote Control |
| TC0504A | 446 | 75 | 1 | 5.2x5.2 | |
| TC0280A | 455 | 100 | 1 | 3.9x3.9 | |
| TC0281A | 456 | 100 | 1 | 3.9x3.9 | |
| TC0282A | 460 | 100 | 1 | 3.9x3.9 | |
| TC0283A | 462.5375 | 100 | 1 | 3.9x3.9 | |
| TC0238A | 479.45 | 75 | 1 | 3.1x3.1 | |
| TC0416A | 480.225 | 40 | 1 | 3.1x3.1 | |
| TC0513A | 491.835 | 30 | 1 | 3.1x3.1 | |
| TC0378A | 500 | 35 | 1 | 3.1x3.1 | |
| TC0273A | 500.3 | 50 | 1 | 3.9x3.9 | |
| TC0340A | 614.726 | 35 | 1 | 3.1x3.1 | |
| TC0304A | 622.017 | 31-37 | 1 | 3.9x3.9 | |
| TC0307A | 622.018 | 31 | 1 | 3.9x3.9 | |
| TC0325A | 622.08 | +30-40 | 1 | 3.1x3.1 | |
| TC0137A | 622.08 | 75 | 1 | 3.9x3.9 | Remote Control |
| TC0200A | 622.08 | 90 | 1 | 3.9x3.9 | Remote Control |

Continued on next page...

Ordering Information

Product name + model number
eg: **GSRs TC0261A**

- ◆ Pad configurations and package heights may vary from those shown - please ask for a full specification sheet before ordering
- ◆ Full specifications of all models are available on request

Standard Models (continued)

| Model Number | Centre Frequency (MHz) | Freq tol (kHz) | Ports | Package | Application |
|--------------|------------------------|----------------|-------|---------|----------------|
| TC0254A | 622.164 | 50 | 1 | 3.9x3.9 | Sonet |
| TC0172A | 622.31 | 20 | 1 | 3.9x3.9 | Remote Control |
| TC0246A | 622.31 | 30 | 1 | 3.1x3.1 | |
| TC0302A | 622.41 | 35 | 1 | 3.1x3.1 | |
| TC0506A | 622.41 | 35 | 1 | 3.1x3.1 | |
| TC0264A | 644.60859 | 30 | 1 | 3.9x3.9 | |
| TC0308A | 644.769 | 40 | 1 | 3.9x3.9 | |
| TC0429A | 644.873 | 30 | 1 | 3.9x3.9 | |
| TC0532A | 644.873 | 30 | 1 | 3.1x3.1 | |
| TC0355A | 644.873 | 60 | 1 | 3.1x3.1 | |
| TC0270A | 649.046 | 30-40 | 1 | 3.1x3.1 | |
| TC0265A | 657.4876 | 30 | 1 | 3.1x3.1 | |
| TC0237A | 666.6043 | 30 | 1 | 3.9x3.9 | |
| TC0247A | 666.761 | 30 | 1 | 3.1x3.1 | |
| TC0236A | 669.4169 | 30 | 1 | 3.9x3.9 | |
| TC0224A | 669.557 | 30 | 1 | 3.9x3.9 | Remote Control |
| TC0321A | 669.557 | 40 | 1 | 3.1x3.1 | |
| TC0413A | 669.694 | 40 | 1 | 3.1x3.1 | |
| TC0334A | 671.086 | 40 | 1 | 3.1x3.1 | |
| TC0356A | 671.194 | 60 | 1 | 3.1x3.1 | |
| TC0320A | 672.411 | 40 | 1 | 3.1x3.1 | |
| TC0412A | 672.531 | 40 | 1 | 3.1x3.1 | |
| TC0266A | 690.65026 | 30 | 1 | 3.9x3.9 | |
| TC0379A | 719.75 | 35 | 1 | 3.1x3.1 | |
| TC0309A | 737.552 | 44 | 1 | 3.1x3.1 | |
| TC0399A | 737.67 | 44 | 1 | 3.1x3.1 | |
| TC0183A | 740.545 | 125 | 1 | 3.9x3.9 | Remote Control |
| TC0184A | 742.545 | 125 | 1 | 3.9x3.9 | Remote Control |
| TC0305A | 744.8 | 125 | 1 | 3.9x3.9 | |
| TC0185A | 745.795 | 125 | 1 | 3.9x3.9 | Remote Control |
| TC0186A | 752.045 | 125 | 1 | 3.9x3.9 | Remote Control |
| TC0483A | 768.407 | 36 | 1 | 3.1x3.1 | |
| TC0187A | 772.42 | 125 | 1 | 3.9x3.9 | Remote Control |
| TC0188A | 776.795 | 125 | 1 | 3.9x3.9 | Remote Control |
| TC0314A | 800 | 75 | 1 | 3.9x3.9 | |
| TC0153A | 801.556 | 125 | 1 | 3.9x3.9 | Remote Control |
| TC0175A | 802.056 | 125 | 1 | 3.9x3.9 | Remote Control |
| TC0152A | 803.306 | 125 | 1 | 3.9x3.9 | Remote Control |
| TC0176A | 803.931 | 125 | 1 | 3.9x3.9 | Remote Control |
| TC0177A | 804.681 | 125 | 1 | 3.9x3.9 | Remote Control |
| TC0178A | 804.931 | 125 | 1 | 3.9x3.9 | Remote Control |
| TC0517A | 832.458 | 35 | 1 | 3.1x3.1 | |
| TC0537A | 834.64 | 50 | 1 | 3.1x3.1 | |
| TC0207A | 868.275 | 75 | 1 | 5.2x5.2 | Remote Control |
| TC0193A | 868.3 | 75 | 1 | 5.2x5.2 | Remote Control |
| TC0277A | 868.35 | 100 | 1 | 3.9x3.9 | |
| TD0110A | 868.35 | 100 | 2 | 5.2x5.2 | Remote Control |
| TC0138A | 868.35 | 150 | 1 | 5.2x5.2 | Remote Control |
| TC0205A | 868.35 | 150 | 1 | 3.9x3.9 | Remote Control |
| TC0144A | 868.35 | 200 | 1 | 5.2x5.2 | Remote Control |
| TC0163A | 868.35 | 75 | 1 | 3.9x3.9 | Remote Control |
| TC0196A | 868.35 | 75 | 1 | 5.2x5.2 | Remote Control |
| TC0145A | 868.35 | 75 | 1 | TO-39 | Remote Control |
| TC0322A | 868.95 | 100 | 1 | 3.1x3.1 | |
| TC0315A | 907.2 | 125 | 1 | 3.9x3.9 | |
| TC0278A | 915 | 100 | 1 | 3.9x3.9 | |
| TD0105A | 915 | 150 | 2 | 5.2x5.2 | Remote Control |
| TD0106A | 915 | 150 | 2 | 5.2x5.2 | Remote Control |
| TC0234A | 915 | 150 | 1 | 5.2x5.2 | |
| TD0125A | 915 | 250 | 2 | 3.1x3.1 | |

Standard Models (continued)

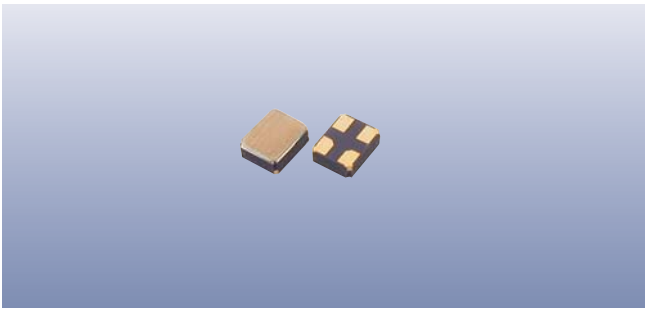
| Model Number | Centre Frequency (MHz) | Freq tol (kHz) | Ports | Package | Application |
|--------------|------------------------|----------------|-------|---------|----------------|
| TC0402A | 915.5 | 75 | 1 | 3.9x3.9 | |
| TC0403A | 915.75 | 75 | 1 | 3.9x3.9 | |
| TC0404A | 916 | 75 | 1 | 3.9x3.9 | |
| TC0391A | 916.5 | 75 | 1 | 3.1x3.1 | |
| TC0154A | 916.5 | 75 | 1 | 5.2x5.2 | Remote Control |
| TC0286A | 933.05 | 105 | 1 | 3.9x3.9 | |
| TC0528A | 1000 | 125 | 1 | 3.1x3.1 | |
| TC0306A | 1000 | 125 | 1 | 3.9x3.9 | |
| TC0337A | 1000 | 50 | 1 | 3.9x3.9 | |
| TC0539A | 1008 | 50 | 1 | 3.9x3.9 | |
| TD0116A | 1090 | 200 | 2 | 3.9x3.9 | |

Ordering Information

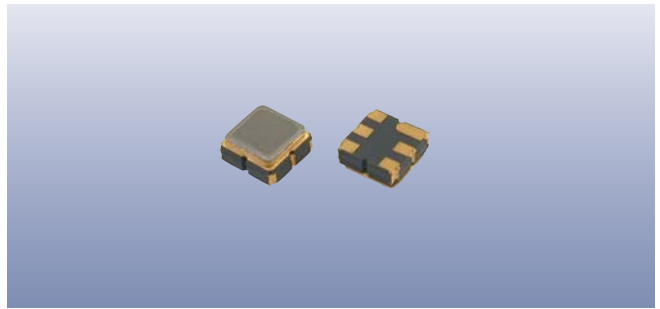
Product name + model number
eg: **GSRs TC0413A**

- ◆ Pad configurations and package heights may vary from those shown - please ask for a full specification sheet before ordering
- ◆ Full specifications of all models are available on request

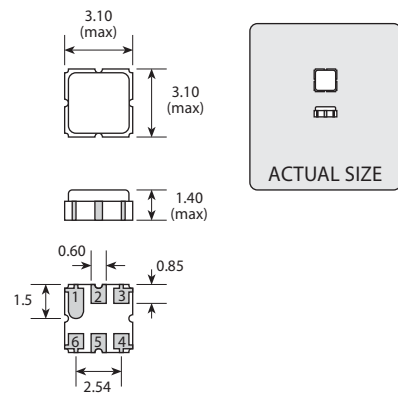
2.5 x 2.0



3.1 x 3.1



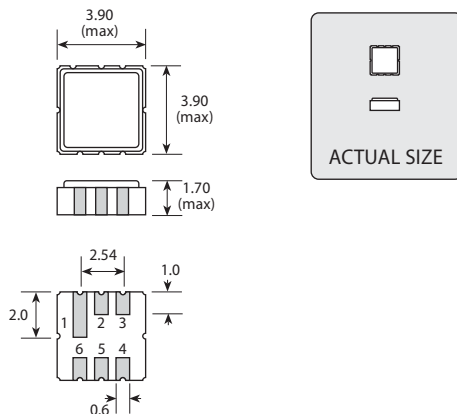
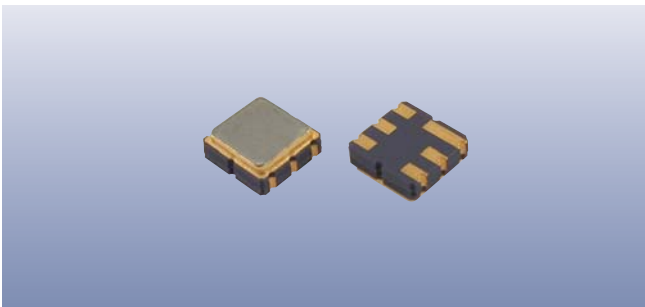
DRAWING UNDER DEVELOPMENT



Scale 3:1

Pad connections may vary by model. Check the full specification sheet before ordering

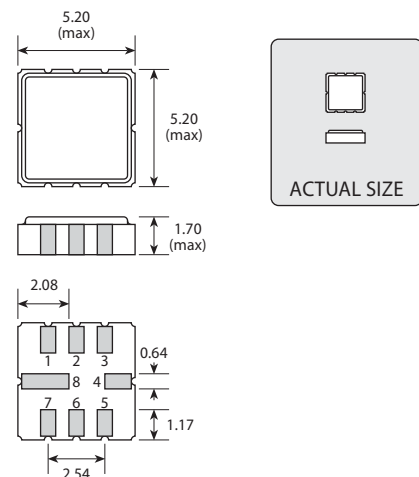
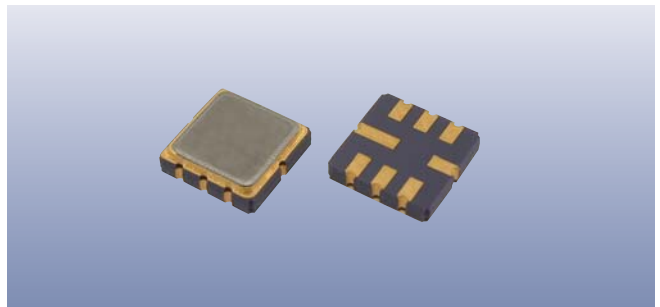
3.9 x 3.9



Scale 3:1

Pad connections may vary by model. Check the full specification sheet before ordering

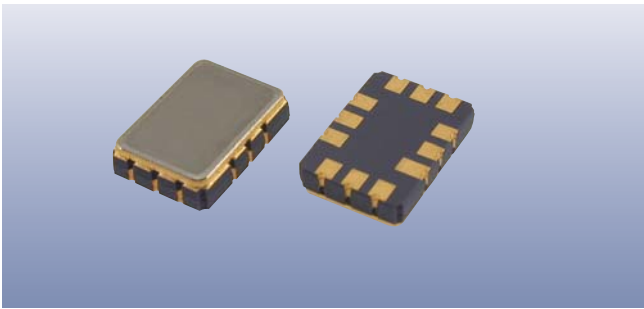
5.2 x 5.2



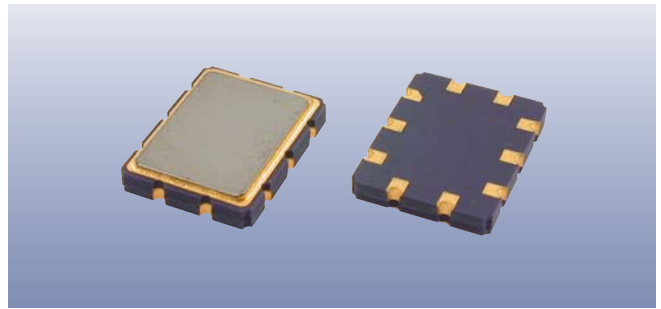
Scale 3:1

Pad connections may vary by model. Check the full specification sheet before ordering

7.0 x 5.0



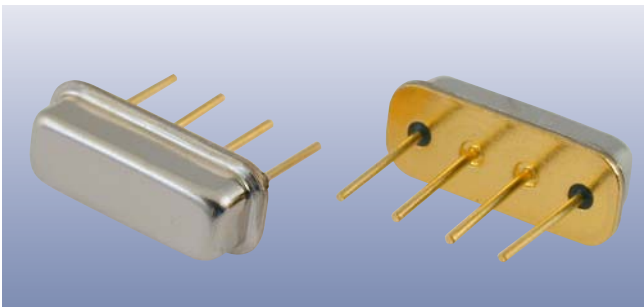
9.1 x 7.1



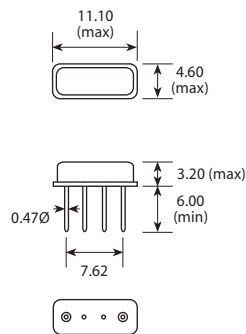
DRAWING UNDER DEVELOPMENT

DRAWING UNDER DEVELOPMENT

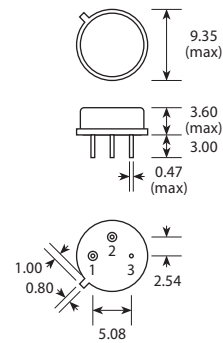
F-11



TO-39



Scale 1:1



Scale 1:1