

NC500 / 500SM Series

200 kHz to 5 GHz



Noise Modules for BITE

The NC500 (through hole) and NC500SM (surface mount) Series noise modules are an economical solution for built-in test requirements. They contain complete bias circuits and require no external components.

The surface mount package is suitable for mounting on microstrip. The modules produce extremely flat output power versus frequency characteristic that is insensitive to temperature and voltage variations.

The NC500 Series modules are housed in a TO-8 metal can, and require 0.2 to 5 mA, while the 500SM Series modules are housed in a surface mount plastic package. Both typically require 5 mA and produce a minimum of 31 dB ENR of white Gaussian noise. The NC510 and 510SM Series typically require 15 mA and have higher output with a minimum of 51 dB ENR.

Typical applications for these noise modules include built-in test equipment (BITE), signal strength meters for cellular, PCS, CATV, calibrators, spectrum analyzers, radar warning receivers (RWR), and dither A/D quantization error. Noise Com can optimize frequency range, voltage and output levels for specific applications. Most models are available from stock.

When ordering, add the suffix "SM" to the model number to denote the surface mount version. If the suffix is not included, the drop-in version will be supplied.
(Optional custom screening available)

Applications

- Built-in test equipment (BITE)
- Signal strength meters for cellular, PCS and CATV
- Calibrators
- Spectrum analyzers
- Radar warning receivers (RWR)
- Dither A/D quantization error
- Gain-bandwidth product testing

| Model For +12 V Supply | Model For +15 V Supply | Model For +28 V Supply | Frequency Range | Minimum Output ENR (dB) @ R _i (Ω) | | Output Flatness (dB) | I (Max) (mA) |
|---------------------------|---------------------------|---------------------------|--------------------|---|----|-------------------------|-----------------|
| NC501/12 | NC501/15 | NC501 | 200 kHz - 500 MHz | 31 | 50 | ±0.5 | 10 |
| NC502/12 | NC502/15 | NC502 | 200 kHz - 1 GHz | 31 | 50 | ±1.0 | 10 |
| NC503/12 | NC503/15 | NC503 | 200 kHz - 2 GHz | 31 | 50 | ±1.5 | 10 |
| NC504/12 | NC504/15 | NC504 | 200 kHz - 3 GHz | 31 | 50 | ±1.5 | 10 |
| NC505/12 | NC505/15 | NC505 | 200 kHz - 4 GHz | 31 | 50 | ±2.0* | 10 |
| NC506/12 | NC506/15 | NC506 | 200 kHz - 5 GHz | 31 | 50 | ±2.5* | 10 |
| NC511/12 | NC511/15 | N/A | 200 kHz - 500 MHz | 51 | 50 | ±2.0 | 30 |
| NC512/12 | NC512/15 | N/A | 200 kHz - 1 GHz | 51 | 50 | ±2.0 | 30 |
| NC513/12 | NC513/15 | N/A | 200 kHz - 2 GHz | 51 | 50 | ±2.0 | 30 |

1. Military version in compliance with MIL-E-5400T Class 2 (add suffix M). Not available in surface mount, NC501 to NC506 Series only.

2. Add SM for surface mount. Otherwise TO-8 is standard.

* Flatness ±4.0 for SM Series of these models.

Specifications

| | |
|--------------------------------|---|
| Output | White Gaussian noise |
| Minimum power output | 31 dB ENR (-143 dBm/Hz) 51 dB ENR (-123 dBm/Hz) |
| Crest factor | 5:1 |
| Supply current | 0.2 to 5 mA (NC500 Series) 10 to 20 mA (NC510 Series) |
| Temperature coefficient | 0.01 dB/°C |
| Supply sensitivity | 0.1 dB/%ΔV |
| Operating temperature | 0° C to +70° C (surface mount) -55° C to 85° C (drop-in) |
| Storage temperature | -65° to +150° C |
| Packaging | Drop-in or surface mount |
| Power | +12, +15 V or +28 V |
| Absolute maximum input voltage | +30 V for +15 V models +40 V for +28 V models |

Wireless Telecom Group Inc.

25 Eastmans Rd
Parsippany, NJ 07054

Sales Offices

Parsippany, NJ
United States
Tel: +1 973 386 9696
Fax: +1 973 386 9191
www.noisecom.com

Cheadle Hulme, Cheshire
United Kingdom

Tel: +44 (0) 161 486 3353
Fax: +44 (0) 161 486 3354

Roissy

France

Tel: +33 (0) 1 72 02 30 30

Fax: +33 (0) 1 49 38 01 06

Ismaning

Germany

Tel: +49 (0) 89 996 41 0

Fax: +49 (0) 89 996 41 440

Singapore

Tel: +65 6827 9670

Fax: +65 6827 9601

Shanghai

China

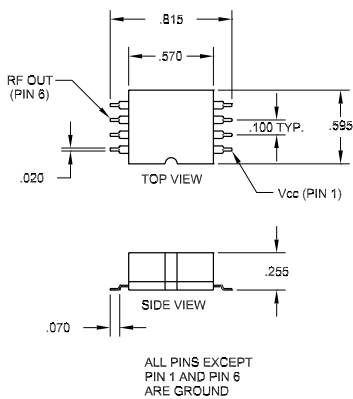
Tel: +86 21 5835 5718

Fax: +86 21 5835 5238

© Copyright 2008
All rights reserved.

NC/NC500/0908/EN
Note: Specifications, terms and conditions
are subject to change without prior notice.

NC500 Series Dimensions (inches)



NC500SM Series Dimensions (inches)

