

DATA CONTAINED IN THIS DOCUMENT IS PROPRIETARY TO TROMPETER ELECTRONICS INC. AND SHALL NOT BE DISCLOSED, COPIED OR USED FOR PROCUREMENT OR MANUFACTURE WITHOUT EXPRESS WRITTEN PERMISSION OF TROMPETER ELECTRONICS INC.

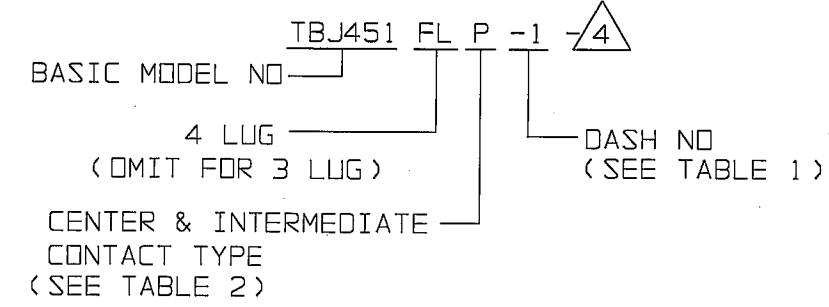
REVISIONS		3-0242	SH 1
REV	DESCRIPTION	DATE	APPROVED
B	REVISED PER ECD 14937	2/25/03	WJ

DASH NO	DESCRIPTION
-1	TERM (NO CHAIN)
-2	TERM WITH 2.5 BRASS CHAIN
-3	TERM WITH 2.5 NYLON CHAIN
-4	TERM WITH 3.0 BRASS CHAIN
-5	TERM WITH 3.0 NYLON CHAIN
-6	TERM WITH 6.0 BRASS CHAIN
-7	TERM WITH 6.0 NYLON CHAIN

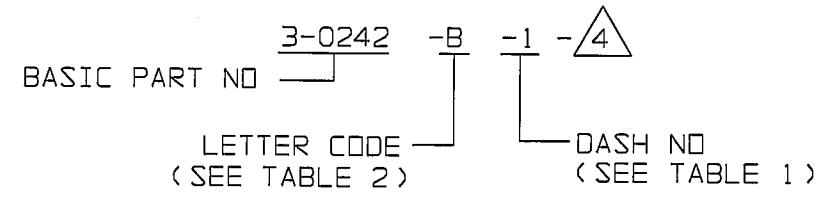
MODEL NO	LTR CODE	TYPE	CENTER CONTACT / INTMD CONTACT TYPE
TBJ451P	A	3LUG	SOCKET / PIN
TBJ451S	B		PIN / SOCKET
TBJ451FLP	C	4LUG	SOCKET / PIN
TBJ451FLS	D		PIN / SOCKET

7. MAX PANEL THK .156

6. EXAMPLE OF COMPLETE MODEL NO:



5. EXAMPLE OF COMPLETE PART NO:

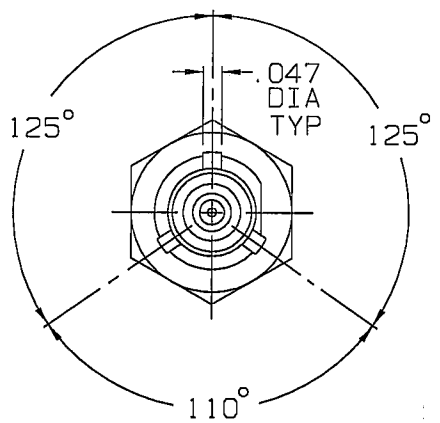
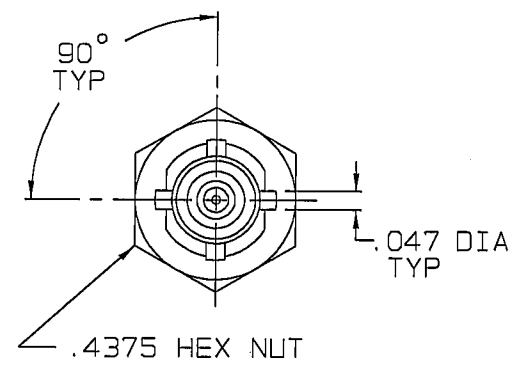


**4** RESISTANCE VALUE IN OHMS, 1W, 1%,  
 "S" = CONTACT SHORTED TO INNER SHIELD (NO RESISTOR)  
 "D" = LOOSELY ASSEMBLED (NO RESISTOR)

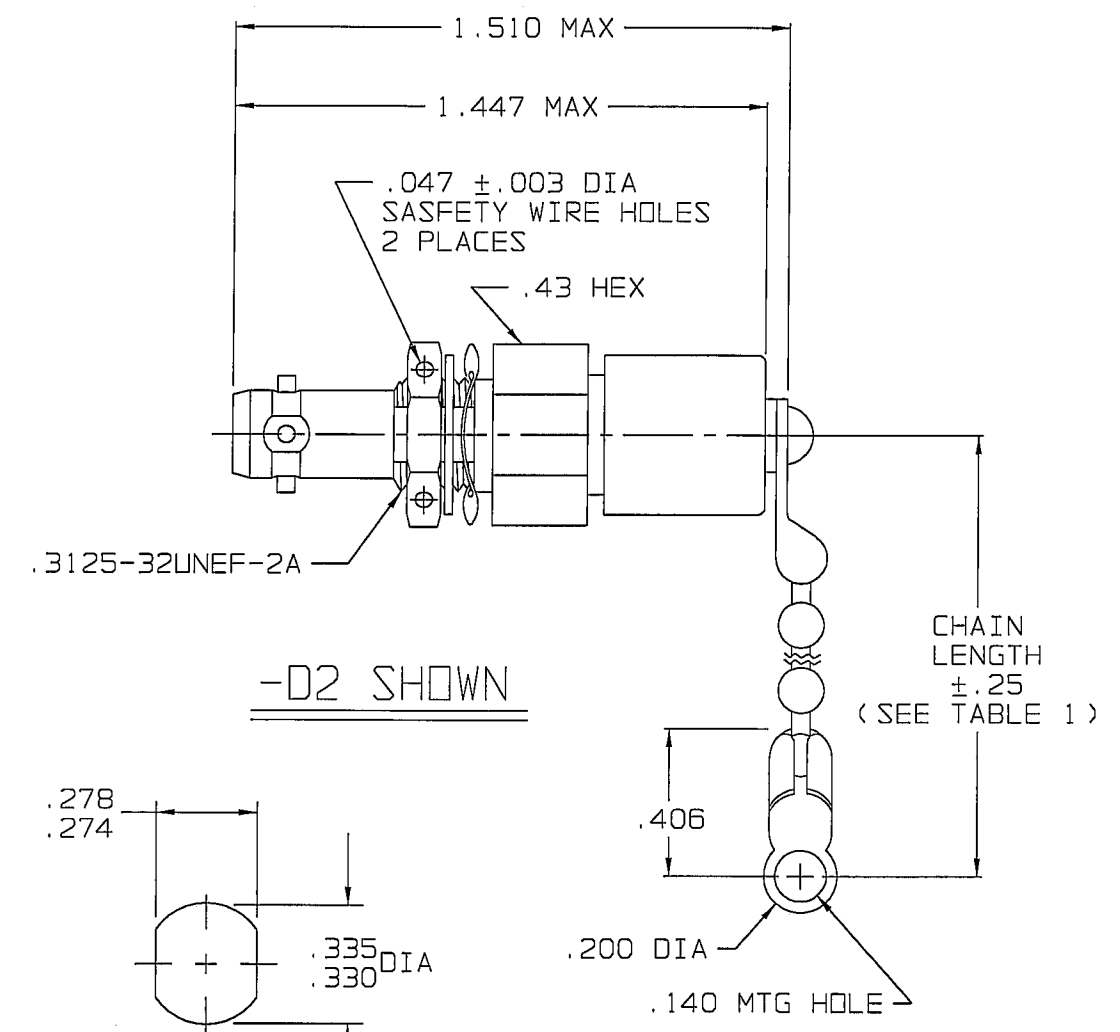
3. 3 & 4 LUG CONCENTRIC TWINAX 450 SERIES TERMINATION NONINSULATED REAR MOUNT BULKHEAD RECEPTACLE WITH CENTER PIN / INTERMEDIATE SOCKET OR CENTER SOCKET / INTERMEDIATE PIN

2. FINISH: TFS-1U (500 HOURS SALT SPRAY)

1. ALL DIM ARE IN INCHES



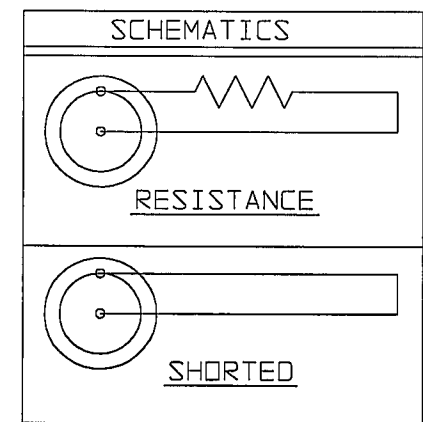
-B1 SHOWN



-D2 SHOWN

RECOMMENDED PANEL CUTOUT

**RED INDICATES ORIGINAL**



INTERPRET DRAWING PER MIL-STD-100 DIMENSIONS ARE IN INCHES AND INCLUDE FINISH THICKNESS UNLESS OTHERWISE SPECIFIED	TOL: UNLESS SPECIFIED .XX .XXX ±.010 .XXXX		TITLE:	TBJ451/FL/P/S	
DRAWN: AAH CHECKED: JCM DUAL: JCM DATE: 2-18-03 DATE: 2-19-03 DATE: 2/25/03 DATE: 2/25/03 DATE: 2/24/03	MATERIAL:		SIZE: B	CAGE CODE: 14949	DRAWING NO.: 3-0242
NEXT ASSY: CAD FILE NO. 3-0242B	DD NOT SCALE DWG	SCALE: 4/1	DATE: 3/29/88	SHEET: 1C	