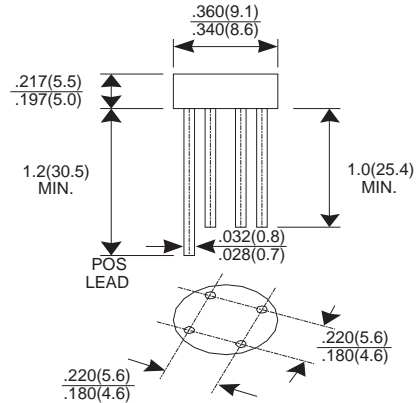




# 1.5 Amp SINGLE PHASE SILICON BRIDGE Mechanical Dimensions

**W005 . . . 10 Series**



**WOB**

Dimensions in inches and (millimeters)

**Features**

- **COMPACT SIZE**
- **200 AMP SURGE OVERLOAD RATING**
- **LOW LEAKAGE CURRENT**
- **MEETS UL SPECIFICATION 94V-0**
- **WEIGHT: 1.1GRAMS**

<b>W005 . . . 10 Series</b>								<b>Units</b>
<b>Maximum Ratings</b>	<b>W005</b>	<b>W01</b>	<b>W02</b>	<b>W04</b>	<b>W06</b>	<b>W08</b>	<b>W10</b>	
Peak Repetitive Reverse Voltage... $V_{RRM}$	50	100	200	400	600	800	1000	Volts
RMS Reverse Voltage... $V_{R(rms)}$	35	70	140	280	420	560	700	Volts
DC Blocking Voltage... $V_{DC}$	50	100	200	400	600	800	1000	Volts
Average Forward Rectified Current... $I_{F(av)}$ $T_A = 25^\circ C$	1.5							Amps
Non-Repetitive Peak Forward Surge Current... $I_{FSM}$ 8.3 ms Single 1/2 Sine Wave Imposed on Rated Load	50							Amps
Operating & Storage Temperature Range... $T_J, T_{STRG}$	-55 to 125							°C
<b>Electrical Characteristics</b>								
Maximum Forward Voltage... $V_F$ Per Bridge Element @ 1.0 Amp	1.0							Volts
Maximum DC Reverse Current Per Bridge Element... $I_R$ @ Rated DC Blocking Voltage	$T_A = 25^\circ C$							μAmps mAmps
	$T_A = 100^\circ C$							

**RATINGS AND CHARACTERISTIC CURVES W005 THRU W10**

FIG.1 - FORWARD CURRENT DERATING CURVE

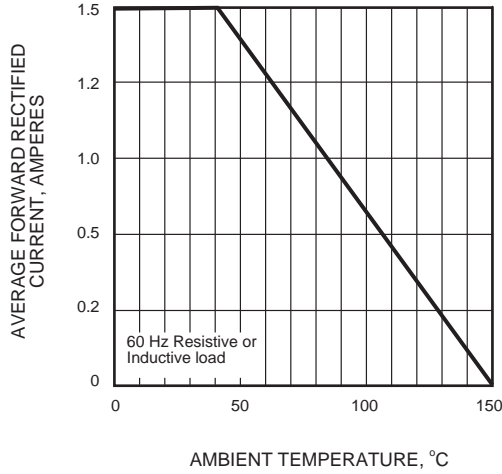


FIG.2 - MAXIMUM NON-REPETITIVE PEAK FORWARD SURGE CURRENT

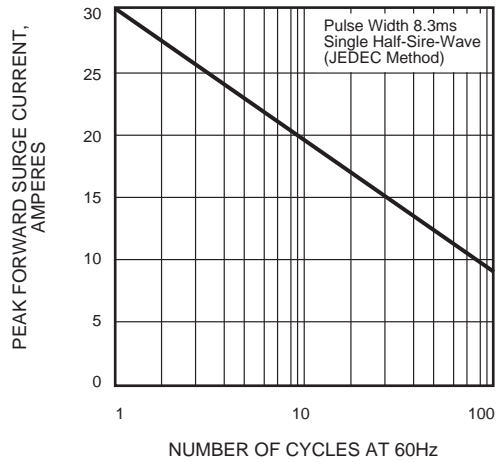


FIG.3 - TYPICAL INSTANTANEOUS FORWARD CHARACTERISTICS

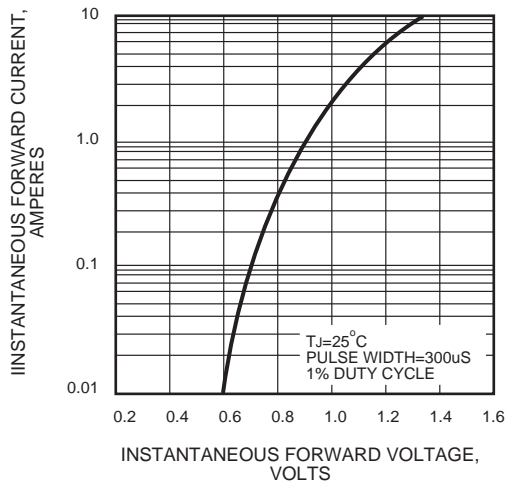


FIG.4 - TYPICAL REVERSE CHARACTERISTICS

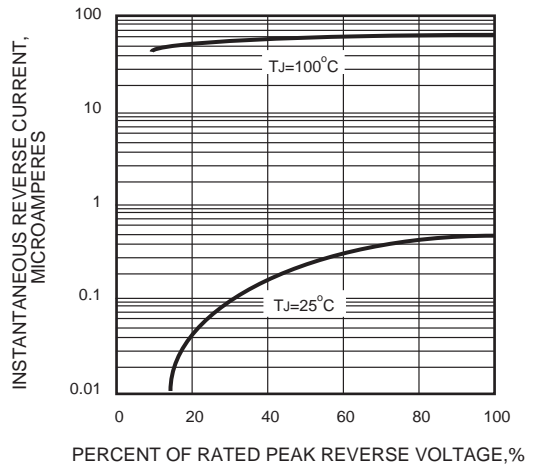


FIG.5 - TYPICAL JUNCTION CAPACITANCE

