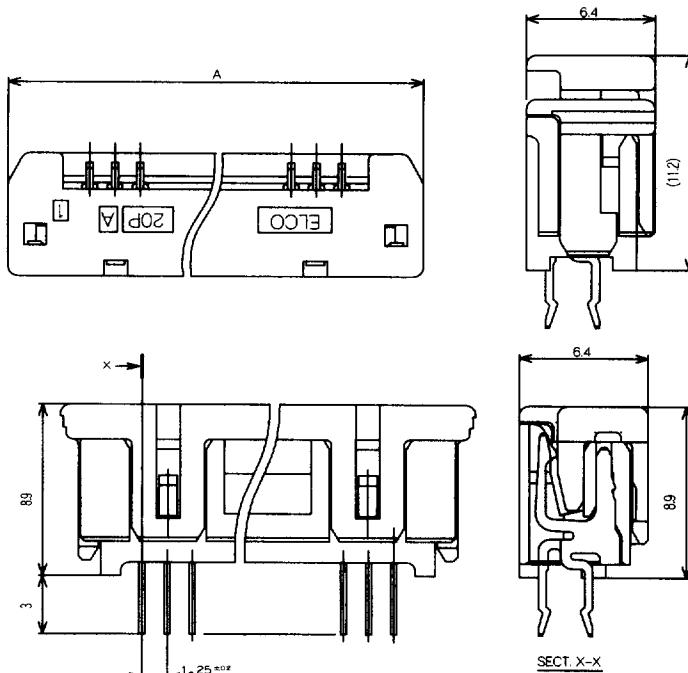


1.25mm Pitch

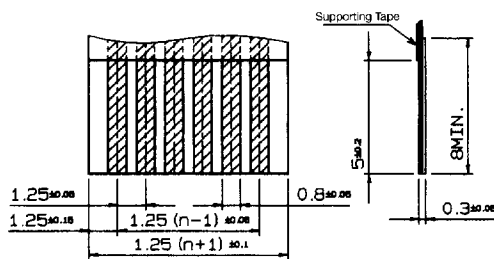
Series 6205



ZIF Straight Through-Hole



MOUNTING LAYOUT
(t=1.6mm)



FFC, FPC SPECIFICATION

Specifications

- Number of Contacts – 8-40
- Tray Packaged
- Voltage – 125 V
- Current Rating – 1.0 amp max.
- Dielectric Withstanding Voltage – 500V RMS min.
- Operating Temperature – (-40°C - +90°C)
- Contact Material – phosphor bronze (tin-lead plated)
- Insulator Material – glass-filled PBT, (UL 94 V-O) black color
- Slider Material – glass-filled PBT, (UL 94 V-O) beige color
- FFC/FPC Thickness – 0.3 ±0.05 mm (0.012 ±0.002")
- PCB Thickness – 1.6mm (0.063")
- Profile Height – 8.9mm (0.350")

PART NUMBER	NO. OF CONTACTS	A	B	QTY. PER TRAY
00 6205 080 500 825	8	16.85	8.75	147
090	9	18.10	10.00	140
100	10	19.35	11.25	133
110	11	20.60	12.50	119
120	12	21.85	13.75	112
130	13	23.10	15.00	105
140	14	24.35	16.25	105
150	15	25.60	17.50	98
160	16	26.85	18.75	91
170	17	28.10	20.00	91
180	18	29.35	21.25	84
190	19	30.60	22.50	84
200	20	31.85	23.75	77
210	21	33.10	25.00	77
220	22	34.35	26.25	70
230	23	35.60	27.50	70
240	24	36.85	28.75	63
250	25	38.10	30.00	63
260	26	39.35	31.25	63
270	27	40.60	32.50	63
280	28	41.85	33.75	56
290	29	43.10	35.00	56
300	30	44.35	36.25	56
310	31	46.60	37.50	49
320	32	47.85	38.75	49
330	33	49.10	40.00	49
340	34	50.35	41.25	49
350	35	51.60	42.50	49
360	36	52.85	43.75	42
370	37	54.10	45.00	42
380	38	55.35	46.25	42
390	39	56.60	47.50	42
00 6205 400 500 825	40	57.85	48.75	42

(Dimensions: mm)

ORDERING CODE

00 6205 XX0 500 825

NUMBER OF CONTACTS (08-40)

TRAY PACKAGE