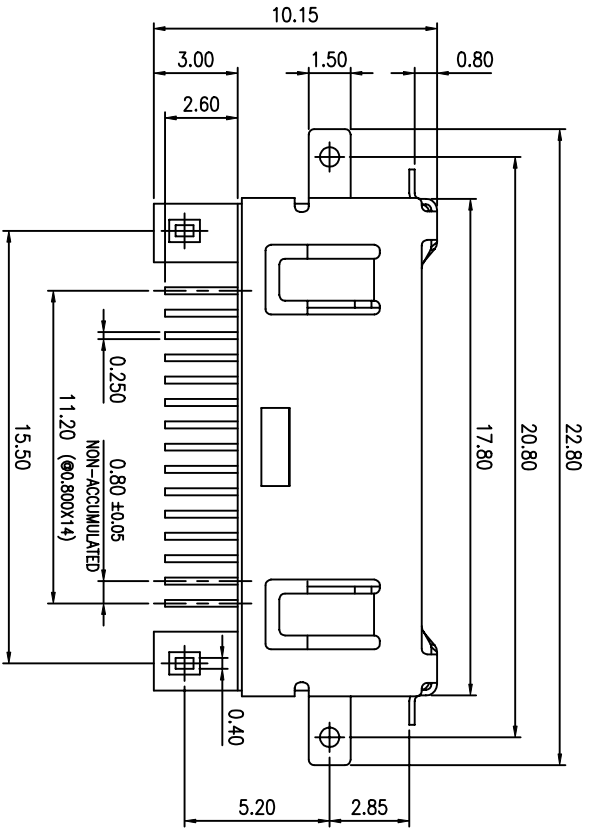
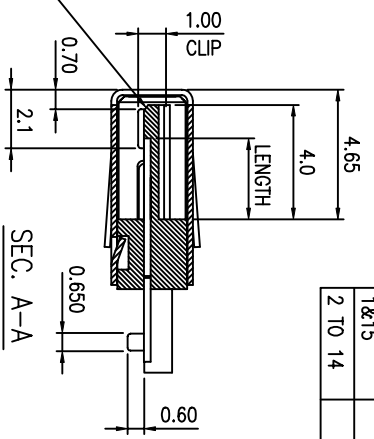
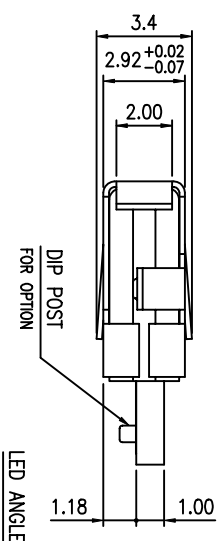
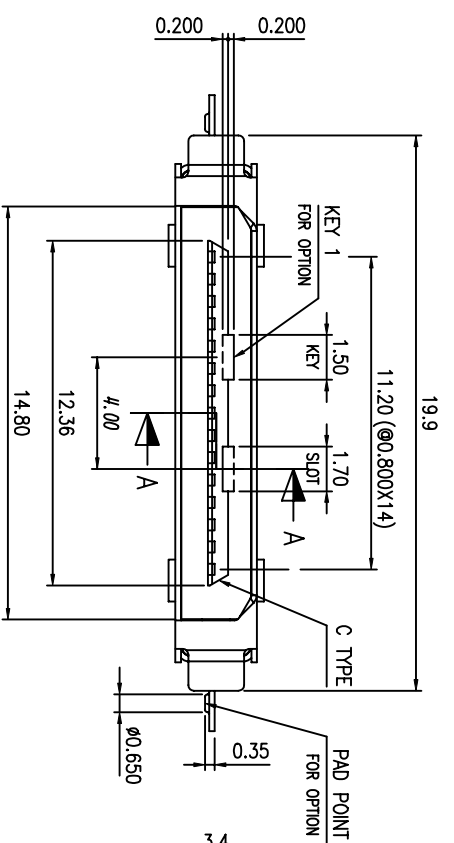


PIN NO.	LENGTH
1&15	3.80
2 TO 14	2.90



MATERIAL :  
INSULATOR..... HIGH TEMPERATURE NYLON +30% GLASS REINFORCED  
UL94 V-0 , BLACK  
CONTACT..... PHOSPHOR BRONZE , C5191R-H  
SHIELDING..... COPPER ALLOY  
CLIP..... STAINLESS STEEL , SUS301R-1/2H  
POST..... BRASS

PROJECTION	TOLERANCE UNLESS OTHERWISE SPECIFIED		TITLE
	LINEAR	ANGLE	
UNITS	0 ± 0.15	X REF ± 5'	STARCONN 廣電電子股份有限公司 CHIEF LAND ELECTRONIC CO.,LTD.
	MM/INCH	X' ± 2'	
SCALE	.000 ± 0.05	X'X' ± 1'	PCMCIA I/O BOARD 15-POS. C TYPE CONNECTOR
SIZE	DRAW. Name Chuan	DATE 12-18-97	DWG. NO. 059B15-XCX1X
A3	CHKD. Name Chuan	DATE 10-27-98	CAD NO.
	APPD. Name Chuan	DATE 10-27-98	REV. E05933-5
			SHEET 5/6

REV.	ECN NO.	DATE
B	CN8022	06-15-'98
C	CN8084	10-27-'98