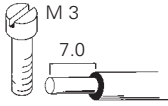
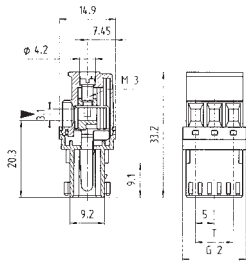


# wiecon

## RAST 5 Tab connectors

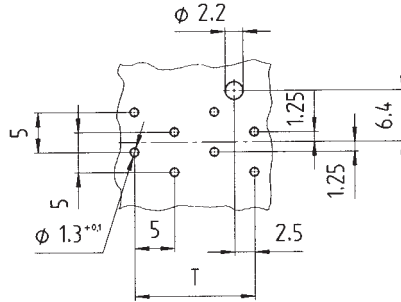


### Type 8105 B/... C... VL OB

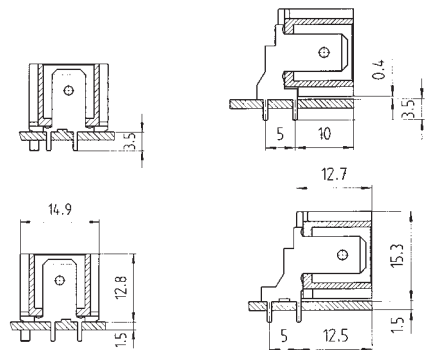
No. 26 – 12 AWG      300 V    10 A  
No. 26 – 12 AWG      300 V    10 A



### Bore hole plan, side view



No positioning stud for version  
8105 F/... WC ...OB



### Type 8105 F/... GC ... OB / 8105 F/... WC... OB

No. 26 – 12 AWG      300 V    10 A  
No. 26 – 12 AWG      300 V    10 A



Part no.	Std. pack	G1	G2	G3	T	Part no.	Part no.
unmarked					<b>RAST 5</b>	unmarked	unmarked
15.010.0253.0	100	10	11.8		5	15.301.0258.9	15.311.0258.9
15.011.0253.0	100	10	11.8	12	5	15.302.0258.9	15.312.0258.9
15.012.0253.0	100	10	11.8	12	5	15.303.0258.9	15.313.0258.9
15.013.0253.0	100	10	11.8	12	5	15.304.0258.9	15.314.0258.9
15.014.0253.0	100	10	11.8	12	5	15.305.0258.9	15.315.0258.9
15.015.0253.0	100	10	11.8	12	5	15.306.0258.9	15.316.0258.9
15.016.0253.0	100	10	11.8	12	5	15.307.0258.9	15.317.0258.9
15.010.0353.0	100	15	16.8		10	15.301.0358.9	15.311.0358.9
15.011.0353.0	100	15	16.8	17	10	15.302.0358.9	15.312.0358.9
15.012.0353.0	100	15	16.8	17	10	15.303.0358.9	15.313.0358.9
15.013.0353.0	100	15	16.8	17	10	15.304.0358.9	15.314.0358.9
15.014.0353.0	100	15	16.8	17	10	15.305.0358.9	15.315.0358.9
15.015.0353.0	100	15	16.8	17	10	15.306.0358.9	15.316.0358.9
15.016.0353.0	100	15	16.8	17	10	15.307.0358.9	15.317.0358.9
15.010.0453.0	50	20	21.8		15	15.301.0458.9	15.311.0458.9
15.011.0453.0	50	20	21.8	22	15	15.302.0458.9	15.312.0458.9
15.012.0453.0	50	20	21.8	22	15	15.303.0458.9	15.313.0458.9
15.013.0453.0	50	20	21.8	22	15	15.304.0458.9	15.314.0458.9
15.014.0453.0	50	20	21.8	22	15	15.305.0458.9	15.315.0458.9
15.015.0453.0	50	20	21.8	22	15	15.306.0458.9	15.316.0458.9
15.016.0453.0	50	20	21.8	22	15		
15.010.0553.0	50	25	26.8		20	15.301.0558.9	15.311.0558.9
15.011.0553.0	50	25	26.8	27	20	15.302.0558.9	15.312.0558.9
15.012.0553.0	50	25	26.8	27	20		
15.010.0653.0	50	30	31.8		25	15.301.0658.9	15.311.0658.9
15.011.0653.0	50	30	31.8	32	25	15.302.0658.9	15.312.0658.9
15.012.0653.0	50	30	31.8	32	25		
15.010.0753.0	50	35	36.8		30	15.301.0758.9	15.311.0758.9
15.011.0753.0	50	35	36.8	37	30	15.302.0758.9	15.312.0758.9
15.012.0753.0	50	35	36.8	37	30		