

- Frequency range 38MHz to 640MHz
- LVDS Output
- Supply Voltage 3.3 VDC
- Phase jitter 0.4ps typical
- Pull range from $\pm 30\text{ppm}$ to $\pm 150\text{ppm}$



DESCRIPTION

GDW14 VCXOs are packaged in an industry-standard, 14 pin dual-in-line package. Typical phase jitter for GDW series VCXOs is 2.35ps. Output is LVDS. Applications include phase lock loop, SONET/ATM, set-top boxes, MPEG, audio/video modulation, video game consoles and HDTV.

SPECIFICATION

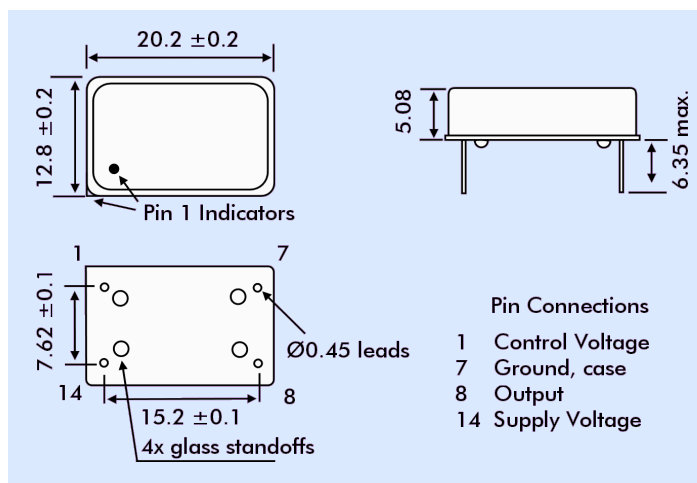
Frequency Range:	750kHz to 800.0MHz
Supply Voltage:	3.3 VDC $\pm 5\%$
Output Logic:	LVDS
RMS Period Jitter:	4.3ps typical
Peak to Peak Jitter:	27.0ps typical
Phase Jitter:	2.35ps typical
Initial Frequency Accuracy:	Tune to the nominal frequency with $V_C = 1.65 \pm 0.2\text{VDC}$
Output Voltage HIGH (1):	1.4 Volts typical
Output Voltage LOW (0):	1.1 Volts typical
Pulling Range:	From $\pm 30\text{ppm}$ to $\pm 150\text{ppm}$
Control Voltage Range:	1.65 ± 1.35 Volts
Temperature Stability:	See table
Output Load:	50Ω into Vdd or Thevenin equiv.
Rise/Fall Times:	0.5ns typ., 0.7ns max. 20% Vdd to 80% Vdd
Duty Cycle:	$50\% \pm 5\%$ (Measured at Vdd-1.3V)
Start-up Time:	10ms maximum, 5ms typical
Current Consumption:	55mA typical, 60mA maximum (At 202.50MHz)
Static Discharge Protection:	2kV maximum
Storage Temperature:	-55° to $+150^\circ\text{C}$
Ageing:	$\pm 2\text{ppm}$ per year maximum
Enable/Disable:	Not implemented - 4 pin package
RoHS Status:	Fully compliant or non compliant

FREQUENCY STABILITY

Stability Code	Stability $\pm\text{ppm}$	Temp. Range
A	25	$0^\circ \sim +70^\circ\text{C}$
B	50	$0^\circ \sim +70^\circ\text{C}$
C	100	$0^\circ \sim +70^\circ\text{C}$
D	25	$-40^\circ \sim +85^\circ\text{C}$
E	50	$-40^\circ \sim +85^\circ\text{C}$
F	100	$-40^\circ \sim +85^\circ\text{C}$

If non-standard frequency stability is required Use 'I' followed by stability, i.e. I20 for $\pm 20\text{ppm}$

OUTLINE & DIMENSIONS



PART NUMBERING

