

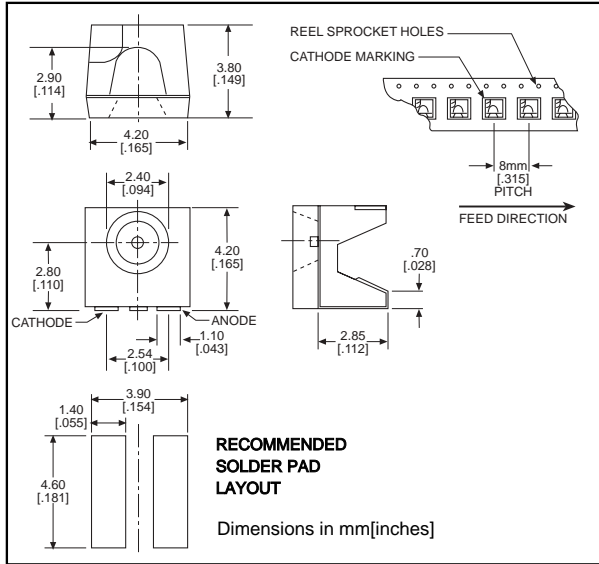
**microLED**®

**Surface Mount LED  
Right Angle Type Package**

**Dialight**

**597-2x01-2xx**

**1**



**PART NO.\***  
597-2001-2xx  
597-2301-2xx  
597-2401-2xx

**COLOR**  
Red  
Green  
Yellow

**Features**

- Compatible with automatic placement equipment
- Compatible with infrared reflow processes
- Packaged on 12mm tape, 13" reels (meets EIA-481-1 standard)
- Helps to eliminate mixed technology PC board processing

<b>*ORDERING INFORMATION</b>	
<b>597-2x01-2xx</b>	
packaging option	
02	20 pieces on tape
13	13" reel, 2000 pcs/reel

**ABSOLUTE MAXIMUM RATINGS** (T<sub>A</sub>=25°C)

	Red <b>-2001</b>	Green <b>-2301</b>	Yellow <b>-2401</b>
Power Dissipation (mW)	100	100	100
Forward Current (mA)	30	30	30
Derating (mA/C°) From 55°C	.66	.66	.66
Peak Current (mA) Pulse width = 10 μs	500	500	500
Operating Temperature (°C)	-55/+100	-55/+100	-55/+100
Storage Temperature (°C)	-55/+100	-55/+100	-55/+100
Soldering Temperature	260°C, 10 seconds		

Solder Adherence per MIL-STD-202E, Method 208C

**OPERATING CHARACTERISTICS** (T<sub>A</sub>=25°C)

		Red <b>-2001</b>	Green <b>-2301</b>	Yellow <b>-2401</b>
Luminous Intensity (mcd)	Min.	4	4	4
	Typical	32	32	32
Peak Wavelength (nm)	Typical	635	565	586
Viewing Angle (2θ <sup>1/2</sup> )	Typical	120°	120°	120°
Forward Voltage (V)	Typical	2	2	2
	Max.	2.6	2.6	2.6
Reverse Current (μA)	Max	100	100	100

θ<sup>1/2</sup> is the off axis angle at which the luminous intensity is half the axial luminous intensity