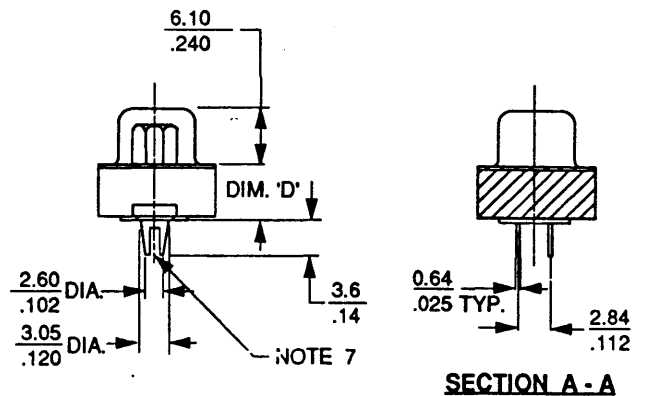
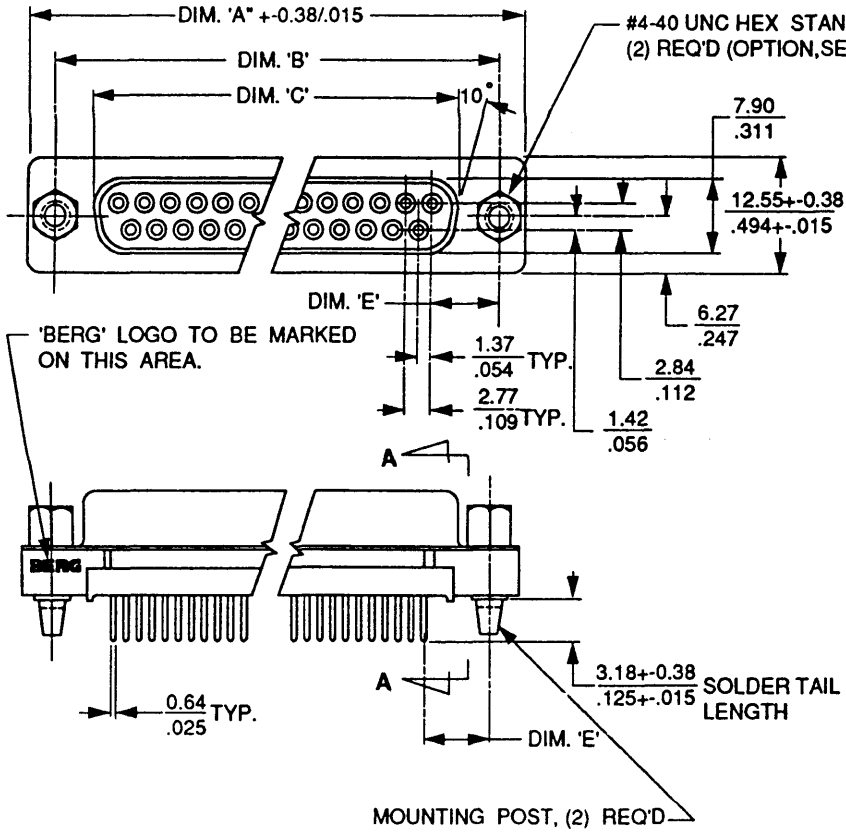
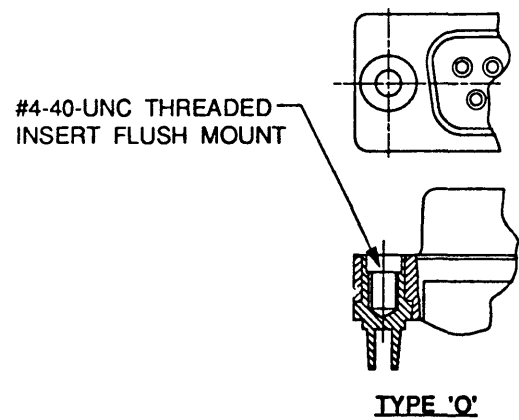


product no.  
SEE CHART



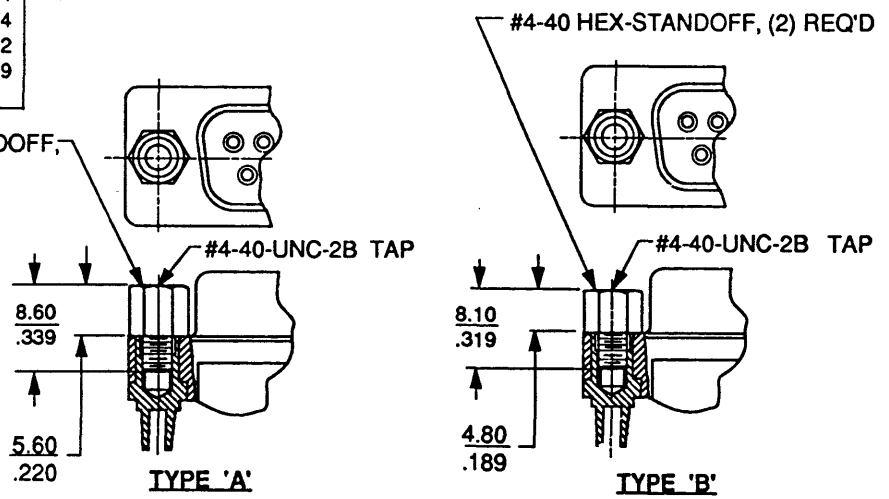
part code SEE NOTE 1				tolerances unless otherwise specified		CUSTOMER COPY		<b>BERG</b> ELECTRONICS	
ltr	ecn no	dr	date	linear	$0.0 \pm 0.38 / .00 \pm .015$	projection	title		
A	T30289	JL	9/14/93		$0.00 \pm 0.25 / .000 \pm .010$		D-SUB, VERTICAL, FEMALE		
B	T30347	JL	11/8/93	angles	$\pm 0^\circ 30'$		product family D - SUB code		
				dr	J. LIN	9/14/93	mm	TWN	
				engr	J. LIN	9/14/93	inch	sheet	
				chr	J. LIN	9/14/93	scale	1 of 3	
				appd	C M CHANG	9/14/93	N/A	94120	
sheet	revision	B	B	B					
index	sheet	1	2	3					

PRODUCT NO	NO. OF POS.	DIM. 'A'	DIM. 'B'	DIM. 'C'	DIM. 'D'	DIM. 'E'
94120 - XXAX09	9	30.84/1.214	24.99/984	16.26/640	6.02/237	6.96/274
- XXAX15	15	39.24/1.545	33.32/1.312	24.56/967	6.02/237	6.96/274
- XXAX25	25	53.04/2.088	47.04/1.852	38.30/1.508	6.02/237	6.91/232
- XXAX37	37	69.34/2.730	63.50/2.500	54.76/2.156	6.02/237	6.83/269
- XXBX09	9	30.84/1.214	24.99/984	16.26/640	7.90/311	6.96/274
- XXBX15	15	39.24/1.545	33.32/1.312	24.56/967	7.90/311	6.96/274
- XXBX25	25	53.04/2.088	47.04/1.852	38.30/1.508	7.90/311	6.91/232
- XXBX37	37	69.34/2.730	63.50/2.500	54.76/2.156	7.90/311	6.83/269
- XXCX09	9	30.84/1.214	24.99/984	16.26/640	11.48/452	6.96/274
- XXCX15	15	39.24/1.545	33.32/1.312	24.56/967	11.48/452	6.96/274
- XXCX25	25	53.04/2.088	47.04/1.852	38.30/1.508	11.48/452	6.91/232
- XXCX37	37	69.34/2.730	63.50/2.500	54.76/2.156	11.48/452	6.83/269
- XXDX09	9	30.84/1.214	24.99/984	16.26/640	7.10/280	6.96/274
- XXDX15	15	39.24/1.545	33.32/1.312	24.56/967	7.10/280	6.96/274
- XXDX25	25	53.04/2.088	47.04/1.852	38.30/1.508	7.10/280	6.91/232
- XXDX37	37	69.34/2.730	63.50/2.500	54.76/2.156	7.10/280	6.83/269
- XXEX09	9	30.84/1.214	24.99/984	16.26/640	11.00/433	6.96/274
- XXEX15	15	39.24/1.545	33.32/1.312	24.56/967	11.00/433	6.96/274
- XXEX25	25	53.04/2.088	47.04/1.852	38.30/1.508	11.00/433	6.91/232
94120 - XXEX37 (SEE NOTE 2)	37	69.34/2.730	63.50/2.500	54.76/2.156	11.00/433	6.83/269



TYPE 'O'

#4-40 HEX - STANDOFF,  
(2) REQ'D



TYPE 'A'

TYPE 'B'

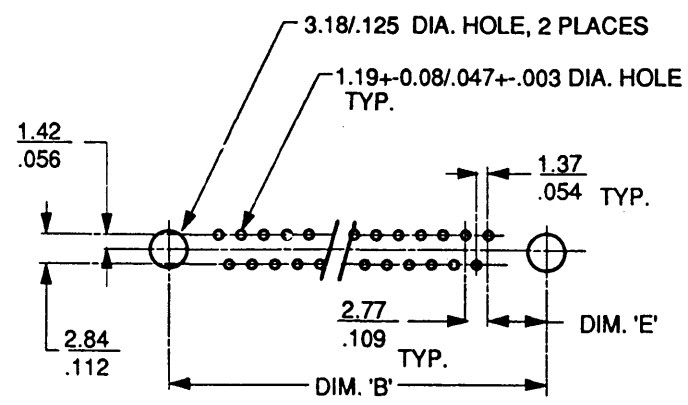


FIGURE 2. RECOMMENDED PCB LAYOUT

FIGURE 1. OPTIONS FOR HEX-NUT STANDOFF

mat'l code SEE NOTE 1		tolerances unless otherwise specified		CUSTOMER COPY		<b>BERG</b> ELECTRONICS	
lr	ech no	dr	date	linear	0.0/-0.38 / .00/-0.15	projection	title
B				linear	0.00/-0.25 / .000/-0.10		D-SUB, VERTICAL, FEMALE
				angles	+0°30'		
				dr	J. LIN	9/14/93	product family
				engr	J. LIN	9/14/93	D-SUB
				chr	J. LIN	9/14/93	code
				appd	G M CHANG	9/14/93	TWN
sheet	revision			scale	N/A	size	94120
index	sheet	1				dwg no	2 of

product no  
SEE CHART

NOTES :

1. MATERIAL :

- a. HOUSING : GF POLYESTER, FLAME RETARDANT PER UL 94V-0, COLOR : BLACK.
- b. SHELL : STEEL STRIP WITH NICKEL OR TIN PLATING, THE SELECTION SEE NOTE 2.
- c. CONTACTS : PHOSPHER BRONZE WITH GOLD PLATING ON THE CONTACT AREA AND TIN PLATING ON THE SOLDER TAIL. THE SELECTION SEE NOTE 2.

2. THE PART NUMBERS ARE ASSIGNED AS FOLLOWS :

94120 - X X X X Y Y

- NO. OF CONTACT, SEE CHART.
- SHELL PLATING & MOUNTING POST TYPE : 1 FOR NICKEL SHELL WITH BOTH MOUNTING POSTS.  
3 FOR TIN SHELL WITH BOTH MOUNTING POSTS.
- PROFILE HEIGHT TYPE PER DIM. 'D', SEE CHART.
- HEX-STANDOFF : 0 FOR TYPE 'D', A FOR TYPE 'A', B FOR TYPE 'B'.
- CONTACT PLATING : 0 FOR GOLD FLUSH  
1 FOR 10 MICROINCH GOLD.  
3 FOR 30 MICROINCH GOLD.  
5 FOR 15 MICROINCH GOLD

- 3. RECOMMENDED PCB MOUNTING LAYOUT SHOWN IN FIGURE 2.
- 4. THE OPTIONS FOR HEX - STANDOFF PER FIGURE 1.
- 5. THE MOUNTING POSTS ARE FOR 3.18/.125 DIA. PCB HOLE.
- 6. BOTH HEX-STANDOFF SHALL BE FASTERNED WITH D-SUB TOGETHER.
- 7. THE SLOT CAN BE SEATED AT ANY ANGLE POSITION AFTER FASTERNED WITH D-SUB TOGETHER.

mat'l code SEE NOTE 1				tolerances unless otherwise specified		CUSTOMER COPY		<b>BERG</b> ELECTRONICS	
ltr	ecn no	dr	date	linear	0.0-0.38 / .00+-015	projection		title	
B					0.00+-0.25 / .000+-010			D-SUB, VERTICAL, FEMALE	
				angles	±0°30'			product family	D - SUB
				dr	J. LIN	9/14/93		code	TWN
				engr	J. LIN	9/14/93		size	dwg no
				chr	J. LIN	9/14/93	scale	A3	94120
				appd	C M CHANG	9/14/93	N/A	sheet	3 of
sheet	revision								
index	sheet	1							