

Mini Circular Connectors CRM-A18, IRM-A19, A20 Series

FEATURES

A "one-touch" lock device ensures secure fitting.
CRM-A18 series is compatible with IBC-P60B and IBC-P70 series.



HOW TO ORDER

1. CRM-A18 Series (PCB mount type) 2. IRM-A19 Series (Plug cable Ass'y) 3. IRM-A20 Series (Socket cable Ass'y)

A18- □□□ - □□□□□□
1 2 3

- 1 Series No. (A18)
2 No. of contacts
(004 : 4pins, 005 : 5pins, 006 : 6pins, 008 : 8pins)
3 Product Specifications
(0263C : 4pins, 0263B : 5pins, 0263D : 6pins, 0263A : 8pins)

A19- □□□ - □□□□□□
1 2 3

- 1 Series No. (A19)
2 No. of contacts
(004 : 4pins, 006 : 6pins, 008 : 8pins)
3 Product Specifications
(0230C : 4pins, 0230D : 6pins, 0230A : 8pins)

A20- □□□ - □□□□□□
1 2 3

- 1 Series No. (A20)
2 No. of contacts
(004 : 4pins, 006 : 6pins, 008 : 8pins)
3 Product Specifications
(0231C : 4pins, 0231D : 6pins, 0231A : 8pins)

SPECIFICATIONS

ELECTRICAL CHARACTERISTICS

Rated Voltage	30V DC
Rated Current	DC 1A
Withstanding Voltage	250V AC 1minute
Insulation Resistance	50MΩ min.
Contact Resistance	30mΩ max.

MECHANICAL CHARACTERISTICS

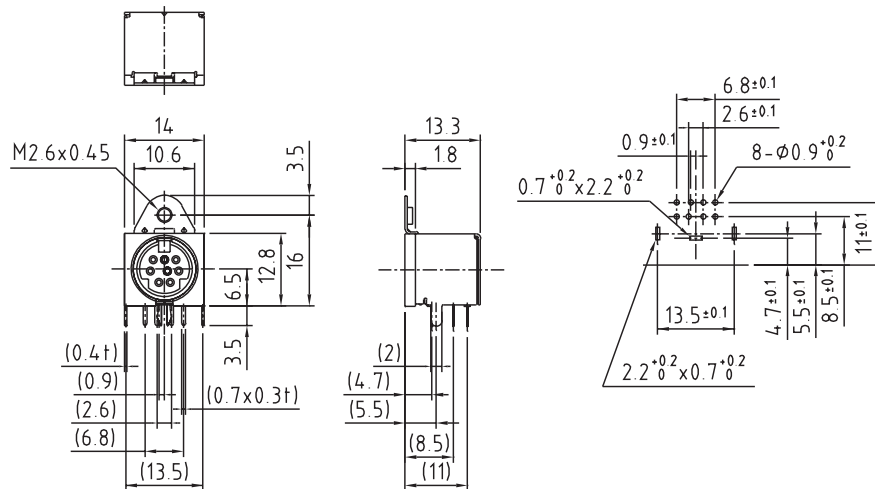
Life (Matching Cycle)	1,000 times
Total Insertion Force	49N (5kgf) max.
Total Withdrawal Force	2~49N (0.2~5kgf)
Using Temperature Range	-20~+80°C

MATERIAL & FINISH

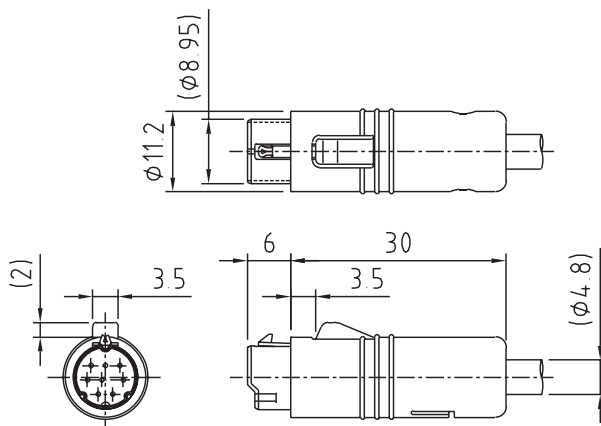
Component Parts		Material	Finish
CRM-A18 Series	Socket Housing	PBT resin	—
	Socket Contact	Copper Alloy	Tin reflow plating
	Shielded Case	Copper Alloy	Nickel plating
	Cover	PBT resin	—
	Shielded Cover	Steel	Solder plating
IRM-A19 Series	Plug Housing	PBT resin	—
	Plug Contact	Copper Alloy	Tin reflow plating
	Shielded Case	Copper Alloy	Nickel plating
	Cover	PBT resin	—
IRM-A20 Series	Socket Housing	PBT resin	—
	Socket Contact	Copper Alloy	Tin reflow plating
	Shielded Case	Copper Alloy	Nickel plating
	Cover	PBT resin	—

DIMENSIONS

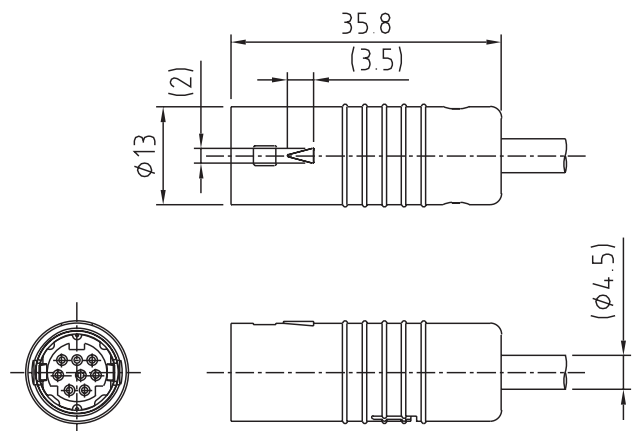
CRM-A18 Series



IRM-A19 Series



IRM-A20 Series



Unit : mm