

RED INDICATES ORIGINAL

DWG SIZE
C

DATA CONTAINED IN THIS DOCUMENT IS PROPRIETARY TO TROMPETER ELECTRONICS INC AND SHALL NOT BE DISCLOSED, COPIED OR USED FOR PROCUREMENT OR MANUFACTURE WITHOUT EXPRESS WRITTEN PERMISSION.

| REVISONS | | | 12-02 | | SH 1 |
|----------|-------|---|-------|----------|---------|
| REV | EO | DESCRIPTION | DWN | APPROVED | DATE |
| B | 11870 | -17, -18, -21, -23, -25, -27 & -28; SEE ECD | DKC | Bmj: FA | 6/25/96 |

| P2 CONN TYPE | FIG NO | P1 CONN TYPE | | | | | | | | | | | | | | | |
|--------------|--------|--------------|-----|-----|-------|-----|-----|------|-----|-----|-------|-----|-----|-------|--|--------|--|
| | | PL20 | | | UPL20 | | | PL40 | | | UPL40 | | | PL123 | | UPL123 | |
| | | SCHEMATICS | | | | | | | | | | | | | | | |
| | | K1 | K2 | K1 | K2 | K1 | K2 | K1 | K2 | K1 | K2 | K1 | K2 | | | | |
| DASH NUMBERS | | | | | | | | | | | | | | | | | |
| PL20 | 1A | -1 | -2 | -3 | -4 | -5 | -6 | -7 | -8 | -9 | -10 | -11 | -12 | | | | |
| UPL20 | 1A | -3 | -4 | -13 | -14 | -15 | -16 | -17 | -18 | -19 | -20 | -21 | -22 | | | | |
| PL40 | 1B | -5 | -6 | -15 | -16 | -23 | -24 | -25 | -26 | -27 | -28 | -29 | -30 | | | | |
| UPL40 | 1B | -7 | -8 | -17 | -18 | -25 | -26 | -31 | -32 | -33 | -34 | -35 | -36 | | | | |
| PL123 | 2A | -9 | -10 | -19 | -20 | -27 | -28 | -33 | -34 | -37 | -38 | -39 | -40 | | | | |
| UPL123 | 2B | -11 | -12 | -21 | -22 | -29 | -30 | -35 | -36 | -39 | -40 | -41 | -42 | | | | |

| INCH | MM |
|-------|-------|
| .005 | 0.13 |
| .030 | 0.76 |
| .500 | 12.7 |
| .589 | 15.06 |
| .850 | 16.51 |
| 2.070 | 52.58 |
| 2.123 | 53.92 |
| 2.124 | 53.95 |
| 2.178 | 55.32 |

FIG 1A (P1)

-1 SHOWN

-23 SHOWN

FIG 1B (P1)

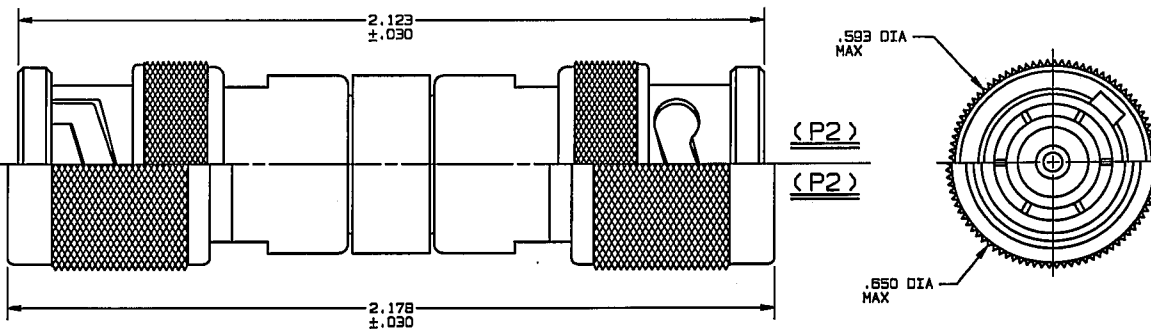
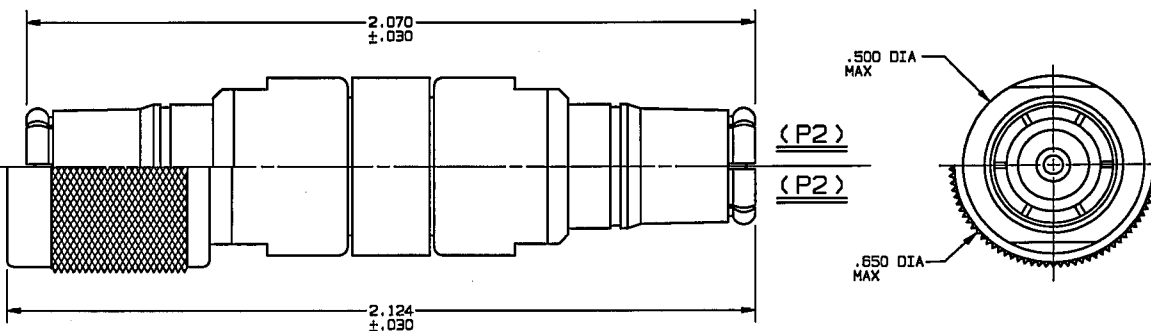


FIG 2A (P1)

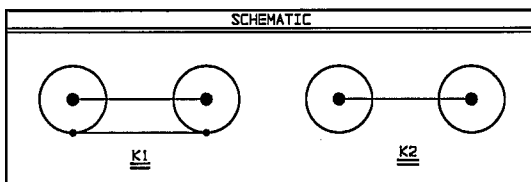
-37 SHOWN

-27 SHOWN

FIG 2B (P1)



- EXAMPLE OF COMPLETE MODEL NO:
AD-PL20-K1-PL20
ADAPTER PL20 (P2) CONN TYPE
(P1) CONN TYPE K1 SCHEMATIC
- EXAMPLE OF COMPLETE PART NO:
BASIC PART NO 12-02-1 DASH NO
- BETWEEN / WITH SERIES ADAPTER, MALE
50 & 75 OHM BNC / TNC / PUSH-ON
PLUG TO MALE 50 & 75 OHM BNC /
TNC / PUSH-ON PLUG
- FINISH: TFS-1A (NICKEL)
- ALL DIM ARE IN INCHES



| QTY | DESCRIPTION | PART NUMBER | ITEM |
|---|------------------------------------|--|----------------------------|
| TOL UNLESS SPECIFIED .XX ± .XXX ± .005 .XXXX ANGLES | TROMPETER ELECTRONICS, INC. | ADAPTERS: MALE BNC / TNC SERIES TO MALE BNC / TNC SERIES | |
| DWN DKC 6-12-96 | MATERIAL | CODE IDENT | DRAWING NO. |
| CHK BSH 6-17-96 | | 14949 | 12-02 |
| ENGR | | | B |
| NEXT ASSY | APPR FA 6/24/96 | SCALE 4/1 | DATE 11-19-85 SHEET 1 OF 2 |