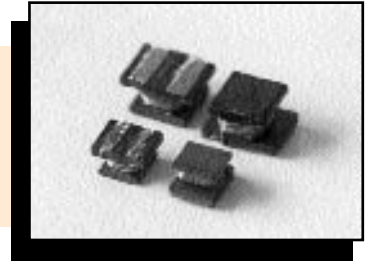


SURFACE-MOUNT WIRE-WOUND CHIP INDUCTORS

AISC-RH SERIES

1210RH



FEATURES:

- High Frequency Design
- Excellent Q Values
- Excellent SRF
- High Reliability
- Excellent Thermal Stability

OPTIONS:

- Tape & Reel is Standard (Qty: 2000 pcs.)
- Bulk Packaging Available for Smaller Quantities
- Tolerance: K=10%, M=20% is Standard, Tighter Tolerances Available. (Note 1)

COMMON APPLICATIONS:

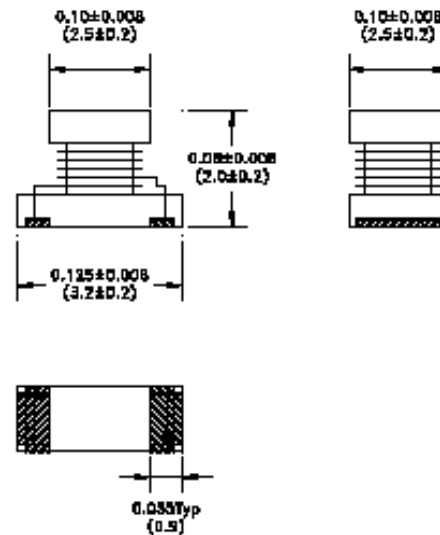
- Modems
- Mobile Radios
- Cordless Telephones
- Global Positioning Systems
- Wireless Communications Equipment
- Networking System, xDSL Filter
- Computer Products and Peripherals

STANDARD SPECIFICATIONS

Part Number	L (μH) K=±10% M=±20%	L Test Freq (MHz)	SRF Min (MHz)	RDC ±30% (W)	IDC Max (mA)
1210RH Series					
AISC-1210RH-R15M	0.15	1	400	0.028	1450
AISC-1210RH-R27M	0.27	1	250	0.034	1250
AISC-1210RH-R47M	0.47	1	150	0.042	1100
AISC-1210RH-1R0M	1.0	1	96	0.090	800
AISC-1210RH-2R2M	2.2	1	64	0.130	600
AISC-1210RH-4R7M	4.7	1	43	0.20	450
AISC-1210RH-100K	10	1	26	0.44	300
AISC-1210RH-220K	22	1	19	0.71	250
AISC-1210RH-470K	47	1	15	1.30	170
AISC-1210RH-101K	100	1	10	3.50	100
AISC-1210RH-221K	220	1	6.8	8.40	70
AISC-1210RH-331K	330	1	5.6	10.0	60
AISC-1210RH-391K	390	1	5	17.0	60
AISC-1210RH-471K	470	0.001	5	19.0	60
AISC-1210RH-561K	560	0.001	5	22.0	60

Note1: J=±5%, K=±10%, M=±20%

PHYSICAL CHARACTERISTICS



Dimensions: Inches (mm)

TECHNICAL INFORMATION:

- Testing: HP4291A, HP16193A, HP4286A or equivalent
- Solderability: 75% of the terminal electrode shall be covered
- Soldering methods: Reflow
- Operating Temperature: -40°C to +85°C
- Storage Temperature: -55°C to +125°C

Note: All specifications subject to change without notice.

ABRACON IS
ISO 9001 / QS 9000
CERTIFIED

29 Journey • Aliso Viejo, CA 92656 • USA
(949) 448-7070 • FAX: (949) 448-8484
E-MAIL: abinfo@abracon.com • INTERNET ADDRESS: www.abracon.com

