

AS MINI SERIES

Developed by Deutsch from the success of the standard AS and the AS Micro HE Series, the new Mini bridges the gap between the existing Standard Series (Size 8) and the Micro (Size 6) offering a 6-way and 3-way connector with 3 shell styles.

This connector has been developed to meet the demanding environment of the motorsport industry. Deutsch's dedicated autosport division is on hand to help specify individual customer requirements.

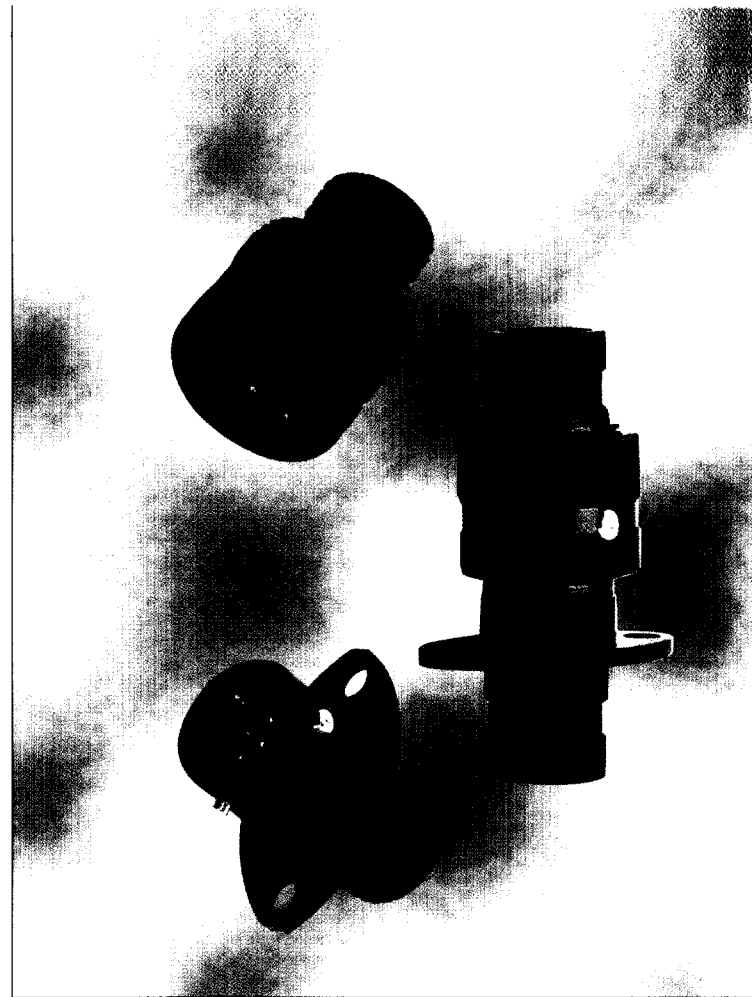
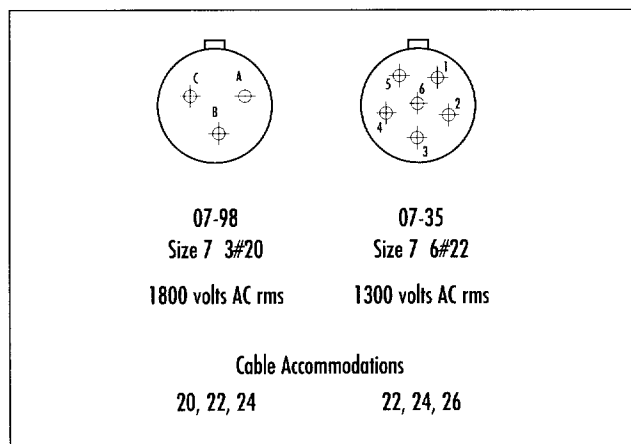
FEATURES

- Compact design
- Cable accommodation – 20, 22, 24 & 26 AWG (See insert arrangements)
- Positive locking coupling mechanism
- Conductive black zinc finish
- Interfacial and wire sealing
- Shell to shell grounding
- Integral screen/boot termination feature
- In-line and two hole mounting styles
- Environmentally sealed
- Gold-plated crimp contacts
- 3 Keyway orientations

BENEFITS

- Compact design – Minimum space envelope
- No need for backshells
- Cost effective
- Screening braid and boot can both be fitted
- High quality plating enhances durability and appearance of connector
- Visual indication of keyway orientation of connector
- Uses standard crimp tooling
- Suitable for blind mating

INSERT ARRANGEMENTS



GENERAL SPECIFICATION

Standard Connector

Supplied complete with crimp contacts and insert/extraction tools

Materials

Shell/Coupling ring: Aluminium alloy. Black Zinc finish

Contacts: Copper alloy. Gold plated

Insulators: Thermoplastic

Interface/Wire seals: Fluorinated silicone

Wire Sealing

Connector rear sealing grommets are designed to seal on wires having overall insulation diameters within the following range:

Contact Size	22	20
Min (mm)	0.76	1.02
Max (mm)	1.37	2.11

Dielectric Withstand Voltage

This is dependent on the spacing of the contacts within the insert layout. See insert arrangements.

Contact Rating and Wire Acceptance

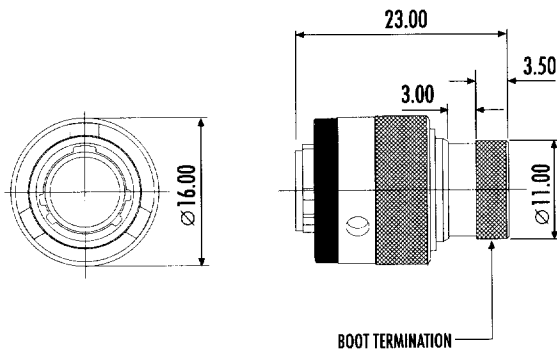
Contact Size	22	20
Current Rating	5 Amps	7.5 Amps
Conductor Diameter	0.4mm ² max	0.6mm ² max

Temperature Rating –55°C to +175°C*

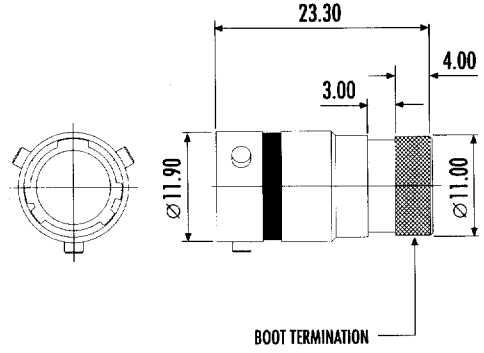
*The upper limit is the maximum internal hot-spot temperature resulting from the combination of ambient temperature and heating due to current.

AS MINI SERIES: CONTACTS, TOOLING AND FILLER PLUGS

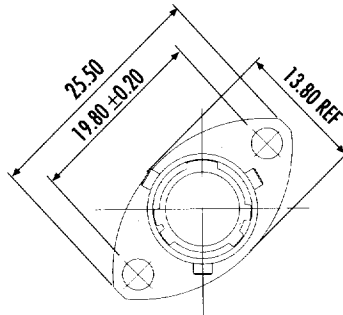
CONTACT SIZE	PART NUMBERS						
	SOCKET	PIN	FILLER PLUG	INS/EXT TOOL	CRIMP TOOL	PIN POSITIONER	SKT POSITIONER
22	604887-22	38941-22	600300-22	M81969/14-01	M22520/2-01	M22520/2-09	M22520/2-07
20	604887-20	38941-20	600300-20	M81969/14-10	M22520/2-01	M22520/2-10	M22520/2-10



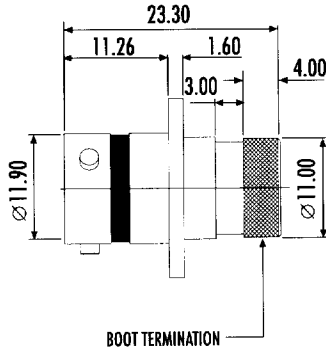
PLUG - TYPE 6



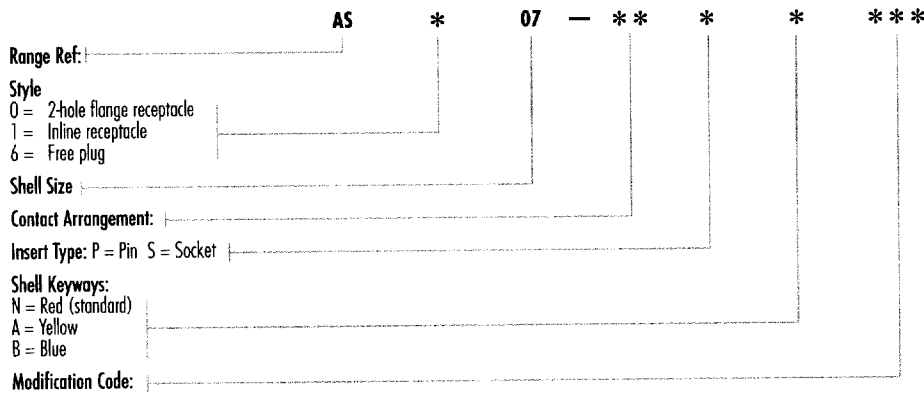
INLINE RECEPTACLE - TYPE 1



RECEPTACLE - TYPE 0



ORDERING INFORMATION



How to order:
 Quote the AS reference, followed by the style, shell size, contact arrangement, insert style and shell keyway option, e.g. AS007-35PN



A step ahead in technology

Castleham Industrial Estate
 2 Stanier Road, St Leonards on Sea
 East Sussex TN38 9RF England

Telephone 01424 852722

Fax 01424 855979

Email industrial@deutsch.co.uk