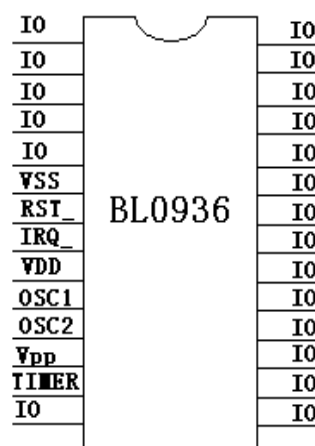


Summarization

BL0936 is a kind of 8-bit micro-control unit, which is high-performance and low-power, specially for power meter circuit. It is made with CMOS process, including 4K Byte user ROM and 196K Byte user RAM. BL0936 and BL2220R3, a 8-bit micro controller of Belling, are compatible in command system. BL0936 is mostly used in multi-function power meter (including multi-rate, advance payment and gathering meter-record system.) and other plug-in civil or industrial control system. The ability of resisting electromagnetic interference and radiation is powerful: ESD 4000V; fast pulse group 4000V.

**Feature**

- Low power: asynchronous static chip design method, support STOP, WAIT power-save mode.
- 8-bit timer, with 7-bit pre-position.
- 19 I/O port in each (high-impedance as power-on, input mode). Each port has programmable pull-on resistor. Current in I/O port can drive standard TTL. 3 of them support keyboard interrupt.
- Hardware watchdog including.
- 5 interrupt sources: timer, software, outside, keyboard, watchdog.
- Standard 5V working voltage. Supply RTC by 3.3V backup battery as power down.
- Kinds of reset function: electrify, reset pin, watchdog.

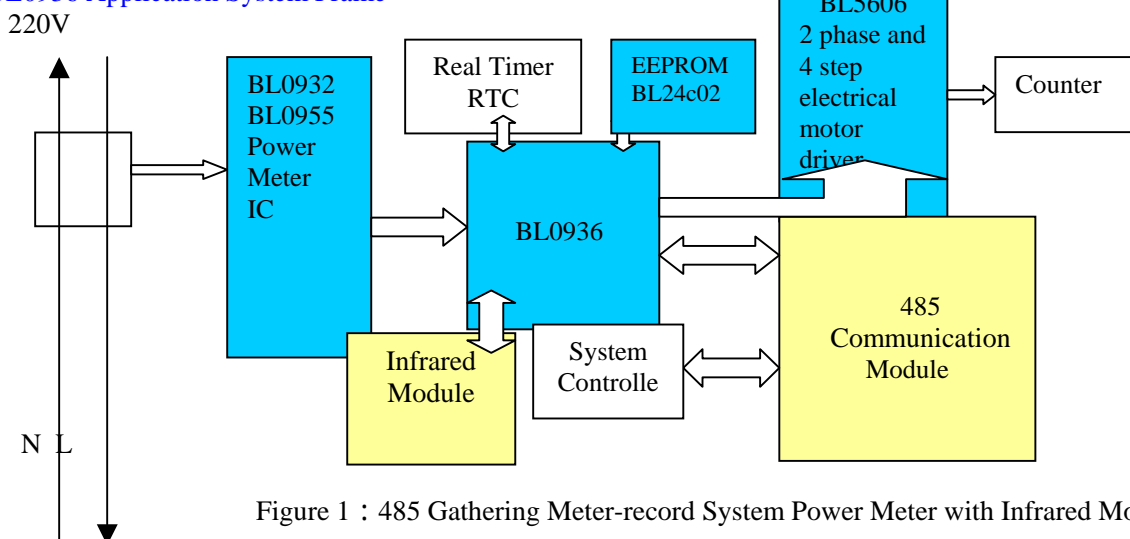
BL0936 Application System Frame

Figure 1 : 485 Gathering Meter-record System Power Meter with Infrared Mode