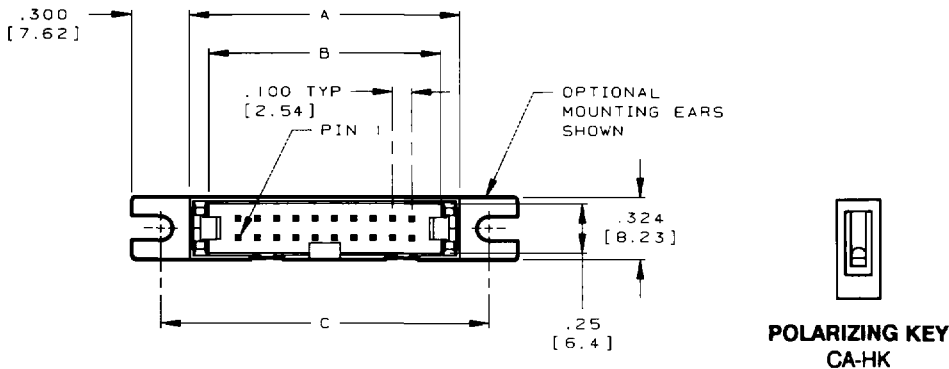
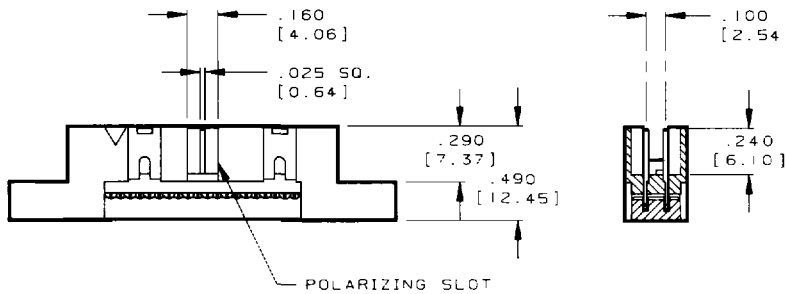


CA

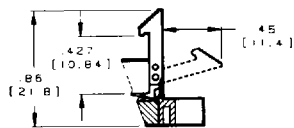


**POLARIZING KEY
CA-HK**



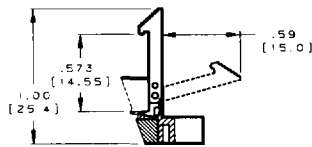
POLARIZING SLOT

Short Latch Ejector
for use with IDS2 and FID
without strain relief



CA-IDHLE-43

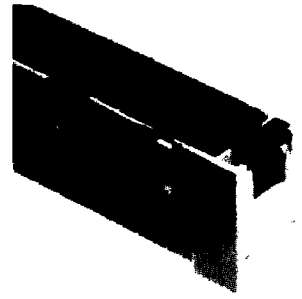
Long Latch Ejector
for use with IDS2, FID and
IDS with strain relief



CA-IDHLE-57

No. of Positions	Dimensions			Part Numbers	
	A	B	C	no ears	with ears
* 10	.90 [22.9]	.700 [17.78]	1.200 [30.48]	CA-10IDH-3F	CA-10IDH-2F
10	.90 [22.9]	.700 [17.78]	1.200 [30.48]	CA-10IDH-3F-SPT	CA-10IDH-2F-SPT
20	1.40 [35.6]	1.200 [30.48]	1.700 [43.18]	CA-20IDH-3F	CA-20IDH-2F
26	1.70 [43.2]	1.500 [38.10]	2.000 [50.80]	CA-26IDH-3F	CA-26IDH-2F
34	2.10 [53.4]	1.900 [48.26]	2.400 [60.96]	CA-34IDH-3F	CA-34IDH-2F
40	2.40 [61.0]	2.200 [55.88]	2.700 [68.58]	CA-40IDH-3F	CA-40IDH-2F
50	2.90 [73.7]	2.700 [68.58]	3.200 [81.28]	CA-50IDH-3F	CA-50IDH-2F
60	3.40 [86.4]	3.200 [81.28]	3.700 [93.98]	CA-60IDH-3F	CA-60IDH-2F

* No Polarizing Slot



IDC SHROUDED HEADER

Features

Mass-terminates with .050 [1.27] center cable
Optional Latch Ejectors permit easy removal of mating socket with and without strain relief. Unique "Snap-in" design does not require installation tools or roll pins

Specifications

Environmental

Temperature Range:
-55°C to +120°C

Mechanical

Insulator Material:

Glass filled polyester,
Gray, UL94V-0

Latch Material:

Polycarbonate, gray,
UL94V-0

Contact Material:

Phosphor Bronze

Contact Plating:

Contact Area: 30μ IN gold
I.D. Area: 150μ IN tin/lead

Recommended Wire Size:
28 AWG stranded

Electrical

Current Rating:

1 AMP

Dielectric Withstanding
Voltage:

500 Vrms MIN

Insulation Resistance:

> 5000 Megohms

Contact Resistance:

25 milliohms MAX

Measured through
insulation displacment
portion and mating
connector

Notes

Optional latches are
ordered separately, to be
installed after cable to
connector assembly

Mating CA Product:

IDS2, FID and IDS



E9598 I



LR65050