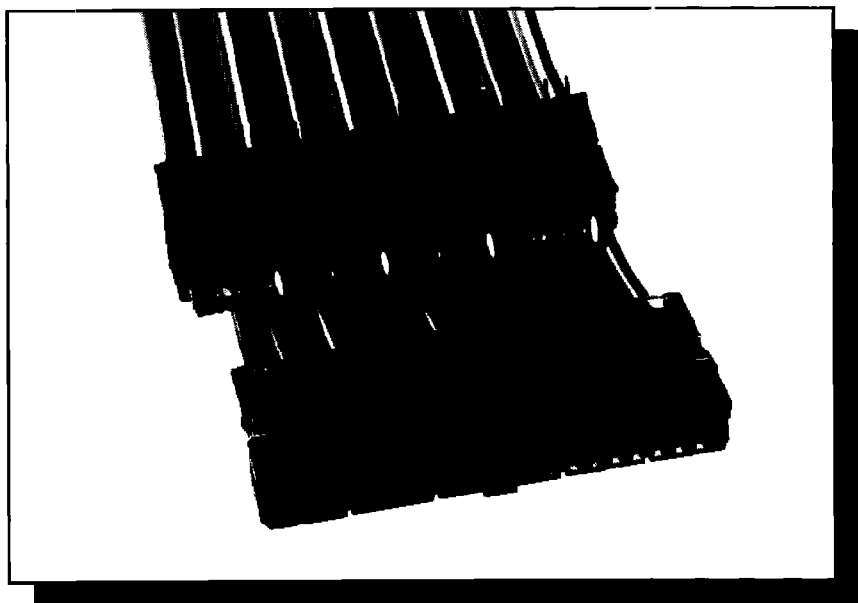


# DIP/SIG Connector DS Series



## Features

- Connectors compatible with standard industry envelope dimension
- Standard SIG or traditional IDC connectors on opposite end
- May be configured to conduct common ground or balanced pair signals
- Cable options include twisted pair, straight grey and color coded flat cable
- Available in 40 positions
- Shielding and jacketing available
- Consult factory for plating and tail length options
- Compatible with all standard DIP sockets
- Stainless steel strain relief

The new DIP/SIG Connector system offers major advances in low noise, high density interconnections. By means of a variable internal bussing system (selective integral grounding) Augat's DS Series can provide double the I/O signal density.

These DIP/SIG Cable Assemblies have proven to be the perfect solution in emulator and microprocessor development systems. This design offers compatible ground pin outs for all popular microprocessor chip configurations with optional flying test probe.

## Materials

- Body Material: Glass Reinforced Polyester
- Rating: UL 94-V0
- Contact Material: CDA 725 Alloy
- Contact (Selective Plating): 10 μ" gold
- Conductors: 28 AWG

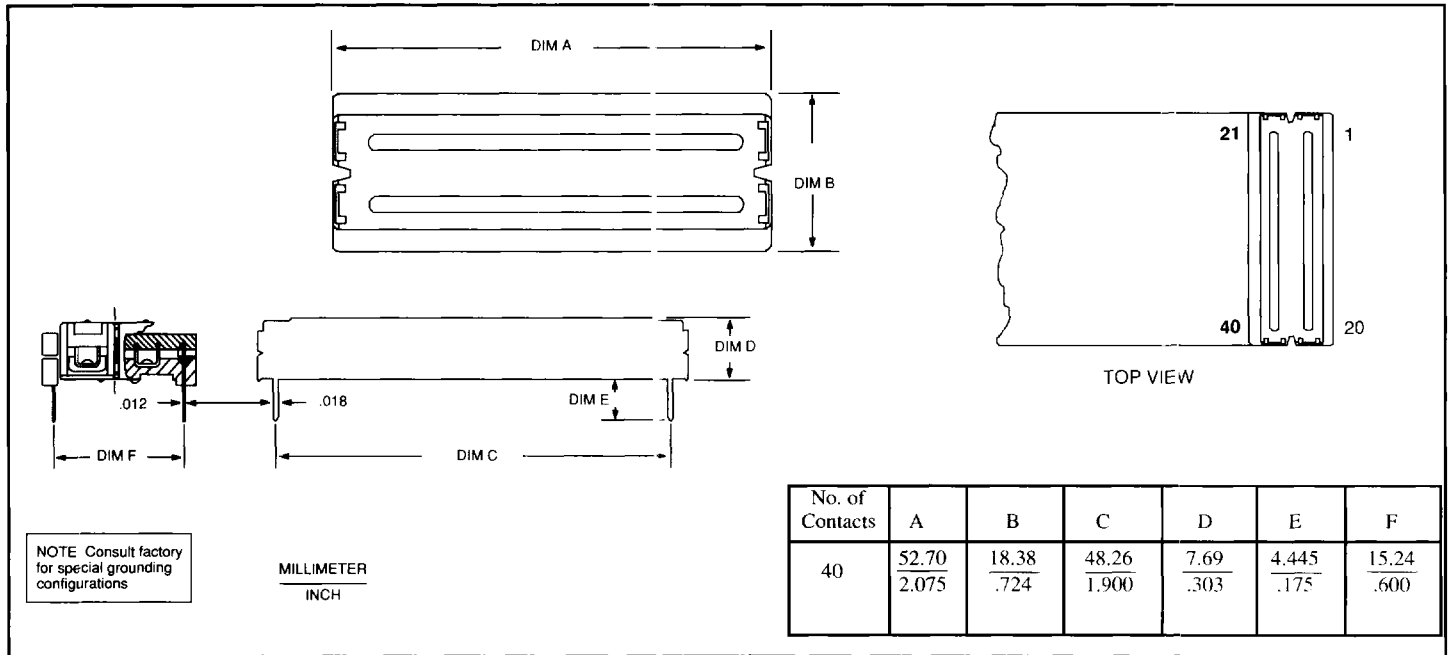
## Performance Characteristics

- Current Rating: 1 Amp
- Insulation Resistance: 5 x 10<sup>8</sup> Ohms max.
- Contact Resistance: 10 milliohms max. at rated current
- Dielectric Withstanding: 1000 VRMS sea level
- Operating Temperature: -55° to +105°C

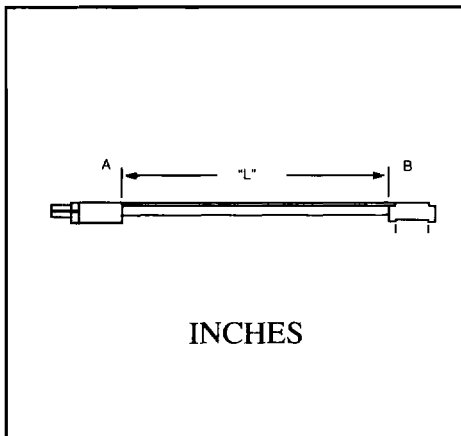
## Part Number For Completed Assemblies

D	S	X	4	0	-	X	X	X	X	-	X	X
Series	# of Connectors	# of Contacts	Length of Cable (inches)			Type of Cable	Shield/Jacket	Standard Groundout	Polarizing Tang Location			
	1 - Single ended 2 - Double ended		Cable Tolerance ± .50" for first foot and 25" for each additional foot beyond  NOTE: Twist & flat cable assemblies available in following lengths: (inches) 007, 010, 014, 020, 026, 038, 050, 062, 074, 098, 122, 146 (over 146 Consult factory)			A-28 AWG stranded twist & flat with half twist B-28 AWG stranded flat gray C-28 AWG stranded flat color coded X-Non-standard cable	0-No shield or jacket 1-.012 THK. (wall) black PVC jacket 2-1 and 5 3-UL style exterior PVC jacket 4-3 and 5 5-Aluminum coated mylar shield with drain wire over each cable X-Non-standard shield and/or jacketing	A B	0 1 2			

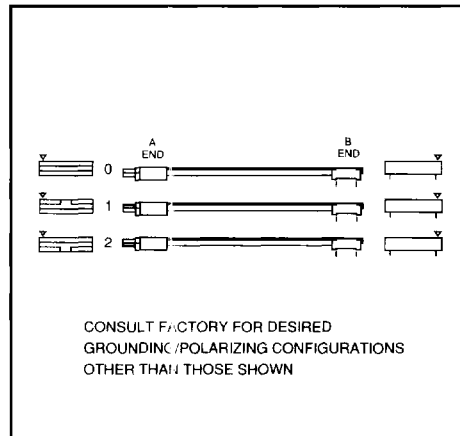
## Dimensions-Sig<sup>®</sup> Connectors



### Length of Cable



### Polarizing Tang Location



### Standard Groundout

