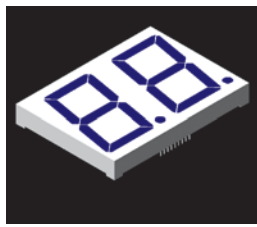
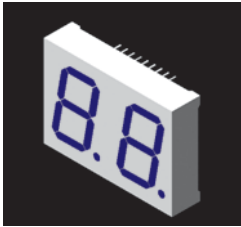


LED Displays ~ Seven Segment ~ Numeric



Dual Digit



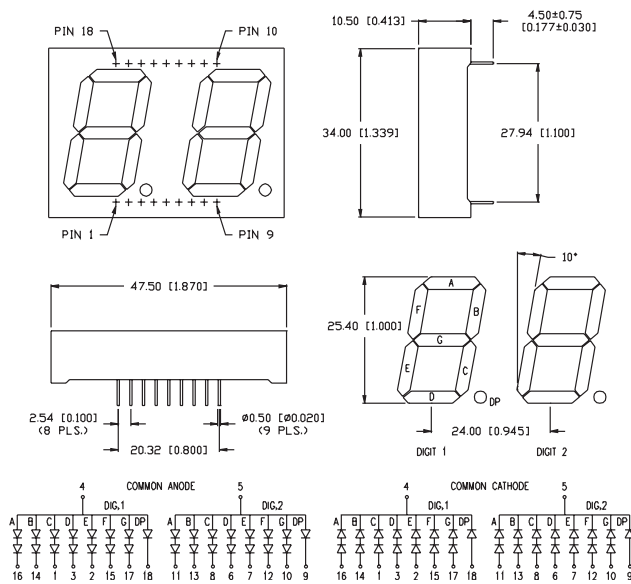
Features/Options

- ▶ Standard and high brightness chips
- ▶ Intensity grading available
- ▶ Custom sizes at minimal tooling
- ▶ Face and segment off colors in grey and milky white

Applications/Uses

- ▶ Panel meter displays
- ▶ Time lapsed panels
- ▶ Diagnostic equipment
- ▶ Counter displays

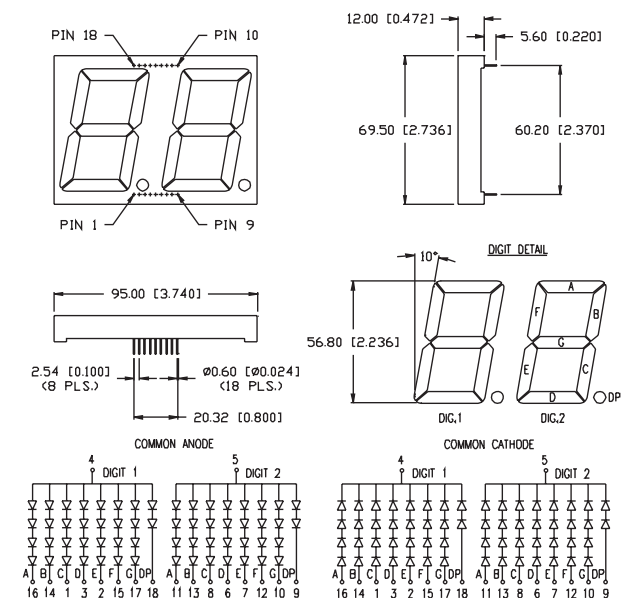
1.0" dual digit



Part Number	Wave Length (nm)	Brightness (μcd) @ 10mA	Vf (typ) 10mA*	Vf (max) 10mA*	Emitted Color	Polarity (common)
LDD-AA102RI	565	2500	4.4 2.2	5.2 2.6	Green	Anode
LDD-AA104RI	635	2500	4.0 2.0	5.0 2.5	Red	Anode
LDD-AA106RI	660	8000	3.4 1.7	4.4 2.2	Red	Anode
LDD-AA102RI-SUG	574	7000	4.4 2.2	5.2 2.6	Green	Anode
LDD-AA104RI-SI	636	15,000	4.0 2.0	5.0 2.6	Red	Anode
LDD-AA107RI-USB	470	6000	7.0 3.5	8.0 4.0	Blue	Anode
LDD-CA102RI	565	2500	4.4 2.2	5.2 2.6	Green	Cathode
LDD-CA104RI	635	2500	4.0 2.0	5.0 2.5	Red	Cathode
LDD-CA106RI	660	8000	3.4 1.7	4.4 2.2	Red	Cathode
LDD-CA102RI-SUG	574	7000	4.4 2.2	5.2 2.6	Green	Cathode
LDD-CA104RI-SI	636	15,000	4.0 2.0	5.0 2.6	Red	Cathode
LDD-CA107RI-USB	470	6000	7.0 3.5	8.0 4.0	Blue	Cathode

Second value for single chip in decimal point

2.3" dual digit



Part Number	Wave Length (nm)	Brightness (μcd) @ 10mA	Vf (typ) 10mA*	Vf (max) 10mA*	Emitted Color	Polarity (common)
LDD-AA232RI	565	2500	8.8 4.4	10.4 5.2	Green	Anode
LDD-AA234RI	635	2500	8.0 4.0	10.0 5.0	Red	Anode
LDD-AA236RI	660	8000	6.8 3.4	8.8 4.4	Red	Anode
LDD-AA232RI-SUG	574	7000	8.8 4.4	10.4 5.2	Green	Anode
LDD-AA234RI-SI	636	15,000	8.0 4.0	10.0 5.0	Red	Anode
LDD-AA237RI-USB	470	6000	14.0 7.0	16.0 8.0	Blue	Anode
LDD-CA232RI	565	2500	8.8 4.4	10.4 5.2	Green	Cathode
LDD-CA234RI	635	2500	8.0 4.0	10.0 5.0	Red	Cathode
LDD-CA236RI	660	8000	6.8 3.4	8.8 4.4	Red	Cathode
LDD-CA232RI-SUG	574	7000	8.8 4.4	10.4 5.2	Green	Cathode
LDD-CA234RI-SI	636	15,000	8.0 4.0	10.0 5.0	Red	Cathode
LDD-CA237RI-USB	470	6000	14.0 7.0	16.0 8.0	Blue	Cathode

Second value for dual chips in decimal point



USA/Canada +1-800-278-5666
Europe +49-6081-964380
Asia +886-3-5821124



www.lumex.com



USA/Canada +1-847-359-8904
Europe +49-6081-964381
Asia +886-3-5821154

- 1
- 2
- 3
- 4
- 5
- 6
- 7
- 8
- 9
- 10
- 11
- 12
- 13
- 14
- 15
- 16
- 17
- 18
- 19
- 20
- 21
- 22
- 23
- 24
- 25
- 26
- 27
- 28
- 29