

1	Model	Wires
	P81 P84	W (optional)

TO ORDER, FOLLOW THE EXAMPLE:

Select one BOLD component from each numbered category in the tables below.							
1	Model	2	LED	3	Voltage	4	Lens
	P81		-G		24		-CG

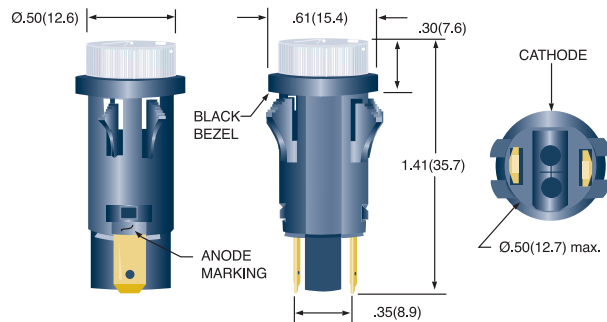
→Part Number P81-G24-CG

HIGH INTENSITY - WATERCLEAR ENCAPSULATION					
LED	Color	λpk (nm)	Iv ^[1] (mcd)	Viewing Angle	V/C Table ^[3]
-R	RED	634	780	30	I
-O	ORG	605	360	30	I
-A	AMB	592	600	30	I
-G	GRN	520	780	45	II
-B	BLU	465	168	45	II
-W	WHT	[2]	280	50	II

Voltage/Current	
Design Vf/If	Max Vf/If
V/C Table I	
5V/22mA	5.5V/28mA
6V/21mA	7V/27mA
12V/20mA	14V/25mA
15V/24mA	16.5V/28mA
24V/17mA	26V/20mA
28V/16.5mA	30V/18mA
48V/15mA	50V/16mA
60V/9mA	65V/10mA
120VAC/3.5mA	130VAC/4mA

Voltage ^[4]	
5	
6	
12	
15	
24	
28	
48	
60	
120	

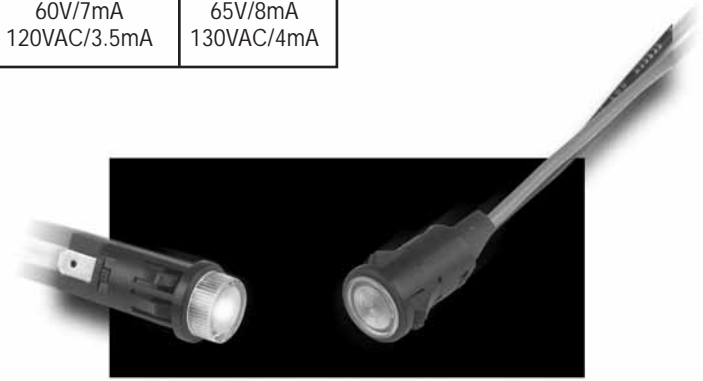
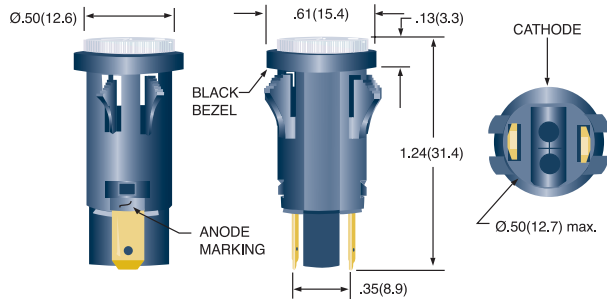
P81



Voltage/Current	
Design Vf/If	Max Vf/If
V/C Table II	
5V/15mA	5.5V/23mA
6V/15mA	7V/25mA
12V/15mA	14V/20mA
15V/15mA	16.5V/18mA
24V/15mA	26V/18mA
28V/15mA	30V/17mA
48V/9.5mA	50V/10mA
60V/7mA	65V/8mA
120VAC/3.5mA	130VAC/4mA

Lens	
-CR	Red
-CA	Amber
-CG	Green
-CB	Blue
-CW	Water Clear

P84



[1] Iv = typical luminous intensity @ If = 20mA (Ta=25°C). Iv is measured without lenses.
 [2] White is identified by one of four CIE coordinates x:0.290/y:0.260, x:0.290/y:0.305, x:0.330/y:0.365, x:0.330/y:0.320

[3] See Voltage/Current table for design specifications.

[4] Ta = 25°C. Voltages 5 through 60 are VDC. For AC operation, insert D after Voltage (e.g 24D), D indicates built-in rectifier; not required for 5VDC or 120VAC. DC operation not available for 120V.

Standard Wire Leads:
 6.0" total length(nominal)/.50" stripped (nominal), red anode/black cathode, 18 AWG stranded UL1015 insulation. Contact factory for other lengths, gauges and colors.

All dimensions are in inches (mm)
 Tolerances: .xx"(.x) ±.025"(.63) / .xxx"(.xx)±.010"(.25)
 Specifications are subject to change without notice.