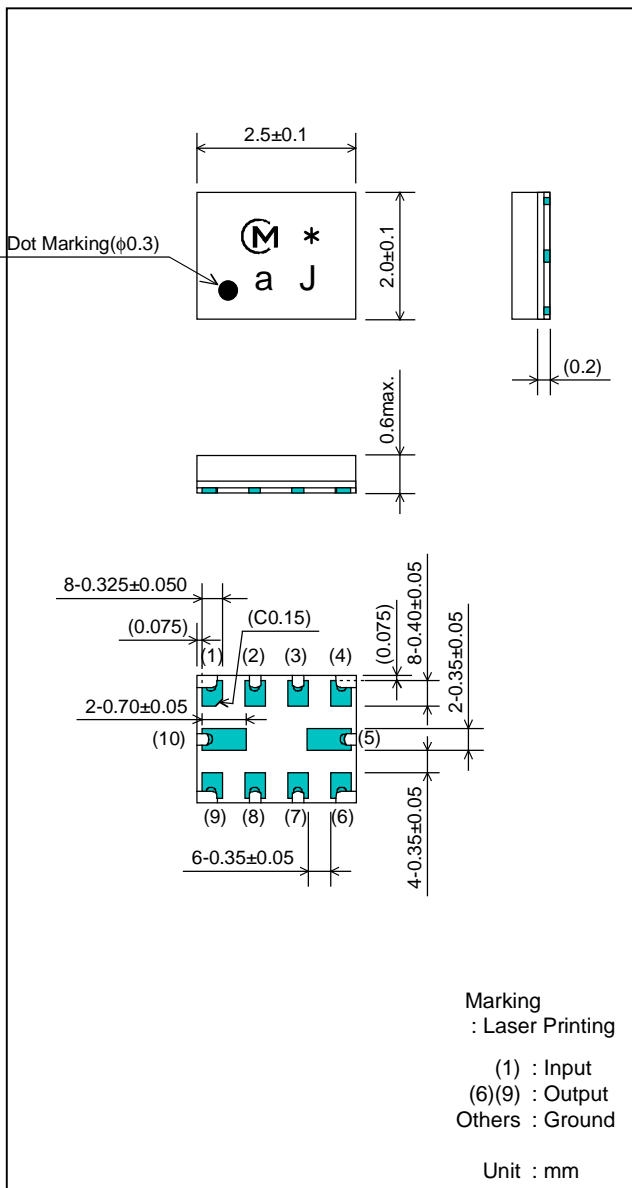


SAW FILTER FOR SCDMA400 Rx

Murata part number : SAFES405MFL0F00

Package Dimensions



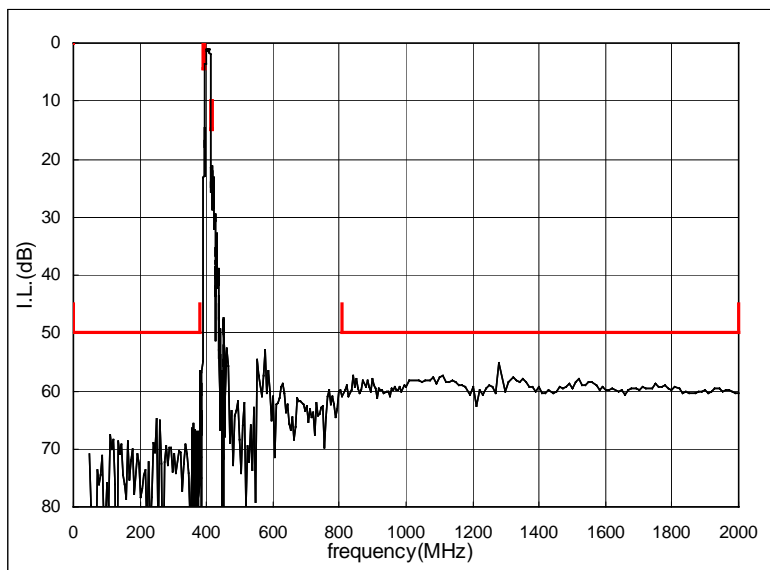
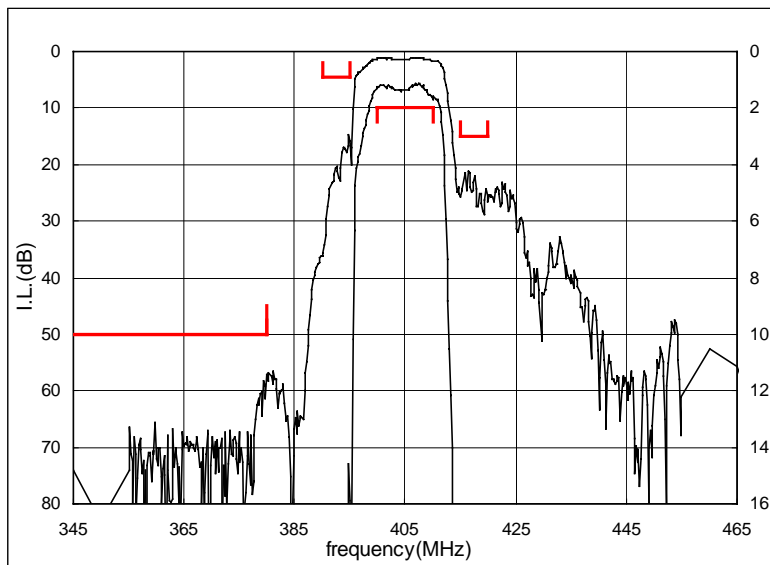
Specification

Item	Specification	
	-30 to +70°C	typ.
Nominal Center Frequency(f_c)	405 MHz	
Insertion Loss (400 to 410 MHz)	2.0 dB max.	1.6 dB
Absolute Attenuation		
1) 0.3 to 380 MHz	50 dB min.	57 dB
2) 390 to 395 MHz	4.5 dB min.	14 dB
3) 415 to 420 MHz	15 dB min.	20 dB
4) 810 to 2000 MHz	50 dB min.	55 dB
Ripple Deviation (400 to 410 MHz)	1.0 dB max.	0.6 dB
VSWR11 (400 to 410 MHz)	2.1 dB max.	1.85 dB
VSWR22 (400 to 410 MHz)	2.2 dB max.	1.75 dB
Amplitude Balance (400 to 410 MHz)	± 0.5 dB max.	± 0.2 dB max.
Phase Balance (400 to 410 MHz)	180 ± 3 deg. max.	180 ± 1.7 deg. max.
Input Impedance (nominal)	50 Ω	
Output Impedance (nominal)	200 Ω	
Input Signal Level	20mW(+13dBm), 2000 hours	

SAW FILTER FOR SCDMA400 Rx

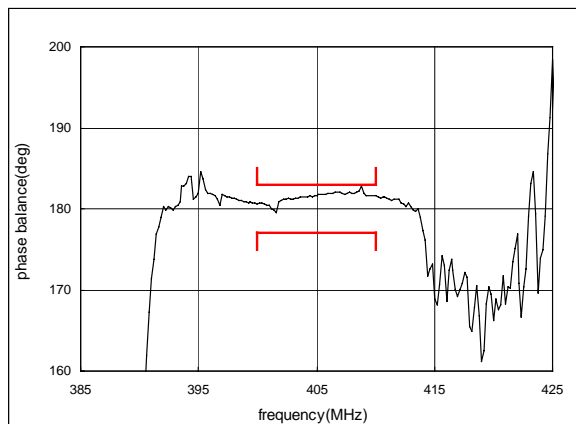
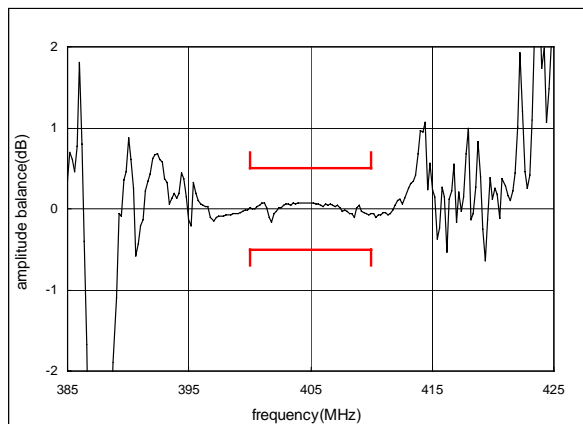
Murata part number : SAFES405MFL0F00

■ Frequency Performance



Amplitude balance

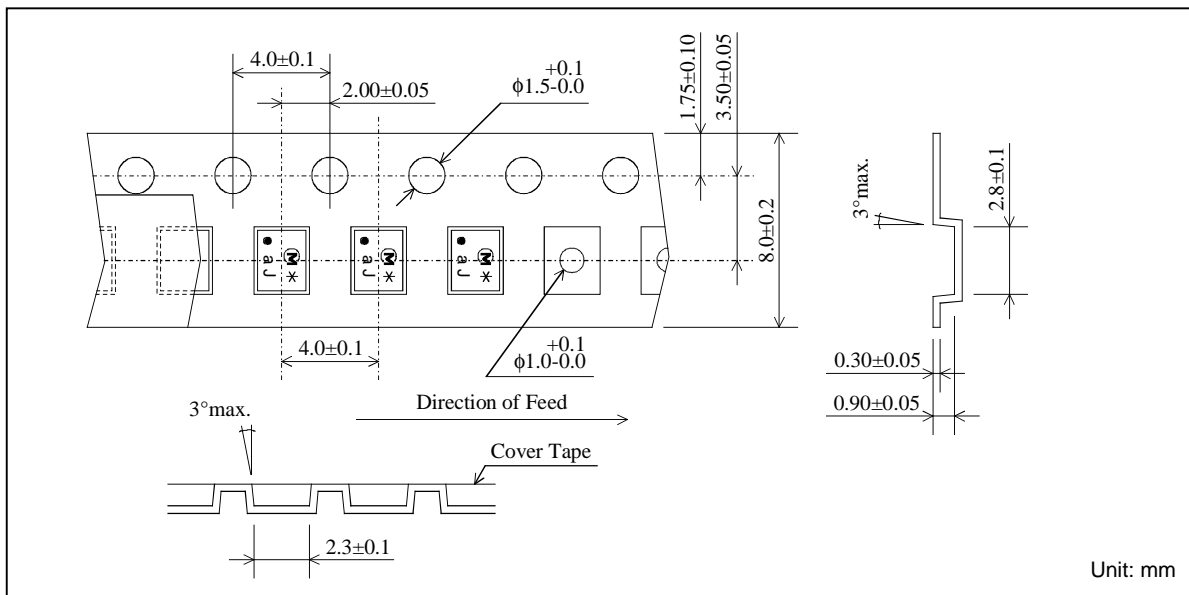
Phase balance



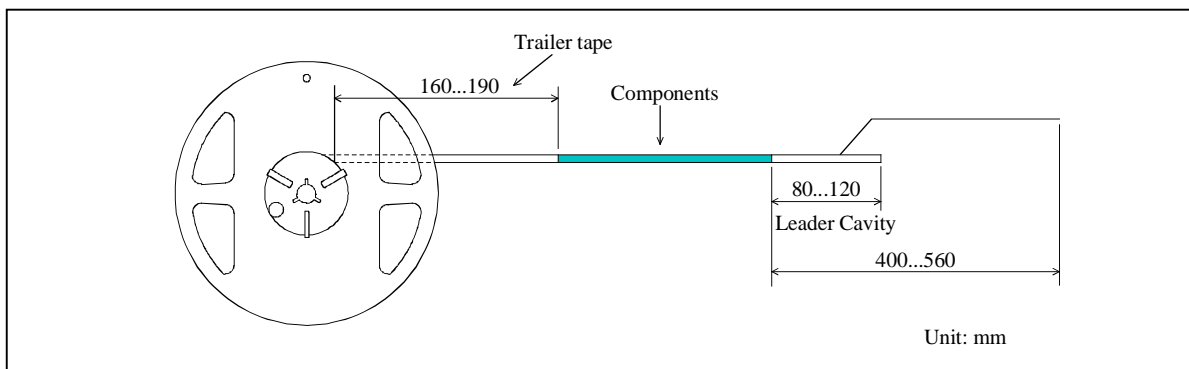
SAW FILTER FOR SCDMA400 Rx

Murata part number : SAFES405MFL0F00

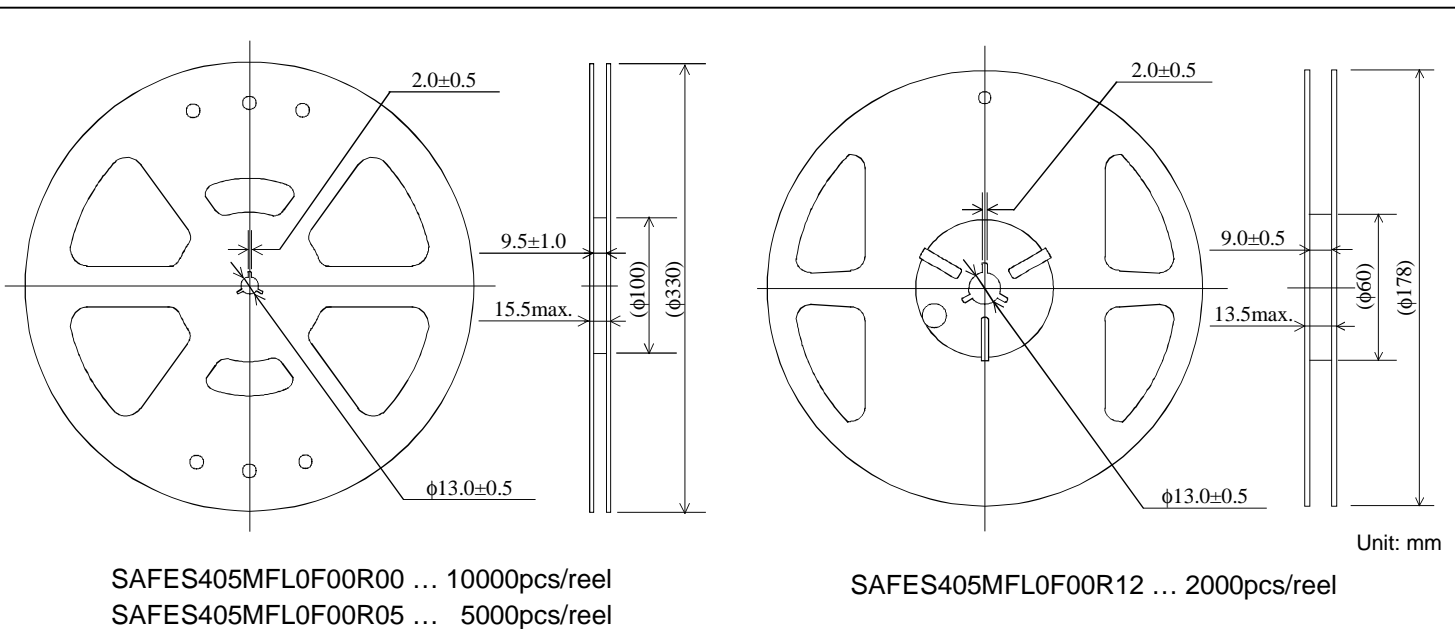
Dimensions of Carrier Tape



Dimensions of Tape



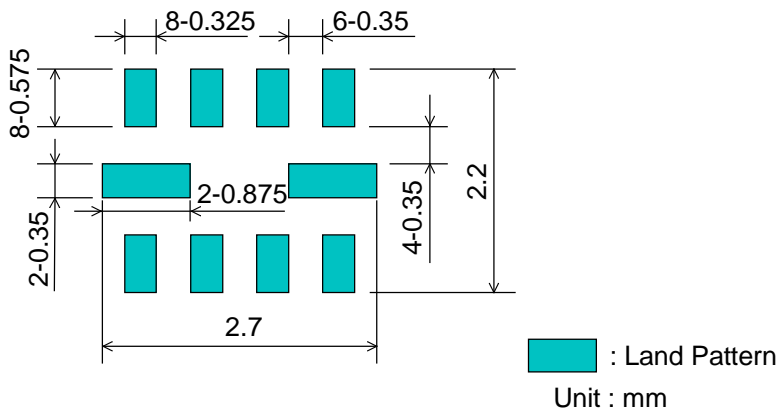
Dimensions of Reel



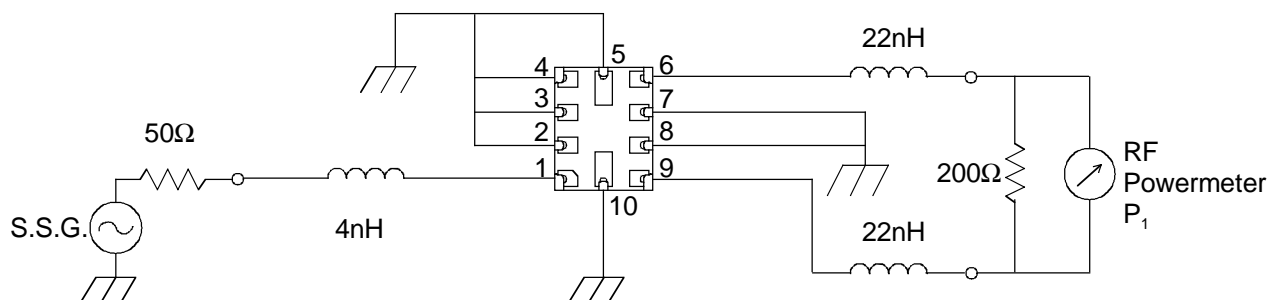
SAW FILTER FOR SCDMA400 Rx

Murata part number : SAFES405MFL0F00

Recommended Land Pattern



Test Circuit



- This PDF Datasheet is downloaded from the website of Murata Manufacturing Co., Ltd. Therefore, it's specifications are subject to change or our products in it may be discontinued without advance notice. Please check with our sales representatives or product engineers before ordering.
- This PDF Datasheet has only typical specifications because there is no space for detailed specifications. Therefore, please approve our product specifications or transact the approval sheet for product specifications before ordering.