

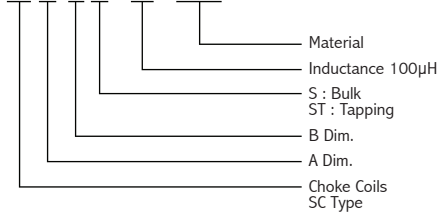
CHOKES COILS  
SC TYPE

# SC0717 Series



## PRODUCT IDENTIFICATION

SC 07 17 □ - 101 - X129



## FEATURES

- Low Cost
- Wide Range of Inductance
- High Reliability

## TEST INSTRUMENTS

L : HP 4192A LF Impedance Analyzer

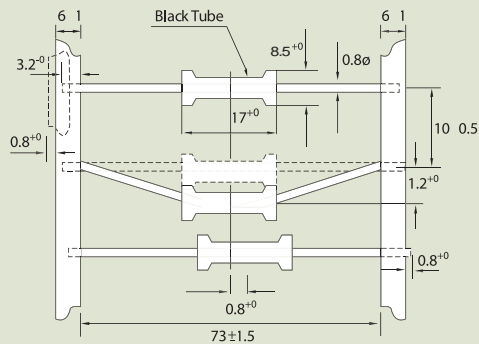
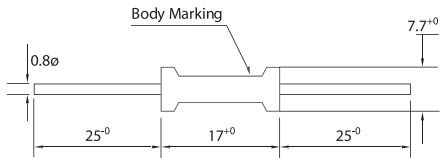
D.C. Current : CHEN HWA CHI061+301A

D.C. Resistance : CHEN HWA502BC

- YAGEO the part number of lead-free products will be added "-N" after original one as identification. Ex: SC0717 □ -3R9-X129-N
- YAGEO uses UL tube on SC Series to avoid damage when wave soldering

## DIMENSIONS

Dimensions : mm





## ELECTRICAL PARAMETERS

ITEM	INDUCTANCE L ( $\mu$ H) @1 KHZ, 1V	D.C. RESISTANCE Max. ( $\Omega$ )	D.C. CURRENT Min. (mA)
SC0717 □ -3R9-X129	3.9 $\pm$ 15%	0.019	3600
SC0717 □ -4R7-X129	4.7 $\pm$ 15%	0.022	2800
SC0717 □ -5R6-X129	5.6 $\pm$ 15%	0.024	2600
SC0717 □ -6R8-X129	6.8 $\pm$ 15%	0.026	2200
SC0717 □ -8R2-X129	8.2 $\pm$ 15%	0.028	2100
SC0717 □ -100-X129	10 $\pm$ 15%	0.033	1700
SC0717 □ -120-X129	12 $\pm$ 15%	0.037	1700
SC0717 □ -150-X129	15 $\pm$ 15%	0.040	1400
SC0717 □ -180-X129	18 $\pm$ 15%	0.044	1300
SC0717 □ -220-X129	22 $\pm$ 15%	0.050	1200
SC0717 □ -270-X129	27 $\pm$ 15%	0.058	1100
SC0717 □ -330-X129	33 $\pm$ 15%	0.075	950
SC0717 □ -390-X129	39 $\pm$ 15%	0.094	900
SC0717 □ -470-X129	47 $\pm$ 15%	0.109	830
SC0717 □ -560-X129	56 $\pm$ 15%	0.140	750
SC0717 □ -680-X129	68 $\pm$ 15%	0.131	700
SC0717 □ -820-X129	82 $\pm$ 15%	0.152	600
SC0717 □ -101-X129	100 $\pm$ 15%	0.208	550
SC0717 □ -121-X129	120 $\pm$ 15%	0.283	500
SC0717 □ -151-X129	150 $\pm$ 15%	0.34	450
SC0717 □ -181-X129	180 $\pm$ 15%	0.362	450
SC0717 □ -221-X129	220 $\pm$ 15%	0.43	350
SC0717 □ -271-X129	270 $\pm$ 15%	0.557	300
SC0717 □ -331-X129	330 $\pm$ 15%	0.665	300
SC0717 □ -391-X129	390 $\pm$ 15%	0.772	250
SC0717 □ -471-X129	470 $\pm$ 15%	1.15	250
SC0717 □ -561-X129	560 $\pm$ 15%	1.27	250
SC0717 □ -681-X129	680 $\pm$ 15%	1.61	200
SC0717 □ -821-X129	820 $\pm$ 15%	1.96	200
SC0717 □ -102-X129	1000 $\pm$ 15%	2.30	180
SC0717 □ -122-X129	1200 $\pm$ 15%	2.65	170
SC0717 □ -152-X129	1500 $\pm$ 15%	3.40	140
SC0717 □ -182-X129	1800 $\pm$ 15%	4.03	130
SC0717 □ -222-X129	2200 $\pm$ 15%	4.38	120
SC0717 □ -272-X129	2700 $\pm$ 15%	5.40	100
SC0717 □ -332-X129	3300 $\pm$ 15%	6.56	95
SC0717 □ -392-X129	3900 $\pm$ 15%	8.63	90
SC0717 □ -472-X129	4700 $\pm$ 15%	9.66	80
SC0717 □ -562-X129	5600 $\pm$ 15%	13.90	70
SC0717 □ -682-X129	6800 $\pm$ 15%	16.30	60
SC0717 □ -822-X129	8200 $\pm$ 15%	20.80	60
SC0717 □ -103-X129	10000 $\pm$ 15%	26.40	55
SC0717 □ -123-X129	12000 $\pm$ 15%	29.90	45
SC0717 □ -153-X129	15000 $\pm$ 15%	42.50	45
SC0717 □ -183-X129	18000 $\pm$ 15%	48.30	40

\* Customers' specifications are welcome.

NOTE : Marking : Per Customer's Specifications

CHOKE COILS  
SC TYPE

# SC1126 Series



## FEATURES

- Low Cost
- Wide Range of Inductance
- High Reliability

## TEST INSTRUMENTS

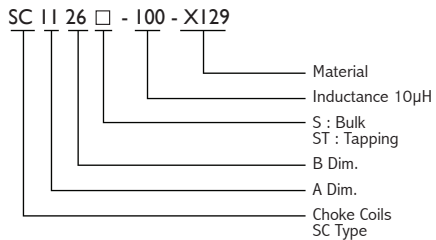
L : HP 4192A LF Impedance Analyzer

D.C. Current : CHEN HWA CH1061+301A

D.C. Resistance : CHEN HWA502BC

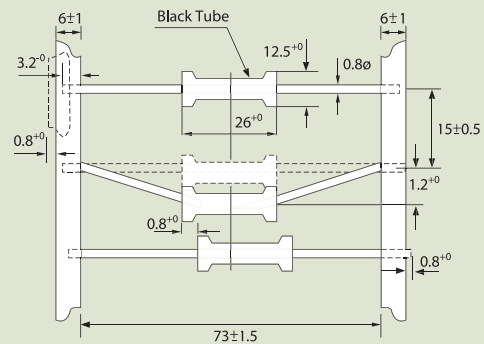
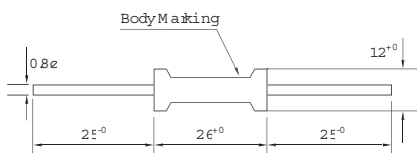
- YAGEO the part number of lead-free products will be added "-N" after original one as identification. Ex: SC1126□-100-X129-N
- YAGEO uses UL tube on SC Series to avoid damage when wave soldering

## PRODUCT IDENTIFICATION



## DIMENSIONS

Dimensions : mm





## ELECTRICAL PARAMETERS

ITEM	INDUCTANCE L (μH) @1 KHz, 1V	D.C. RESISTANCE Max. (Ω)	D.C. CURRENT Min. (mA)
SC1126 □ -100-X129	10±15%	0.023	4200
SC1126 □ -120-X129	12±15%	0.025	3600
SC1126 □ -150-X129	15±15%	0.030	3400
SC1126 □ -180-X129	18±15%	0.032	3100
SC1126 □ -220-X129	22±15%	0.035	2700
SC1126 □ -270-X129	27±15%	0.038	2400
SC1126 □ -330-X129	33±15%	0.043	2200
SC1126 □ -390-X129	39±15%	0.047	1800
SC1126 □ -470-X129	47±15%	0.054	1800
SC1126 □ -560-X129	56±15%	0.060	1500
SC1126 □ -680-X129	68±15%	0.068	1500
SC1126 □ -820-X129	82±15%	0.073	1300
SC1126 □ -101-X129	100±15%	0.098	1200
SC1126 □ -121-X129	120±15%	0.140	1100
SC1126 □ -151-X129	150±15%	0.180	1000
SC1126 □ -181-X129	180±15%	0.200	940
SC1126 □ -221-X129	220±15%	0.280	800
SC1126 □ -271-X129	270±15%	0.310	800
SC1126 □ -331-X129	330±15%	0.350	600
SC1126 □ -391-X129	390±15%	0.380	600
SC1126 □ -471-X129	470±15%	0.440	500
SC1126 □ -561-X129	560±15%	0.480	500
SC1126 □ -681-X129	680±15%	0.630	450
SC1126 □ -821-X129	820±15%	0.870	450
SC1126 □ -102-X129	1000±15%	0.96	400
SC1126 □ -122-X129	1200±15%	1.30	390
SC1126 □ -152-X129	1500±15%	1.40	300
SC1126 □ -182-X129	1800±15%	1.70	300
SC1126 □ -222-X129	2200±15%	2.30	260
SC1126 □ -272-X129	2700±15%	2.60	250
SC1126 □ -332-X129	3300±15%	3.50	200



## ELECTRICAL PARAMETERS

ITEM	INDUCTANCE L ( $\mu$ H) @1 KHz, IV	D.C. RESISTANCE Max. ( $\Omega$ )	D.C. CURRENT Min. (mA)
SC1126 □392-X129	3900 $\pm$ 15%	3.80	200
SC1126 □472-X129	4700 $\pm$ 15%	4.30	180
SC1126 □562-X129	5600 $\pm$ 15%	5.60	170
SC1126 □682-X129	6800 $\pm$ 15%	6.30	140
SC1126 □822-X129	8200 $\pm$ 15%	8.60	140
SC1126 □103-X129	10000 $\pm$ 15%	9.70	120
SC1126 □123-X129	12000 $\pm$ 15%	11.00	110
SC1126 □153-X129	15000 $\pm$ 15%	15.00	100
SC1126 □183-X129	18000 $\pm$ 15%	20.00	95
SC1126 □223-X129	22000 $\pm$ 15%	24.00	85
SC1126 □273-X129	27000 $\pm$ 15%	26.00	80
SC1126 □333-X129	33000 $\pm$ 15%	35.00	70
SC1126 □393-X129	39000 $\pm$ 15%	38.00	65
SC1126 □473-X129	47000 $\pm$ 15%	50.00	60
SC1126 □563-X129	56000 $\pm$ 15%	55.00	55
SC1126 □683-X129	68000 $\pm$ 15%	76.00	50
SC1126 □823-X129	82000 $\pm$ 15%	86.00	45
SC1126 □104-X129	100000 $\pm$ 15%	99.00	40
SC1126 □124-X129	120000 $\pm$ 15%	110.0	40
SC1126 □154-X129	150000 $\pm$ 15%	200.0	35
SC1126 □184-X129	180000 $\pm$ 15%	220.0	30
SC1126 □224-X129	220000 $\pm$ 15%	300.0	25
SC1126 □274-X129	270000 $\pm$ 15%	320.0	25
SC1126 □334-X129	330000 $\pm$ 15%	420.0	25
SC1126 □394-X129	390000 $\pm$ 15%	480.0	20
SC1126 □474-X129	470000 $\pm$ 15%	670.0	20
SC1126 □564-X129	560000 $\pm$ 15%	730.0	20
SC1126 □684-X129	680000 $\pm$ 15%	870.0	15
SC1126 □824-X129	820000 $\pm$ 15%	950.0	15
SC1126 □105-X129	1000000 $\pm$ 15%	1100.0	15

\* Customers' specifications are welcome.

NOTE : Marking : Per Customer's Specifications

CHOKER COILS  
SC TYPE

# SC1223 Series



## FEATURES

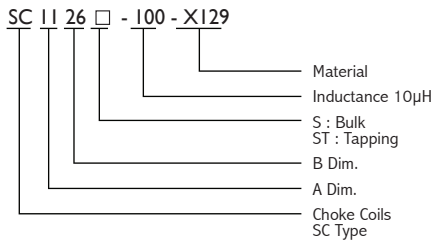
- Low Cost
- Wide Range of Inductance
- High Reliability

## TEST INSTRUMENTS

- L : HP 4192A LF Impedance Analyzer
- D.C. Current : CHEN HWA CHI061+301A
- D.C. Resistance : CHEN HWA502BC

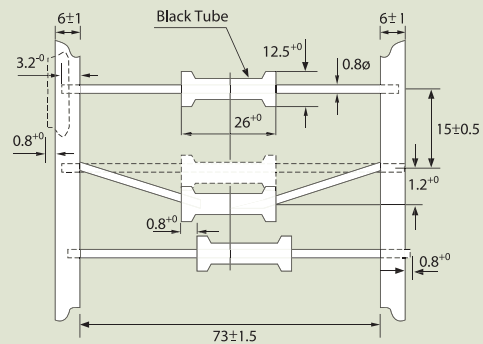
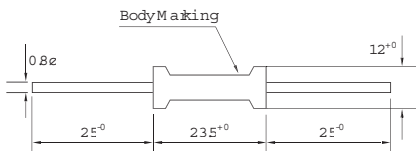
- YAGEO the part number of lead-free products will be added "-N" after original one as identification. Ex: SC1123□-3R9-X129-N
- YAGEO uses UL tube on SC Series to avoid damage when wave soldering

## PRODUCT IDENTIFICATION



## DIMENSIONS

Dimensions : mm





## ELECTRICAL PARAMETERS

ITEM	INDUCTANCE L ( $\mu$ H) @1 KHz, 1V	D.C. RESISTANCE Max. ( $\Omega$ )	D.C. CURRENT Min. (mA)
SC1223 □ -3R9-X129	3.9 $\pm$ 15%	0.007	4500
SC1223 □ -4R7-X129	4.7 $\pm$ 15%	0.008	4000
SC1223 □ -5R6-X129	5.6 $\pm$ 15%	0.009	3500
SC1223 □ -6R8-X129	6.8 $\pm$ 15%	0.011	3300
SC1223 □ -8R2-X129	8.2 $\pm$ 15%	0.013	2900
SC1223 □ -100-X129	10 $\pm$ 15%	0.017	2700
SC1223 □ -120-X129	12 $\pm$ 15%	0.019	2400
SC1223 □ -150-X129	15 $\pm$ 15%	0.022	2100
SC1223 □ -180-X129	18 $\pm$ 15%	0.023	1900
SC1223 □ -220-X129	22 $\pm$ 15%	0.026	1700
SC1223 □ -270-X129	27 $\pm$ 15%	0.027	1500
SC1223 □ -330-X129	33 $\pm$ 15%	0.032	1400
SC1223 □ -390-X129	39 $\pm$ 15%	0.033	1300
SC1223 □ -470-X129	47 $\pm$ 15%	0.035	1200
SC1223 □ -560-X129	56 $\pm$ 15%	0.037	1100
SC1223 □ -680-X129	68 $\pm$ 15%	0.047	1400
SC1223 □ -820-X129	82 $\pm$ 15%	0.060	1300
SC1223 □ -101-X129	100 $\pm$ 15%	0.080	1200
SC1223 □ -121-X129	120 $\pm$ 15%	0.090	1100
SC1223 □ -151-X129	150 $\pm$ 15%	0.120	940
SC1223 □ -181-X129	180 $\pm$ 15%	0.140	900
SC1223 □ -221-X129	220 $\pm$ 15%	0.160	800
SC1223 □ -271-X129	270 $\pm$ 15%	0.180	770
SC1223 □ -331-X129	330 $\pm$ 15%	0.212	620
SC1223 □ -391-X129	390 $\pm$ 15%	0.260	600
SC1223 □ -471-X129	470 $\pm$ 15%	0.281	510
SC1223 □ -561-X129	560 $\pm$ 15%	0.380	480
SC1223 □ -681-X129	680 $\pm$ 15%	0.500	470



## ELECTRICAL PARAMETERS

ITEM	INDUCTANCE L (μH) @1 KHz, IV	D.C. RESISTANCE Max. (Ω)	D.C. CURRENT Min. (mA)
SC1223 □ -821-X129	820±15%	0.548	430
SC1223 □ -102-X129	1000±15%	0.655	380
SC1223 □ -122-X129	1200±15%	0.884	350
SC1223 □ -152-X129	1500±15%	1.040	310
SC1223 □ -182-X129	1800±15%	1.180	290
SC1223 □ -222-X129	2200±15%	1.568	250
SC1223 □ -272-X129	2700±15%	2.06	220
SC1223 □ -332-X129	3300±15%	2.53	210
SC1223 □ -392-X129	3900±15%	2.75	200
SC1223 □ -472-X129	4700±15%	3.19	170
SC1223 □ -562-X129	5600±15%	3.92	150
SC1223 □ -682-X129	6800±15%	6.69	140
SC1223 □ -822-X129	8200±15%	6.32	130
SC1223 □ -103-X129	10000±15%	7.30	110
SC1223 □ -123-X129	12000±15%	9.21	100
SC1223 □ -153-X129	15000±15%	10.50	95
SC1223 □ -183-X129	18000±15%	14.80	90
SC1223 □ -223-X129	22000±15%	21.80	80
SC1223 □ -273-X129	27000±15%	22.70	70
SC1223 □ -333-X129	33000±15%	25.7	60
SC1223 □ -393-X129	39000±15%	33.00	60
SC1223 □ -473-X129	47000±15%	36.10	60
SC1223 □ -563-X129	56000±15%	40.90	55
SC1223 □ -683-X129	68000±15%	57.30	45
SC1223 □ -823-X129	82000±15%	79.30	40
SC1223 □ -104-X129	100000±15%	89.70	40

\* Customers' specifications are welcome.

NOTE : Marking : Per Customer's Specifications