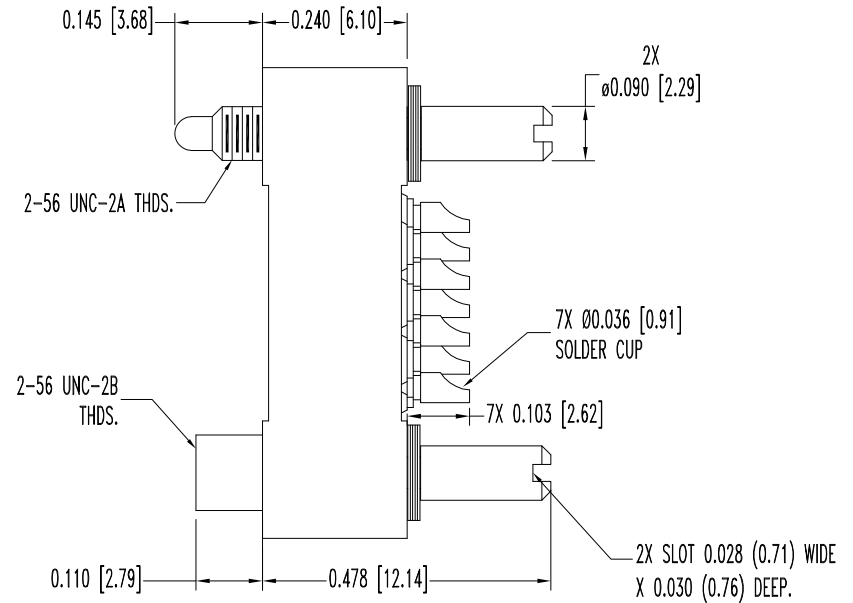
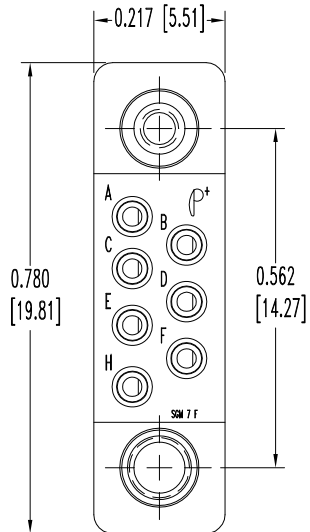


THIS DRAWING CONTAINS INFORMATION PROPRIETARY TO POSITRONIC AND ITS SUBSIDIARIES. POSITRONIC BELIEVES THE DATA ON THIS DRAWING TO BE RELIABLE. SINCE THE TECHNICAL INFORMATION IS GIVEN FREE OF CHARGE, THE USER EMPLOYS SUCH INFORMATION AT HIS OWN DISCRETION AND RISK. POSITRONIC ASSUMES NO RESPONSIBILITY FOR RESULTS OBTAINED OR DAMAGES INCURRED FROM USE OF SUCH INFORMATION IN WHOLE OR IN PART.

DATE	REV	REVISION RECORD	APP	DR	CK
11-09	NC	ECO 31763	TK	ME	TK
2-10	A	ECO 32126	TK	BE	TK



NOTES:

- MATERIALS AND FINISHES:
 INSULATOR: GLASS FILLED DAP PER ASTM-D-5948 TYPE SDG-F, COLOR, GREY.
 CONTACTS: PRECISION MACHINED HIGH TENSILE COPPER ALLOY WITH BERYLLIUM COPPER CLIP, GOLD FLASH OVER NICKEL FINISH.
 JACKSCREWS AND WASHERS: STAINLESS STEEL PASSIVATED.
- DETAILED PRODUCT, ELECTRICAL, AND MECHANICAL INFORMATION IS AVAILABLE IN THE LATEST HIGH DENSITY RECTANGULAR PRODUCT PUBLICATION. VISIT CONNECTPOSITRONIC.COM/PRODUCTS/54/HIGHDENSITYRECTANGULAR OR CONNECTPOSITRONIC.COM.
- DIMENSIONS ARE IN INCHES [MILLIMETERS].

	POSITRONIC INDUSTRIES INC. www.connectpositronic.com		FSCM 28198
	DECIMAL TOL. ± 0.015 [0.38]	SCALE N.T.S.	DRAWN BY ME
ANGULAR TOL. $\pm 5^\circ$	TITLE SGM SERIES		DATE 11-19-09
DRAWING NUMBER SK11156		REV. A	