

6 POSITION LOW PROFILE MALE CONNECTORS



PHYSICAL PROPERTIES

INSULATION MATERIAL: High temperature thermo-plastic UL 94V-0 rated

INSULATOR COLOR: Transparent, Transparent Smoke, Natural

CONTACTS: Copper alloy

PLATING: Nickel plate overall, gold finish in contact zone

INSERTION FORCE: 8 Contact Male

Into DT series Female 2 lbs max.

Into RC series female 4 lbs max.

PLUG RETENTION IN FEMALE: 20 lb. max load

Cable Retention in Plug 20 lb. max load

DURABILITY: Mating cycles 2000 minimum

ELECTRICAL PROPERTIES

CURRENT RATING: 3 amps nominal

CONTACT RESISTANCE: Top portion mated to female spring contact

Initial: 10 milliohms max.

After cycling: 20 milliohms max

PIERCE TIP CONNECTED TO CONDUCTOR IN PLUG:

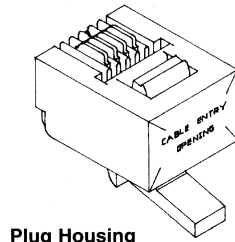
Initial: 3 milliohms max.

After cycling: 5 milliohms max

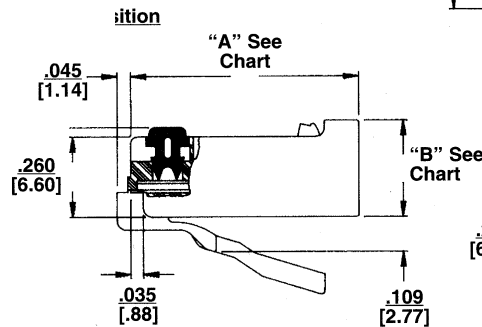
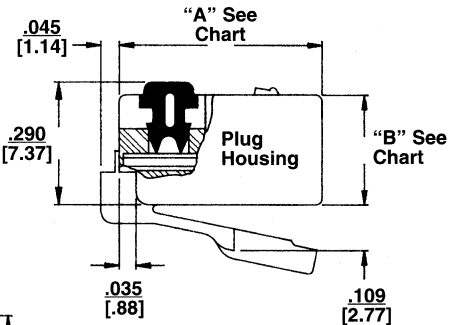
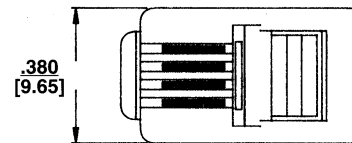
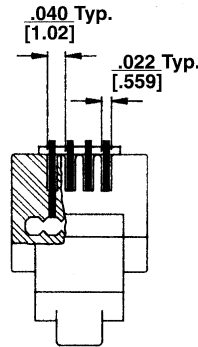
INSULATION RESISTANCE: 1000 megohms min.

DIELECTRIC WITHSTANDING: 1000 VRMS @ 60 sec duration voltage

**2 to 6 Contacts
Available**



Plug Housing



UL RECOGNIZED DUXR2 MODULAR PLUGS

Ordering Information

# OF CONTACTS	SHAPE	DIM A	DIM B	CABLE COMPATIBILITY				STANDARD GOLD
				MIN	MAX	MIN	MAX	
2	Round	.480 [12.19]	.260 [6.60]	.105	.150	2.57	3.31	020-003-216
2	Flat/Oval	.480 [12.19]	.260 [6.60]	.080	.130	2.03	3.30	020-003-408
4	Round	.480 [12.19]	.260 [6.60]	.105	.150	2.57	3.31	020-003-353
4	Flat/Oval	.480 [12.19]	.260 [6.60]	.080	.130	2.03	3.30	020-003-354
6	Round	.480 [12.19]	.260 [6.60]	.105	.150	2.57	3.31	020-003-355
6	Flat/Oval	.480 [12.19]	.260 [6.60]	.080	.130	2.03	3.30	020-003-356
8	Round or Flat/Oval	.730 [18.54]	.315 [8.00]	.120 .110	.180 .145	3.04 2.79	4.69 3.68	020-003-357
8	Round or Flat/Oval	.730 [18.54]	.315 [8.00]	.170 .140	.200 .170	4.31 3.55	5.08 4.31	020-003-367*
8	Round or Flat/Oval	.730 [18.54]	.315 [8.00]	.120 .110	.180 .145	3.04 2.79	4.69 3.68	020-003-358**

* FOR LARGER OD CABLE. ** FOR SMALLER THAN .030" INSULATED CONDUCTORS.