

PLEASE CHECK WWW.MOLEX.COM FOR LATEST PART INFORMATION

Part Number: [0460112400](#)

Status: **Active**

Overview:

Description: 4.20mm (.165") Pitch Mini-Fit Plus HCS™ Header, Dual Row, Vertical, Blind Mating, 24 Circuits, with Snap-in Plastic Peg PCB Lock, PA Polyamide Nylon 6/6, UL 94V-2, Tin (Sn) 1.27µm (50µ") Over Nickel (Ni) Plating

Documents:

[3D Model](#)

[Drawing \(PDF\)](#)

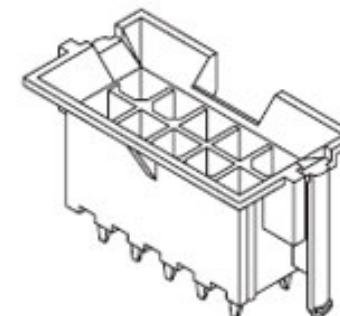
[RoHS Certificate of Compliance \(PDF\)](#)

General

Product Family	PCB Headers
Series	46011
Application	Board-to-Board
Application	Wire-to-Board
Comments	Current = 11A max. per circuit when header is mated to a receptacle loaded with 45750 series terminals crimped to 16 AWG wire.. See Molex product specification PS-45750-002 for additional current de-rating information
Overview	Mini-Fit HCS™
Product Name	Mini-Fit Plus HCS™

Physical

Breakaway	No
Circuits (Loaded)	24
Circuits (maximum)	24
Color - Resin	Natural
Durability (mating cycles max)	30
First Mate / Last Break	No
Flammability	94V-2
Glow-Wire Compliant	No
Guide to Mating Part	Yes
Keying to Mating Part	None
Lock to Mating Part	Yes
Material - Metal	Copper Alloy
Material - Plating Mating	Tin
Material - Plating Termination	Tin
Material - Resin	Nylon
Number of Rows	2
Orientation	Vertical
PC Tail Length (in)	0.071 In
PC Tail Length (mm)	1.80 mm
PCB Locator	Yes
PCB Retention	Yes
PCB Thickness Recommended (in)	0.070 In
PCB Thickness Recommended (mm)	1.78 mm
Packaging Type	Tray
Pitch - Mating Interface (in)	0.165 In
Pitch - Mating Interface (mm)	4.20 mm
Plating min: Mating (µin)	100
Plating min: Mating (µm)	2.54
Plating min: Termination (µin)	50
Plating min: Termination (µm)	1.27
Polarized to Mating Part	Yes
Polarized to PCB	Yes



Series image - Reference only

EU RoHS

ELV and RoHS Compliant

REACH SVHC

Contains SVHC: No

Halogen-Free

Status

Halogen-Free

China RoHS



Need more information on product environmental compliance?

Email productcompliance@molex.com
Please visit the [Contact Us](#) section for any non-product compliance questions.

Search Parts in this Series

[46011 Series](#)

Mates With

[15060241](#) Mini-Fit BMI™ Panel Mount Receptacle, [39012245](#) Mini-Fit Jr.™ Receptacle, [445160012](#) Mini-Fit BMI™ Slide and Lock Panel Mount Receptacle, [460102421](#) Mini-Fit Plus HCS™ Receptacle Header

Shrouded	Fully
Stackable	No
Surface Mount Compatible (SMC)	No
Temperature Range - Operating	-40°C to +105°C
Termination Interface: Style	Through Hole

Electrical

Current - Maximum	11A
UL	E29179
Voltage - Maximum	600V

Solder Process Data

Duration at Max. Process Temperature (seconds)	5
Lead-free Process Capability	Wave Capable (TH only)
Max. Cycles at Max. Process Temperature	1
Process Temperature max. C	273

Material Info**Reference - Drawing Numbers**

Sales Drawing	SD-46011-001
---------------	--------------

This document was generated on 11/06/2009

PLEASE CHECK WWW.MOLEX.COM FOR LATEST PART INFORMATION