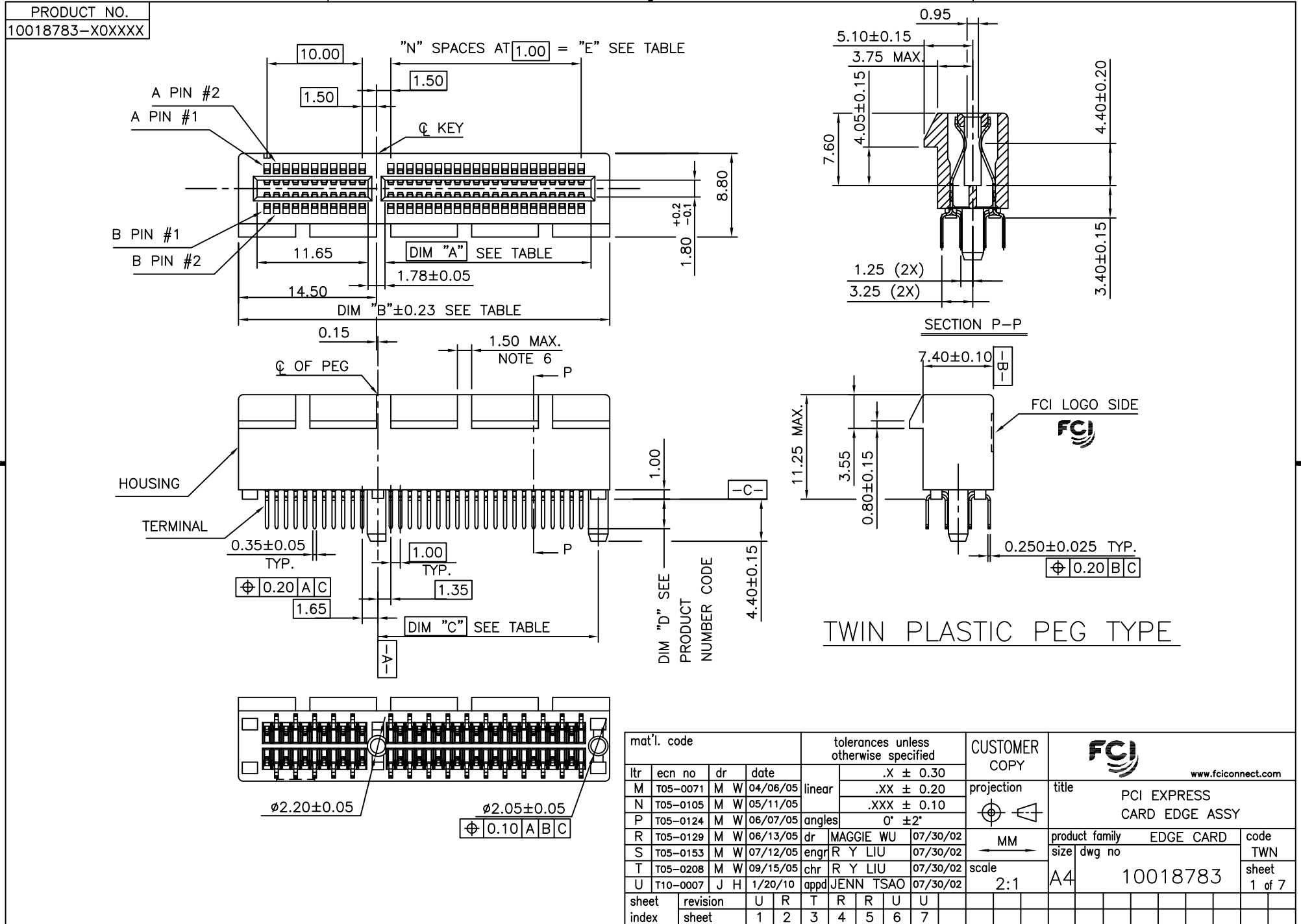


Tous droits strictement reserves. Reproduction ou communication a des tiers interdite sous quelque forme que ce soit sans autorisation écrite du propriétaire. Propriete de c FCI. Droits de reproduction FCI.



All rights strictly reserved. Reproduction or issue to third parties in any form whatever is not permitted without written authority from the proprietor. Property of FCI. Copyright FCI.



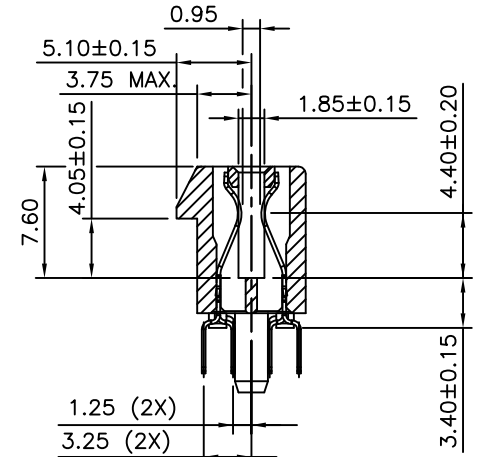
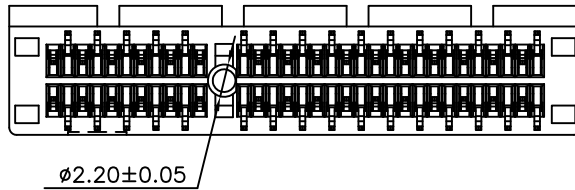
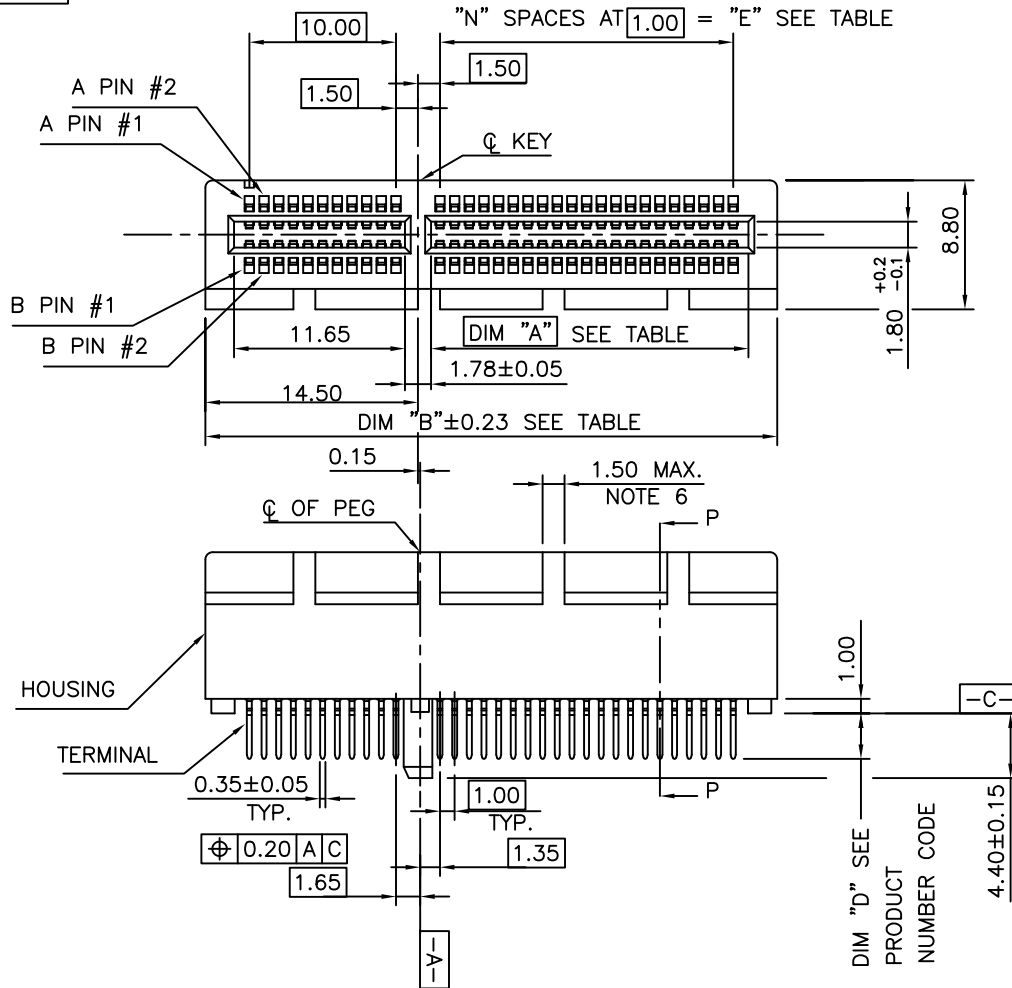
mat'l. code				tolerances unless otherwise specified				CUSTOMER COPY		FCI www.fciconnect.com		
ltr	ecn no	dr	date	linear	.X ± 0.30		projection	title	PCI EXPRESS CARD EDGE ASSY			
M	T05-0071	M W	04/06/05		.XX ± 0.20				product family		EDGE CARD	code
N	T05-0105	M W	05/11/05		.XXX ± 0.10				size		dwg no	TWN
P	T05-0124	M W	06/07/05	angles	0° ±2°		scale	A4	10018783		sheet	
R	T05-0129	M W	06/13/05	dr	MAGGIE WU	07/30/02			product family		EDGE CARD	code
S	T05-0153	M W	07/12/05	enr	R Y LIU	07/30/02			size		dwg no	TWN
T	T05-0208	M W	09/15/05	chr	R Y LIU	07/30/02	2:1	A4	10018783		sheet	
U	T10-0007	J H	1/20/10	appd	JENN TSAO	07/30/02			1 of 7			
sheet index	revision sheet	U R T R R U U	1 2 3 4 5 6 7									

Tous droits strictement réservés. Reproduction ou communication a des tiers interdite sous quelque forme que ce soit sans autorisation écrite du propriétaire. Propriété de c FCI. Droits de reproduction FCI.

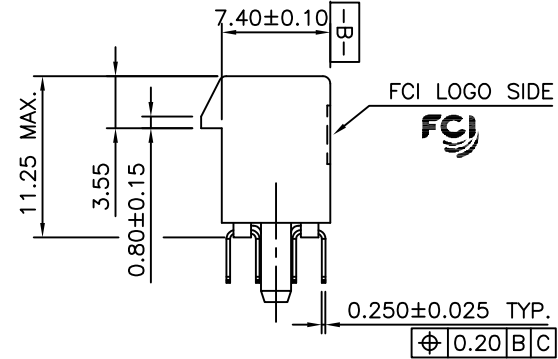
All rights strictly reserved. Reproduction or issue to third parties in any form whatever is not permitted without written authority from the proprietor. Property of FCI. Copyright FCI.



PRODUCT NO.
10018783-X2XXXX



SECTION P-P



SINGLE PLASTIC PEG TYPE

mat'l. code				tolerances unless otherwise specified			CUSTOMER COPY		FCI www.fciconnect.com	
ltr	ecn no	dr	date	linear	.X ± 0.30		projection	title		
R					.XX ± 0.20			PCI EXPRESS CARD EDGE ASSY		
					.XXX ± 0.10					
				angles	0° ±2°		MM	product family		code
				dr	MAGGIE WU	07/30/02		EDGE CARD		TWN
				enr	R Y LIU	07/30/02		size dwg no		sheet
				chr	R Y LIU	07/30/02	scale	A4		10018783
				appd	JENN TSAO	07/30/02		2:1		2 of
sheet index	revision sheet									

ACAD

PDM: Rev:U

STATUS: Released

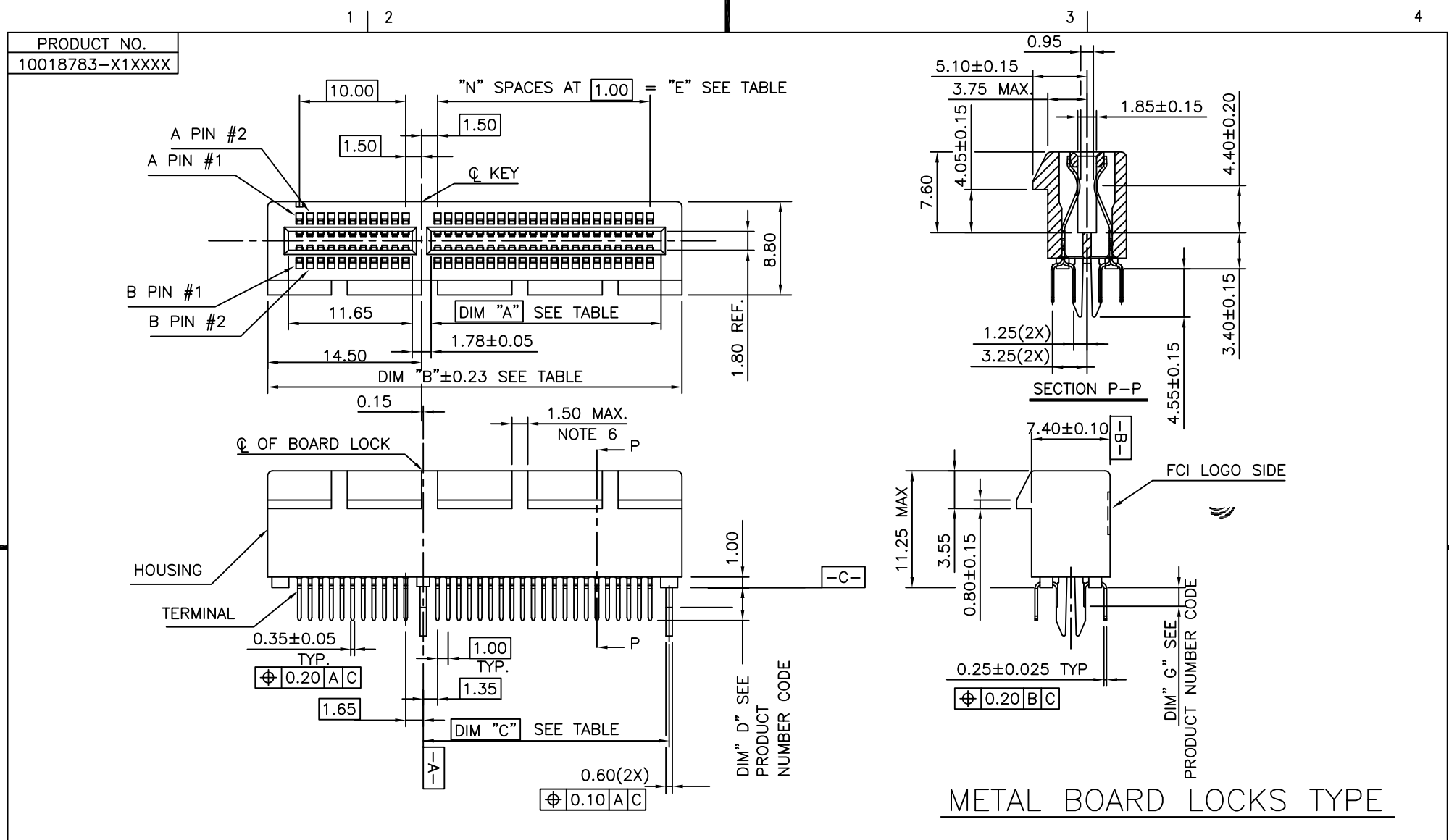
cage code
22526

Printed: Feb 04, 2010

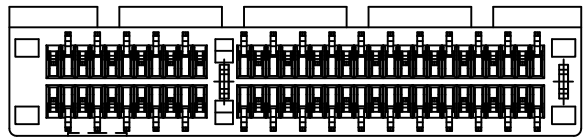
Tous droits strictement réservés. Reproduction ou communication a des tiers interdite sous quelque forme que ce soit sans autorisation écrite du propriétaire. Propriete de c FCI. Droits de reproduction FCI.



All rights strictly reserved. Reproduction or issue to third parties in any form whatever is not permitted without written authority from the proprietor. Property of FCI. Copyright FCI.



METAL BOARD LOCKS TYPE

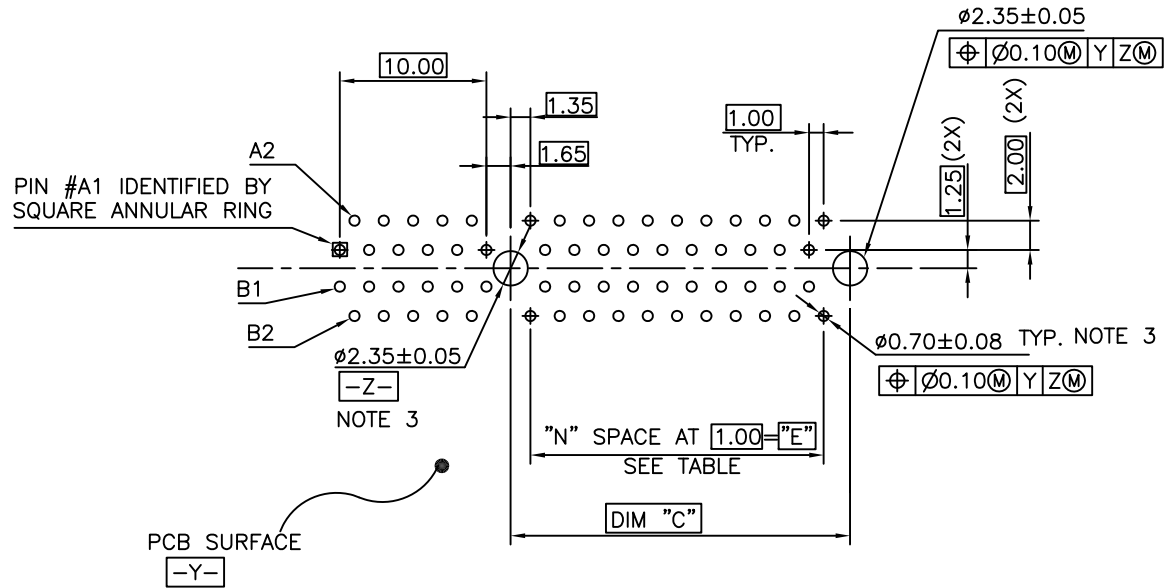


mat'l. code				tolerances unless otherwise specified			CUSTOMER COPY		FCI	
ltr	ecn no	dr	date	linear	.X ± 0.30	projection	www.fciconnect.com			
T					.XX ± 0.20		title			
				angles	.XXX ± 0.10		PCI EXPRESS CARD EDGE ASSY			
					0° ±2'		product family		EDGE CARD	code
				dr	MAGGIE WU 07/30/02		size		dwg no	TWN
				enr	R Y LIU 07/30/02		scale		A4	10018783
				chr	R Y LIU 07/30/02	2:1				3 of
				appd	JENN TSAO 07/30/02					
sheet index	revision sheet									

Tous droits strictement reserves. Reproduction ou communication a des tiers interdite sous quelque forme que ce soit sans autorisation écrite du propriétaire. Propriete de c FCI. Droits de reproduction FCI.



All rights strictly reserved. Reproduction or issue to third parties in any form whatever is not permitted without written authority from the proprietor. Property of FCI. Copyright FCI.



← I/O PANEL DIRECTION

RECOMMENDED FOOTPRINT

mat'l. code				tolerances unless otherwise specified				CUSTOMER COPY		FCI www.fciconnect.com	
ltr	ecn no	dr	date	linear	.X ±		projection	title			
R					.XX ±			PCI EXPRESS CARD EDGE ASS'Y			
					.XXX ±						
				angles	0° ±2°		MM		product family		code
				dr	MAGGIE WU	07/30/02	← MM →		EDGE CARD		TWN
				enr	R Y LIU	07/30/02	scale		size		sheet
				chr	R Y LIU	07/30/02	2:1		A4		10018783
				appd	JENN TSAO	07/30/02					4 of
sheet index	revision sheet										

NOTES:

1.MATERIAL:

HOUSING: HIGH TEMPERATURE NYLON, GLASS FILLED UL94V-0 RATED.
TERMINAL: COPPER ALLOY.

PLATING: 50u" NICKEL UNDERPLATE ALL OVER
CONTACT AREA PLATING - SEE PRODUCT NUMBER CODE
SOLDER TAIL: TIN OR TIN /LEAD(90/10)- SEE PRODUCT NUMBER CODE 100u" MIN. OVER 50u" NICKEL.

METAL BOARD LOCKS: COPPER ALLOY.
FINISH: 100u" TIN OR TIN/LEAD(90/10) OVER 50u" NICKEL UNDERPLATE SEE PRODUCT NUMBER CODE.

2.PRODUCT SPECIFICATION: GS-12-233.

③THE HORIZONTAL AXIS FOR THE HOLE PATTERN IS ESTABLISHED BY A LINE THROUGH THE CENTER OF THE TWO Ø2.35 HOLES. THE VERTICAL AXIS IS 90° TO THE HORIZONTAL AXIS, THROUGH THE CENTER OF DATUM Z.

④NO TIE BAR PERMITTED FROM CARD EDGE TO LEADING EDGE OF PAD FOR PINS A1 AND PIN NUMBERS "F".

⑤CHAMFER EDGES MUST BE FREE OF CUTTING BURRS.

⑥FREQUENCY & LOCATION AT SUPPLIER DISCRETION. RIDGE MAY BE CONTINUOUS WITH NO BREAKS.

7.RoHS COMPATIBLE PRODUCT SPECIFICATIONS:

a - PLATING:

- "LF" MEANS THE PRODUCT IS LEAD-FREE, 2um MINIMUM MATTE TIN OVER 1.27um MINIMUM NICKEL UNDERPLATE.

b - MANUFACTURING PROCESS COMPATIBILITY:

- THE HOUSING WILL WITHSTAND EXPOSURE TO 260°C±5°C TEMPERATURE FOR 10 SECONDS IN RE-FLOW APPLICATION, REFER TO GS-14-858 FOR OPERATING.

PRODUCT NUMBER CODE

10018783 -X X X X X X □ □

LEAD FREE OPTION

LEAVE BLANK FOR TERMINAL PLATING 3,4,5
"LF" FOR TERMINAL PLATING OPTION 0,1,2

HOUSING COLOR OPTIONS

- 0-NATURAL
- 1-BLACK

PEGS OPTIONS

- 0-PLASTIC PEGS
- 1-METAL BOARD LOCKS
- 2-SINGLE PLASTIC PEGS

TERMINAL PLATING OPTIONS

- 0-50u" Ni UNDERPLATE
30u" Au CONTACT AREA
100u" TIN TAIL AREA ----- COMPATIBLE RoHS
- 1-50u" Ni UNDERPLATE
15u" Au CONTACT AREA
100u" TIN TAIL AREA ----- COMPATIBLE RoHS
- 2-50u" Ni UNDERPLATE
GOLD FLASH CONTACT AREA
100u" TIN TAIL AREA ----- COMPATIBLE RoHS
- 3-50u" Ni UNDERPLATE
30u" Au CONTACT AREA
100u" TIN/LEAD TAIL AREA ----- INCOMPLIANT RoHS
- 4-50u" Ni UNDERPLATE
15u" Au CONTACT AREA
100u" TIN/LEAD TAIL AREA ----- INCOMPLIANT RoHS
- 5-50u" Ni UNDERPLATE
GOLD FLASH CONTACT AREA
100u" TIN/LEAD TAIL AREA ----- INCOMPLIANT RoHS

POS OPTIONS

- 0-36
- 1-64
- 2-98
- 3-164


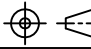
CONNECTOR	# POS REF.	N	DIM "A"	DIM "B"	DIM "C"	"E"
1 PORT	36	6	7.65	25.00	9.15	6.00
4 PORT	64	20	21.65	39.00	23.15	20.00
8 PORT	98	37	38.65	56.00	40.15	37.00
16 PORT	164	70	71.65	89.00	73.15	70.00

PACKAGING OPTIONS

- T-SOFT TRAY PACKAGING
- M-SOFT TRAY PACKAGING & MYLAR TAPE. SEE FIGULE 1
- Y-HARD TRAY PACKAGING (FOR 164P ONLY)
- Z-HARD TRAY PACKAGING WITH MYLAR (FOR 164P ONLY)

TAIL LENGTH OPTIONS

	DIM "D"	PCB THICKNESS	BOARD LOCKS DIM "G"
0	2.30 ±0.25	1.56±0.10	1.70±0.15
1	3.10 ±0.25	2.36±0.10	2.50±0.15
2	2.54±0.25	1.56±0.10	1.70±0.15
3	1.90±0.25	1.56±0.10	1.70±0.15

mat'l. code				tolerances unless otherwise specified		CUSTOMER COPY	 www.fciconnect.com		
ltr	ecn no	dr	date	linear	.X ± .XX ± .XXX ±	projection		title	
U				angles	0° ±2'		PCI EXPRESS CARD EDGE ASS'Y		
				dr	MAGGIE WU 07/30/02	MM	product family	EDGE CARD	code
				enr	R Y LIU 07/30/02	scale	size	dwg no	TWN
				chr	R Y LIU 07/30/02	1:1	A4	10018783	sheet
				appd	JENN TSAO 07/30/02				6 of
sheet index	revision sheet								

Tous droits strictement reserves. Reproduction ou communication a des tiers interdite sous quelque forme que ce soit sans autorisation ecrite du propriétaire. Propriete de c FCI. Droits de reproduction FCI.

All rights strictly reserved. Reproduction or issue to third parties in any form whatever is not permitted without written authority from the proprietor. Property of FCI. Copyright FCI.



A

B

Tous droits strictement reserves. Reproduction ou communication a des tiers interdite sous quelque forme que ce soit sans autorisation écrite du propriétaire. Propriete de c FCI. Droits de reproduction FCI.



All rights strictly reserved. Reproduction or issue to third parties in any form whatever is not permitted without written authority from the proprietor. Property of FCI. Copyright FCI.

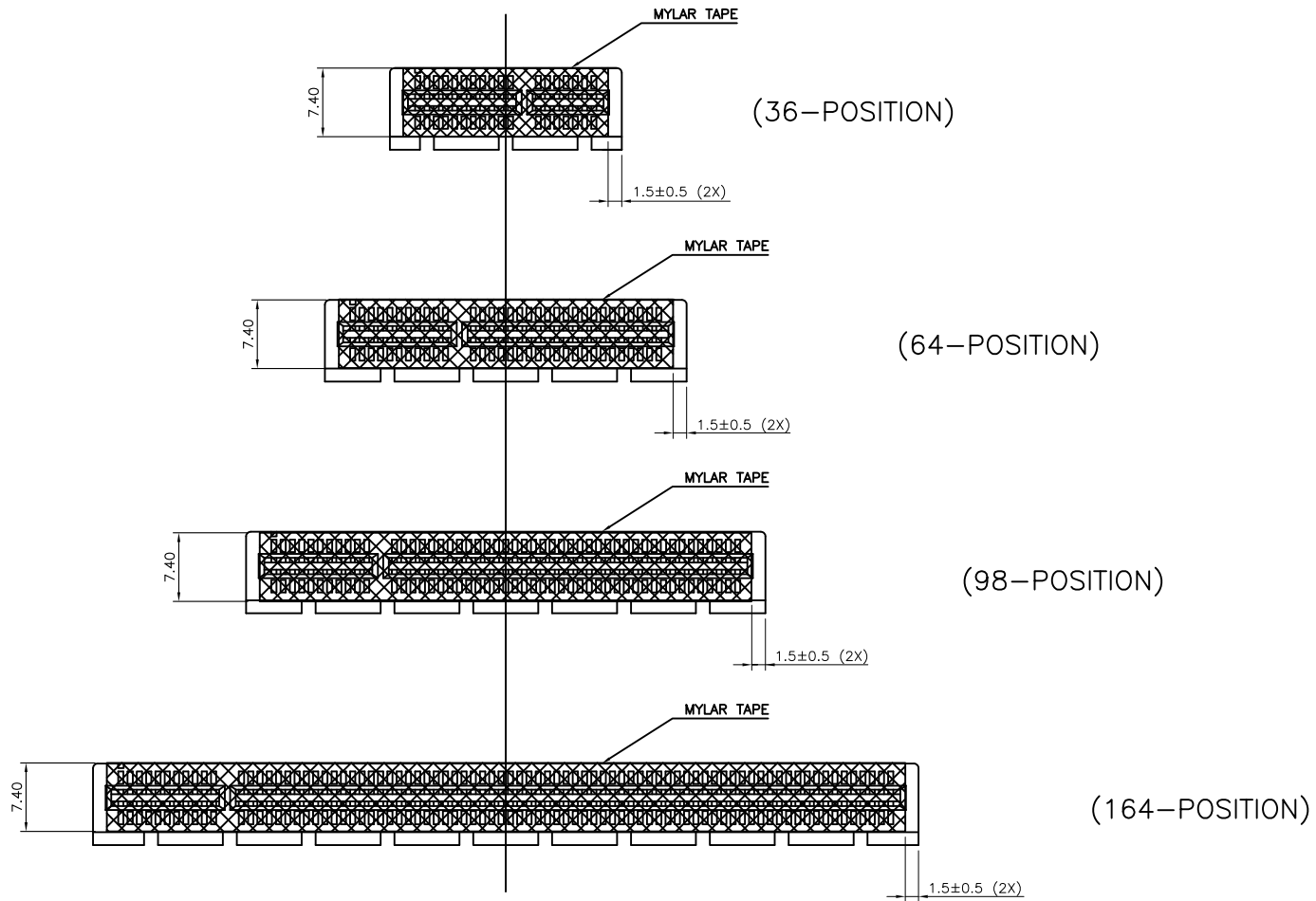


FIGURE 1

mat'l. code				tolerances unless otherwise specified			CUSTOMER COPY		 www.fciconnect.com			
ltr	ecn no	dr	date	linear	.X ± 0.25		projection	title				
U					.XX ± 0.13			PCI EXPRESS CARD EDGE ASS'Y				
					.XXX ± 0.05							
					0° ± 2°							
				angles	dr	MAGGIE WU	06/07/05	product family EDGE CARD code TWN size dwg no sheet 7 of				
					enr	R Y LIU	06/07/05					
					chr	R Y LIU	06/07/05					
					appd	JENN TSAO	06/07/05					
sheet index	revision sheet							scale	1.5:1	A4	10018783	