

# DIAMOND

## Fiber Optic Components

### Specifications:

STANDARD	Multimode	Single mode	Single mode 8° APC	Units	Test conditions
Insertion loss (IL)	typ 0.15 max 0.4	typ 0.2 max 0.4	typ 0.2 max 0.4	dB	IEC 61300-3-4; $\lambda = 1300/1550\text{nm}$
Return loss (RL)	min 35 typ 40	min 45 typ 50	min 70*	dB	IEC 61300-3-6; $\lambda = 1300/1550\text{nm}$
Repeatability of IL	max $\pm 0.1$	max $\pm 0.1$	max $\pm 0.1$	dB	Over service life
Service life	1000 mate/demate cycles				
Operating temperature	-40 / +85			°C	May be further limited by cable specifications
Storage temperature	-40 / +90			°C	
Strain relief (cable)	> 100			N	

\* Measured with high precision reflectometer

**APPLICATIONS:** Telecommunications, CATV, MAN, WAN, LAN, Test & Measurement, Industry, Medical, Sensors

**STANDARDS:**  
**FC/PC:** IEC 874-7, CECC 86 115-801  
**FC/APC:** With all FC/APC connectors with key  $\varnothing 2$  or 2.14 mm

**DESIGN/MATERIALS:**

Fiber alignment: SM: Active Core Alignment via patented two-step crimping process  
 MM: Via patented crimping process

Polish: FC/PC: Convex (PC)  
 FC/APC: 8° angled convex (APC)

Ferrule:  $\varnothing 2.5$  mm, zirconia ceramic with extending copper-nickel alloy insert (Pilzferrule), spring loaded (15 N), anti-rotation keyed

Adaptor: Floating zirconia resilient sleeve in Ni-plated brass housing

External parts: Ni-plated brass and Plastic black

Cable retention: Decoupled from ferrule on cable with  $\varnothing \leq 3.5$  mm

**AVAILABLE AS:**

- Unterminated connector
- Terminated patchcord or pigtail

**FC**  
**ALBERINO-CONNECTOR**  
 HPC-S0.66 Alb SM  
 HPC-M0.66 Alb MM  
 HPC-S8.66 Alb SM/APC  
 HPC-S8.66/X Alb SM/APC



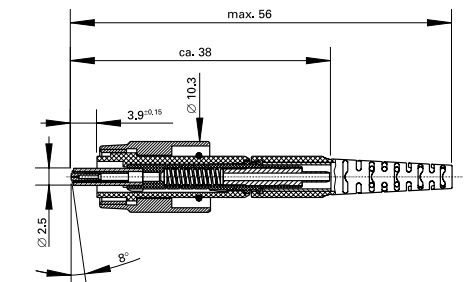
### Order numbers: CONNECTORS

**SINGLE MODE APC CONVEX, key  $\varnothing 2$  mm**

Type designation: **HPC-S8.66/X Alb**  
 Ferrule material: Zirconia/copper-nickel alloy insert (Pilzferrule)  
 External parts: Ni-plated brass / Plastic red  
 Polish geometry: 8° angled convex (APC)

Dimensions Fiber/Cable	Order Number	
	Unterminated connector	Terminated assembly
9/125/900	192 - 000 - 001 L 000	192 - xxx - 001 L xxx
9/125/900/2100	192 - 000 - 002 L 000	192 - xxx - 002 L xxx
9/125/900/2500	192 - 000 - 003 L 000	192 - xxx - 003 L xxx
9/125/900/3000	192 - 000 - 004 L 000	192 - xxx - 004 L xxx
9/125/900/3500	192 - 000 - 005 L 000	192 - xxx - 005 L xxx

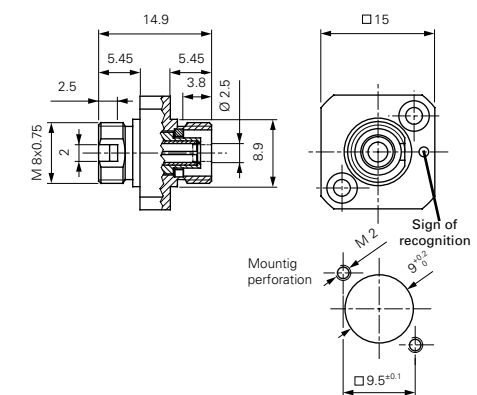
Connectors for other fiber and cable dimensions available upon request



### ADAPTORS

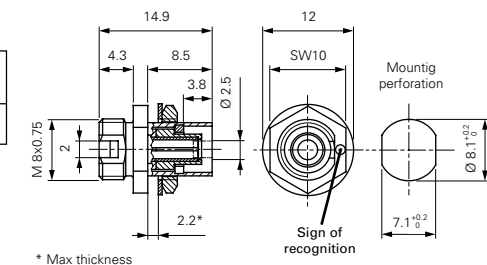
Type designation: **MPC-S8.22/X**

Mating sleeve	Material		Order Number
	External parts		
Zirconia	Ni-plated brass		110 - 301 - 904 V 002



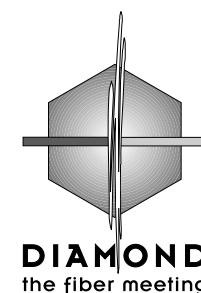
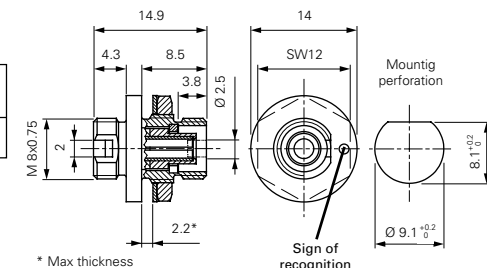
Type designation: **MPC-S8.22/6 Kt. X**

Mating sleeve	Material		Order Number
	External parts		
Zirconia	Ni-plated brass		110 - 301 - 911 V 002



Type designation: **MPC-S8.22/YX**

Mating sleeve	Material		Order Number
	External parts		
Zirconia	Ni-plated brass		110 - 301 - 912 V 002



DIAMOND SA  
 Via dei Patrizi 5  
 CH-6616 LOSONE  
 Tel. ++41-91/785 45 45  
 Fax ++41-91/785 45 00  
 e-mail: info@diamond-fo.com

Specifications subject to change  
 without notice

002-037-202P007022

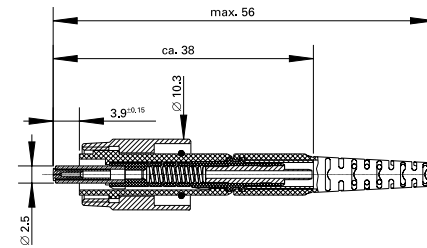
## CONNECTORS

### SINGLE MODE PC CONVEX, Key $\varnothing$ 2,14 mm

Type designation: **HPC-S0.66 Alb**  
 Ferrule material: Zirconia/copper-nickel alloy insert (Pilzferrule)  
 External parts: Ni-plated brass / Plastic black  
 Polish geometry: Convex (PC)

Dimensions Fiber/Cable	Order Number	
	Unterminated connector	Terminated assembly
9/125/900	189 - 000 - 001 L 000	189 - xxx - 001 L xxx
9/125/900/2100	189 - 000 - 002 L 000	189 - xxx - 002 L xxx
9/125/900/2500	189 - 000 - 003 L 000	189 - xxx - 003 L xxx
9/125/900/3000	189 - 000 - 004 L 000	189 - xxx - 004 L xxx
9/125/900/3500	189 - 000 - 005 L 000	189 - xxx - 005 L xxx

Connectors for other fiber and cable dimensions available upon request



### MULTIMODE PC CONVEX, Key $\varnothing$ 2,14 mm

Type designation: **HPC-M0.66 Alb**  
 Ferrule material: Zirconia/copper-nickel alloy insert (Pilzferrule)  
 External parts: Ni-plated brass / Plastic black  
 Polish geometry: Convex (PC)

Dimensions Fiber/Cable	Order Number	
	Unterminated connector	Terminated assembly
50/125/900	190 - 000 - 001 L 000	190 - xxx - 001 L xxx
50/125/900/2100	190 - 000 - 002 L 000	190 - xxx - 002 L xxx
50/125/900/2500	190 - 000 - 003 L 000	190 - xxx - 003 L xxx
50/125/900/3000	190 - 000 - 004 L 000	190 - xxx - 004 L xxx
50/125/900/3500	190 - 000 - 005 L 000	190 - xxx - 005 L xxx

Connectors for other fiber and cable dimensions available upon request

## ADAPTORS

### Type designation: **MPC-S0.22**

Mating sleeve	Material	External parts	Order Number
Zirconia	Ni-plated brass		110 - 301 - 907 V 001

### Type designation: **MPC-M0.22**

Mating sleeve	Material	External parts	Order Number
Zirconia	Ni-plated brass		110 - 301 - 919 V 001

### Type designation: **MPC-S0.22/6 Kt.**

Mating sleeve	Material	External parts	Order Number
Zirconia	Ni-plated brass		110 - 301 - 903 V 001

### Type designation: **MPC-M0.22/6 Kt.**

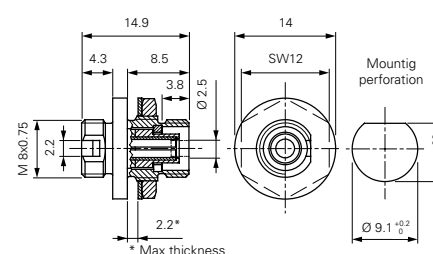
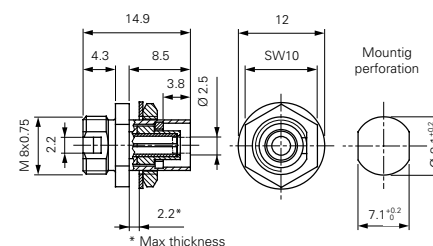
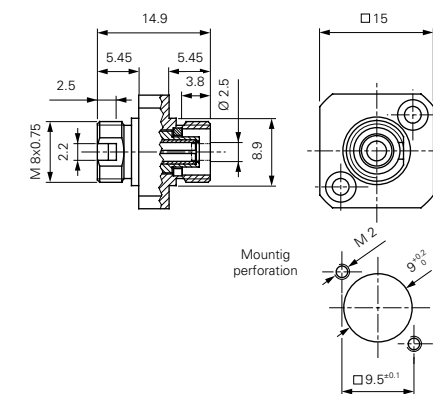
Mating sleeve	Material	External parts	Order Number
Zirconia	Ni-plated brass		110 - 301 - 920 V 001

### Type designation: **MPC-S0.22/Y**

Mating sleeve	Material	External parts	Order Number
Zirconia	Ni-plated brass		110 - 301 - 905 V 001

### Type designation: **MPC-M0.22/Y**

Mating sleeve	Material	External parts	Order Number
Zirconia	Ni-plated brass		110 - 301 - 921 V 001



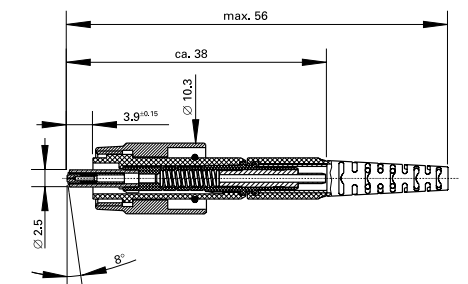
## CONNECTORS

### SINGLE MODE APC CONVEX, Key $\varnothing$ 2.14 mm

Type designation: **HPC-S8.66 Alb**  
 Ferrule material: Zirconia/copper-nickel alloy insert (Pilzferrule)  
 External parts: Ni-plated brass / Plastic black  
 Polish geometry: 8° angled convex (APC)

Dimensions Fiber/Cable	Order Number	
	Unterminated connector	Terminated assembly
9/125/900	191 - 000 - 001 L 000	191 - xxx - 001 L xxx
9/125/900/2100	191 - 000 - 002 L 000	191 - xxx - 002 L xxx
9/125/900/2500	191 - 000 - 003 L 000	191 - xxx - 003 L xxx
9/125/900/3000	191 - 000 - 004 L 000	191 - xxx - 004 L xxx
9/125/900/3500	191 - 000 - 005 L 000	191 - xxx - 005 L xxx

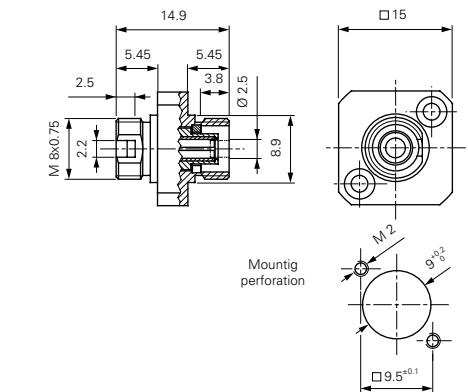
Connectors for other fiber and cable dimensions available upon request



## ADAPTORS

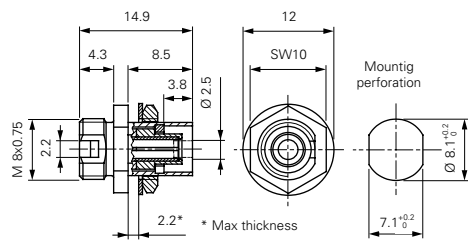
### Type designation: **MPC-S8.22**

Mating sleeve	Material	External parts	Order Number
Zirconia	Ni-plated brass		110 - 301 - 904 V 001



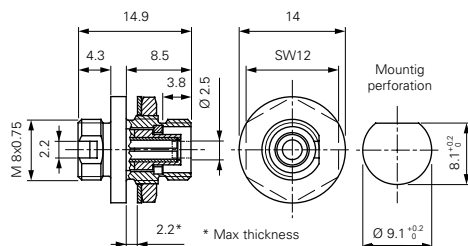
### Type designation: **MPC-S8.22/6 Kt.**

Mating sleeve	Material	External parts	Order Number
Zirconia	Ni-plated brass		110 - 301 - 903 V 002



### Type designation: **MPC-S8.22/Y**

Mating sleeve	Material	External parts	Order Number
Zirconia	Ni-plated brass		110 - 301 - 905 V 002



#### Order Number Codes

- Connector code
- Connector code for termination on other end of assembly
  - For pigtails: insert 000
  - For patch assemblies: insert connector code for other connector
- Code for fiber or cable
- Length in meters

See ordering information for additional details