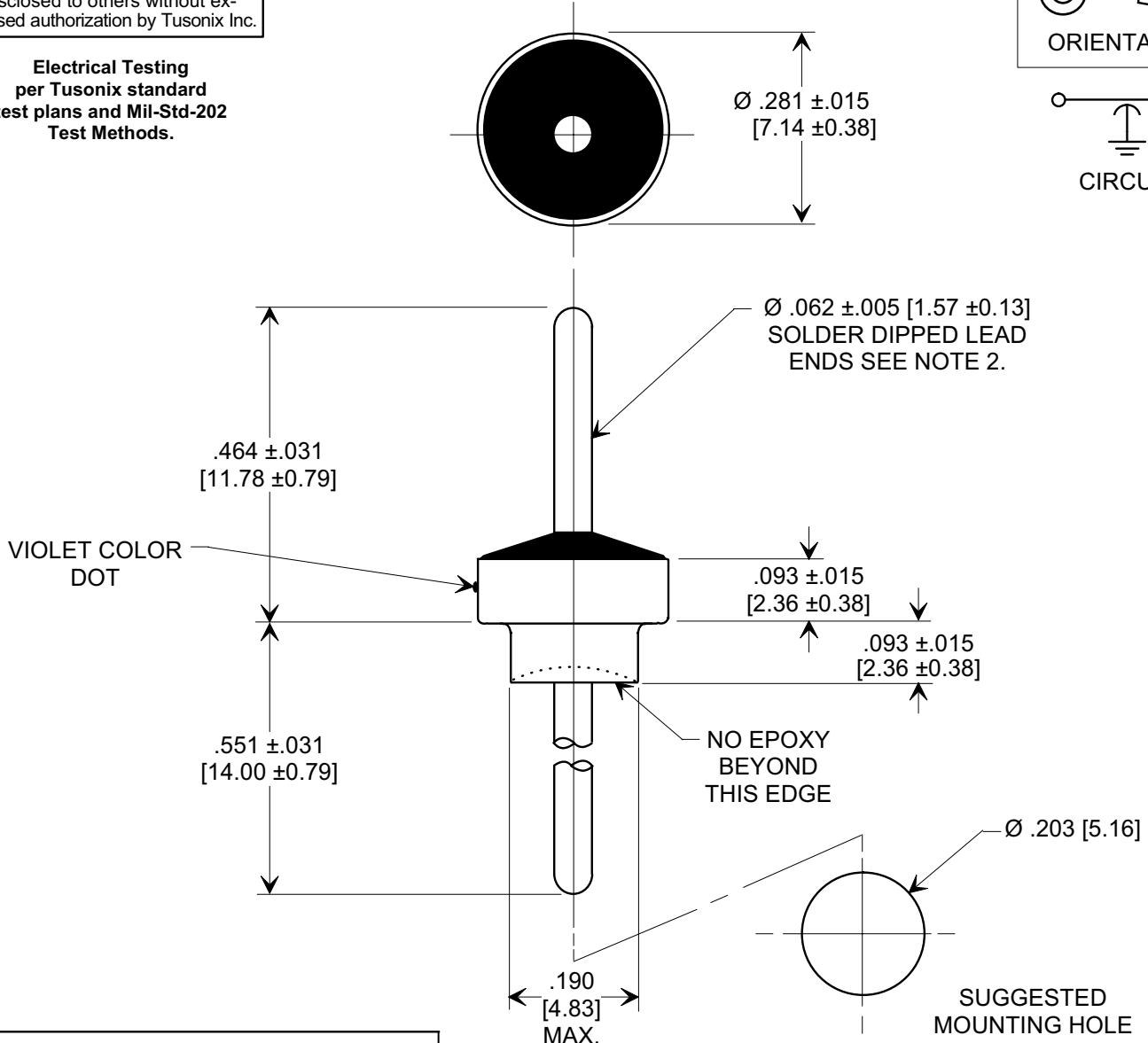
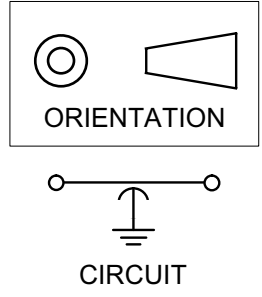


**MARKETING SALES DRAWING**  
**DIMENSIONS IN INCHES - DO NOT SCALE THIS DRAWING**  
**DIMENSIONS IN METRIC - [ ]**

This drawing is the property of Tusonix, Inc., and may not be used, reproduced, published or disclosed to others without expressed authorization by Tusonix Inc.

**Electrical Testing**  
per Tusonix standard  
test plans and Mil-Std-202  
Test Methods.



SPECIFICATIONS	
CAP. VALUE:	470 pF
CAP. TOL.:	±20%
TEMP. CHAR.:	X5R
RATING:	500 VDC @ +85°C
OPERATING RANGE:	-55°C TO +85°C
I.R. MIN. @ 100 VDC:	10 GΩ
DWV:	1250 VDC

**NOTES:**

- TUSONIX STANDARD PART NUMBER: 2450-040-X5R0-471M.  
TUSONIX RoHS COMPLIANT PART NUMBER:  
2450-040-X5R0-471M LF.  
CUSTOMER MUST SPECIFY STANDARD OR RoHS PART NUMBER  
WHEN ORDERING.
- LEAD FINISH: STANDARD: 60/40 SOLDER DIPPED.  
RoHS: 95.5 Sn/Ag 3.8/0.7Cu. SOLDER DIPPED.
- BUSHING FINISH: SILVER PLATED.
- PART MARKING: STANDARD PART: NO MARKING.  
RoHS PART: GREEN INK DOT ON EPOXY.

X-2015 Rev-0

REVISION RECORD			
Original Release	0		
C.O. 19971015-6-01			
REDRAWN TO NEW FORMAT & ADDED EXTENDED P/N.			
S.M. 03-19-04			
20040319-2-01	1		
ADDED & REVISED NOTES.			
S.M. 02-06-06			
2006010-1-11	2		

--TOLERANCES-- Unless Otherwise Specified	Title <b>DISCOIDAL FEED-THRU CAPACITOR</b>	
DECIMAL ± NOTED	Drawn S.M. 03-19-04	Scale 4 X
ANGLES ±	Approved T.C. 03-19-04	
<b>TUSONIX</b> TUCSON, ARIZONA	<b>A</b>	<b>2450-040-X5R0-471M</b>