

| ZONE | REV | SCR NUMBER | DESCRIPTION | BY | DATE | APPROVED |
|------|-----|-------------------|-----------------------|------------|------------|----------|
| ALL | A | MREO-7LKHXY.VERXX | RELEASE TO PRODUCTION | M.RECEPUTO | 12/22/2008 | D.SMITH |

**DOUBLE POLARIZING BACKPLANE MODULE
ASSEMBLY PART NUMBER ASSIGNMENT**
347 - X 3 XX - X X X

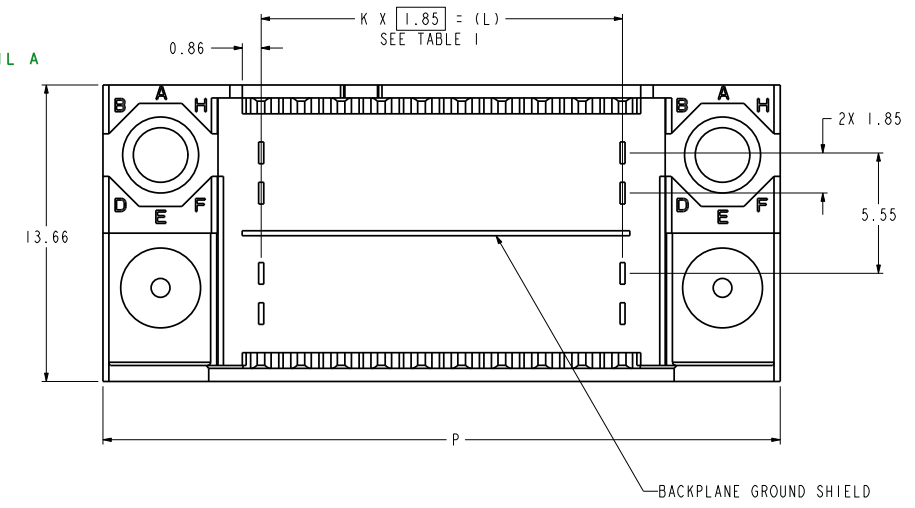
LOAD
5 = STANDARD LOADED
7 = CUSTOM LOADED
8 = CUSTOM LEAD FREE

MINIMUM PIN WIPE LENGTH, SEE DETAIL A
3 = 1.00 mm WIPE
4 = 2.00 mm WIPE
5 = 3.00 mm WIPE

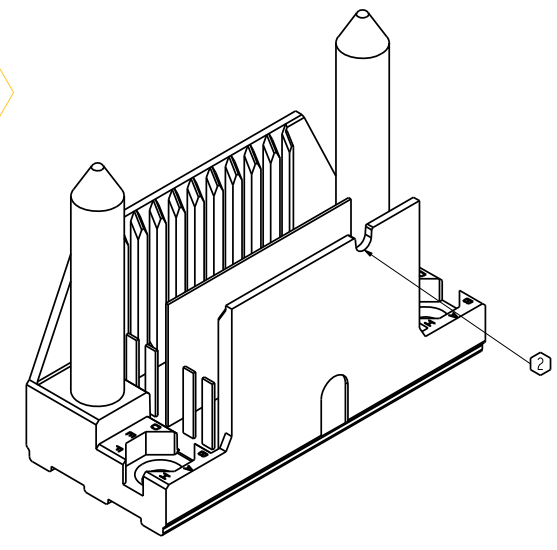
NUMBER OF COLUMNS
05 = 5 COLUMN MODULE (NOT TOOLED)
10 = 10 COLUMN MODULE (NOT TOOLED)
25 = 25 COLUMN MODULE (NOT TOOLED)
45 = 45 COLUMN MODULE (NOT TOOLED)

PLATING CODE ④
0 = 735
1 = 732
2 = 769
3 = 768

POL PIN LOCATION
SEE TABLE II



DRAFT COPY
NOT FOR PRODUCTION USE



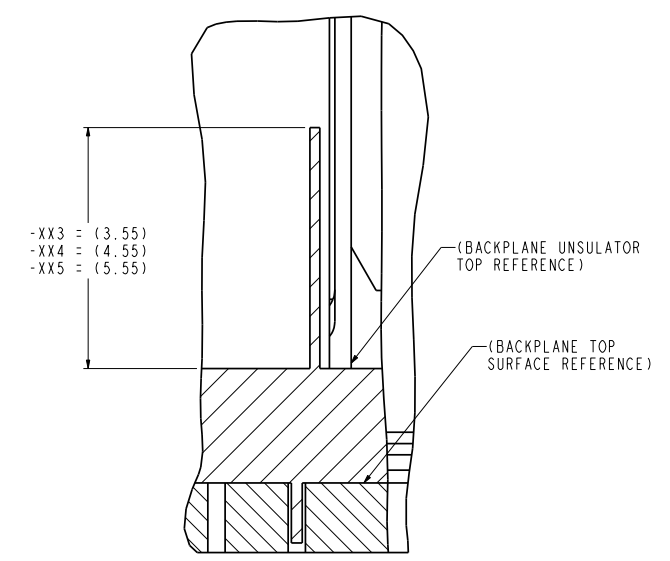
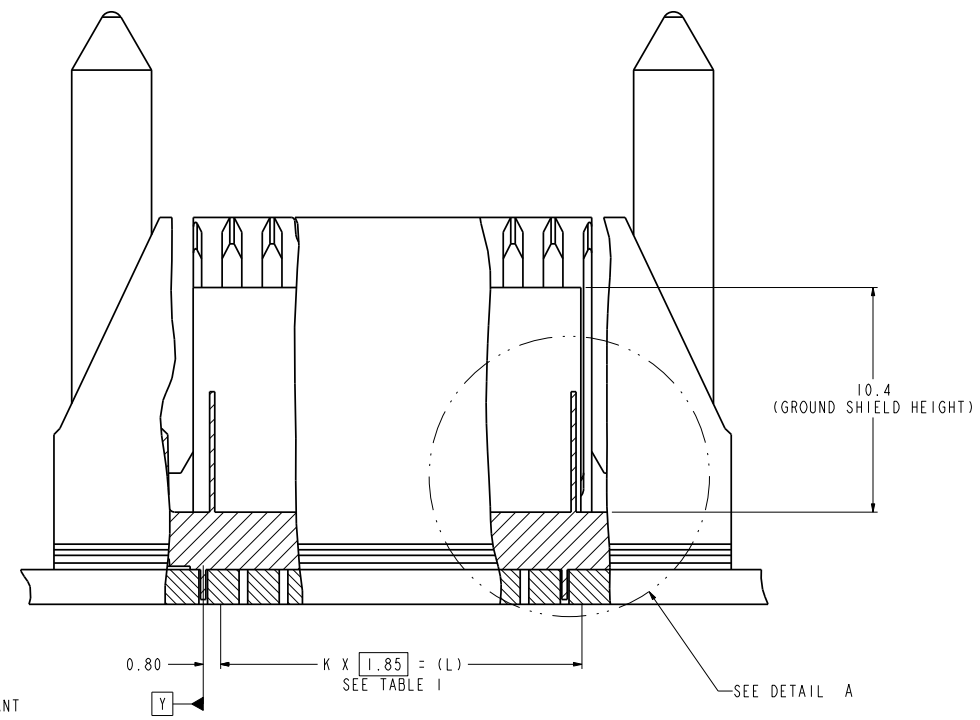
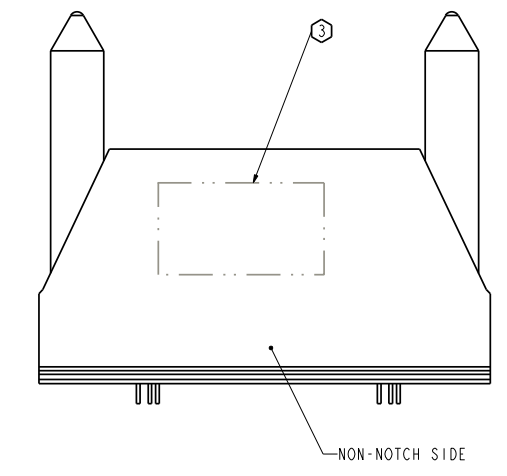
ISO VIEW
SCALE 4/1

TABLE I

| ASSEMBLY PART NUMBER | REV | K | (L) | P | TOTAL NUMBER OF DIFFERENTIAL PAIRS | |
|----------------------|-----|----|---------|-------|------------------------------------|------------|
| 347-5305-OXX | A | 4 | (7.40) | 21.95 | 10 | NOT TOOLED |
| 347-5310-OXX | A | 9 | (16.65) | 31.20 | 20 | NOT TOOLED |
| 347-5325-OXX | A | 24 | (44.40) | 58.95 | 50 | NOT TOOLED |
| 347-5345-OXX | A | 44 | (81.40) | 95.95 | 90 | |

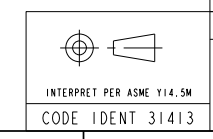
TABLE II

| PART NUMBER 347-53XX-(XXX) | -OXX | -AXX | -BXX | -CXX | -DXX | -EXX | -FXX | -GXX | -HXX |
|----------------------------|------|------|------|------|------|------|------|------|------|
| POLARIZING PIN ORIENTATION | | | | | | | | | |



DETAIL A
SCALE 12/1

- ① IF THE 4TH DIGIT OF THE PART NUMBER IS A 7 OR 8, INDICATING A CUSTOM PART, DIGITS 5 THROUGH 10 ARE NOT SIGNIFICANT AND DO NOT FOLLOW THE PARADIGM IN THE TABLE.
6. USE MATING GAUGE PART NUMBER 699-1085-000 AFTER INSERTION ONTO BOARD TO CHECK POSITION OF BLADES.
5. FOR REPAIR PROCEDURE FOR SIGNAL BLADE, SEE TB-2099.
- ④ PLATING OF SIGNAL CONTACT AND SHIELD CONTACTS IS DETERMINED BY PLATING CODE:
0 = 735 PER EGS-205 (30 MICROINCH GOLD PLATING ON MATING SURFACES).
1 = 732 PER EGS-205 (50 MICROINCH GOLD PLATING ON MATING SURFACES).
2 = 769 PER EGS-205 (30 MICROINCH GOLD PLATING ON MATING SURFACES, LEAD FREE).
3 = 768 PER EGS-205 (50 MICROINCH GOLD PLATING ON MATING SURFACES, LEAD FREE).
- ③ PART MARKING AS FOLLOWS:
LINE 1: "ATCS" AND DATECODE (ATCS YYWW).
LINE 2: MODULE PART NUMBER (###-###-###).
LINE 3: WORK ORDER NUMBER (###-#####), WHERE "*" DENOTES MANUFACTURING LOCATION.
- ② NOTCH DESIGNATES "ROW A" SIDE OF SHROUD. NOTCH FEATURE ON OPPOSITE SIDE FROM PART MARKING.
1. REFER TO TB-2085 FOR GBX PRODUCT SPECIFICATIONS.
- NOTES:



| TOLERANCES | DESIGN 05/20/2008 M. RECEPUTO | Amphenol TCS A Division of Amphenol Corporation 200 Innovative Way, Nashua, NH 03060 603.875.2000 | |
|---|-------------------------------|---|---|
| 0.0 ±0.25 | DRAWN 05/22/2008 M. RECEPUTO | TITLE | BP CONNECTOR ASSY, DOUBLE POLARIZING GBX U-SERIES, 2 PAIR |
| 0.00 ±0.13 | CHK 05/22/2008 J. DUNHAM | PART NO. | SEE TABLE I |
| 0.000 ± - | APVD 05/22/2008 J. DUNHAM | DRAWING NO. | C-347-5310-500 |
| ANGLES ± - | | PROJ ASSEM | 01118-347-5345-500 1.2 |
| UNLESS OTHERWISE SPECIFIED DIMENSIONS ARE IN MM, DECIMAL MAKER IS PERIOD. | | SIZE | D SCALE 4/1 SHEET 1 OF 2 |
| CUSTOMER USE DRAWING | | REV | A |

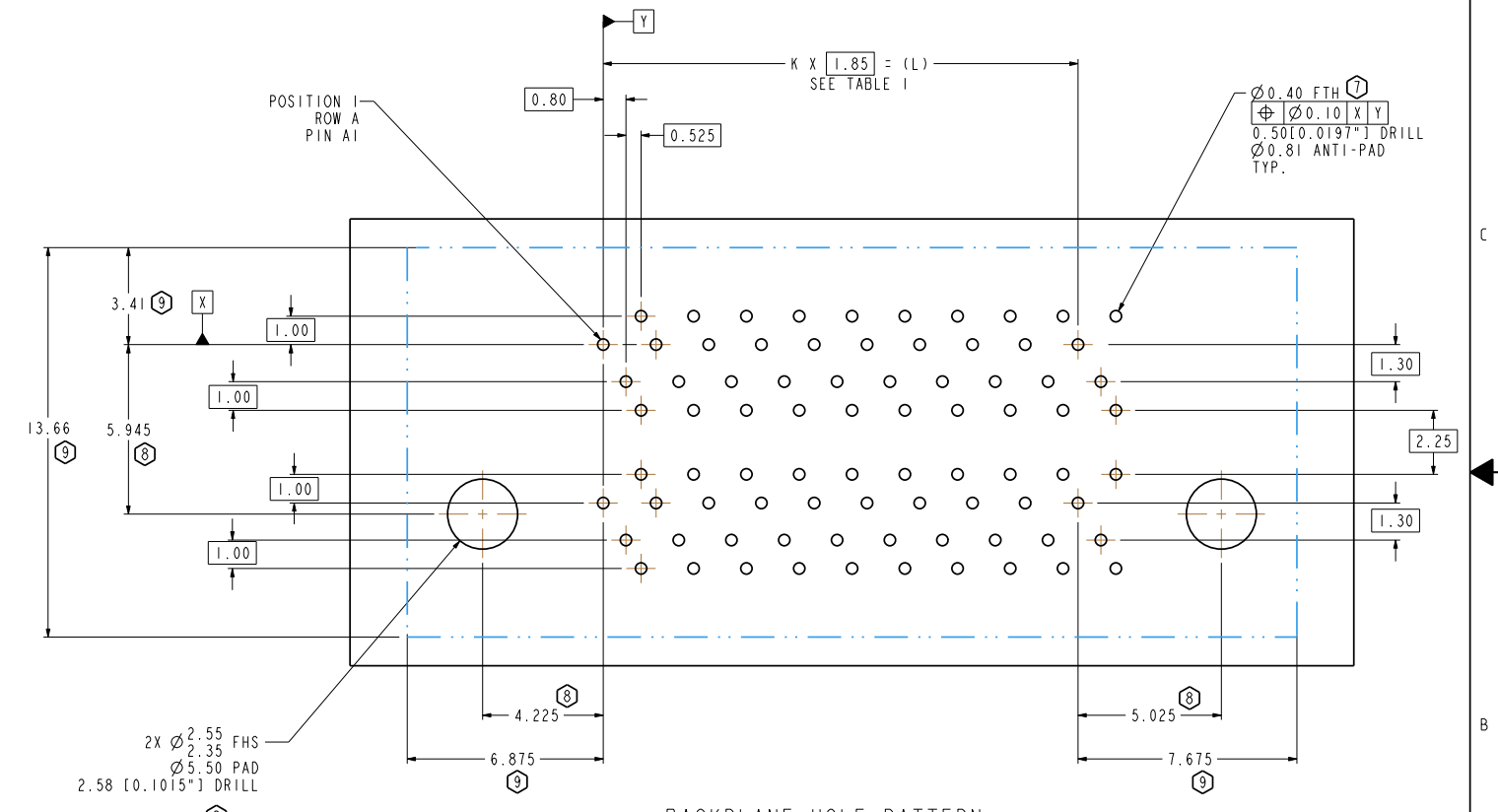
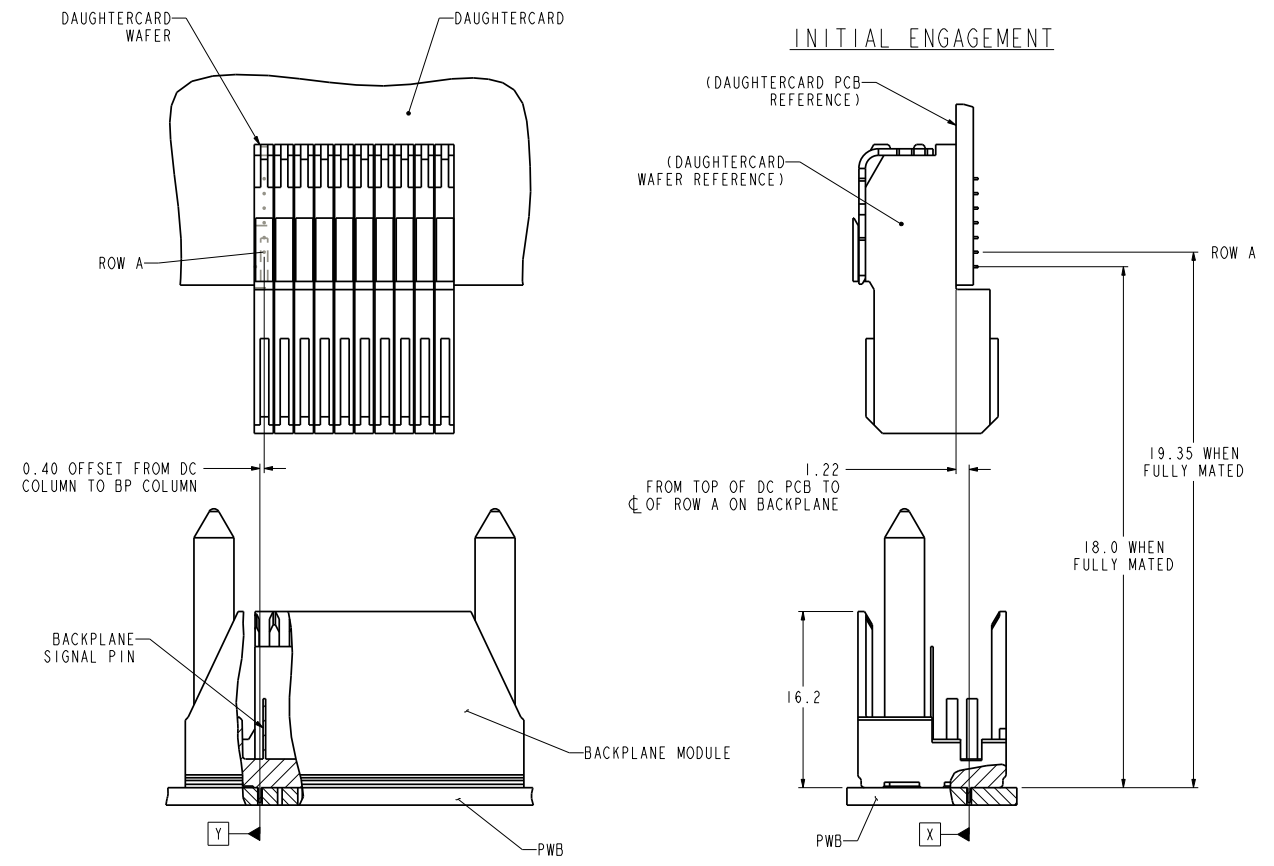
DRW NO. C-347-5310-500

SH I REV A

| | | | | | | |
|------|-----|------------|---------------------------|-----|------|----------|
| ZONE | REV | SCR NUMBER | DESCRIPTION | BY | DATE | APPROVED |
| N/A | N/A | N/A | SEE SHT 1 FOR REV HISTORY | N/A | N/A | N/A |

DRW NO. C-347-5310-500 SH 2 REV A

DRAFT COPY
NOT FOR PRODUCTION USE



GbXe DC WAFER TO GbX-U BP SHROUD

- NOTES:
- (9) SEE DOCUMENT 190-0006-000 FOR KEEPOUT ZONES.
 - (8) OPTIONAL HOLE LOCATION FOR GROUNDED PIN OR ADDITIONAL GUIDE PIN SUPPORT. FOR DC BOARD WEIGHT > 8 LBS., REFER TO TB-2104 FOR PROPER GUIDE PIN SIZING.
 - (7) STATED PAD SIZE MAY REQUIRE FILLETING. FOR DETAILED ROUTING GUIDELINES, SEE TB-2090.

| | | |
|---|-------------------|--|
| TOLERANCES | DESIGN 05/20/2008 | Amphenol TCS A Division of Amphenol Corporation 200 Innovative Way, Nashua, NH 03060 603.875.2000 |
| | M. RECEPUTO | |
| 0.0 ±0.25 | DRAWN 05/22/2008 | TITLE BP CONNECTOR ASSY, DOUBLE POLARIZING GBX U-SERIES, 2 PAIR |
| 0.00 ±0.13 | M. RECEPUTO | |
| 0.000 ± - | CHK 05/22/2008 | PART NO. SEE TABLE I REV DRAWING NO. C-347-5310-500 ProE ASSEM 01118-347-5345-500 01118-347-5310-DBL-POL-SHRD .drw |
| ANGLES ± - | J. DUNHAM | |
| UNLESS OTHERWISE SPECIFIED DIMENSIONS ARE IN MM, DECIMAL MAKER IS PERIOD. | | PART NO. SEE TABLE I REV DRAWING NO. C-347-5310-500 ProE ASSEM 01118-347-5345-500 01118-347-5310-DBL-POL-SHRD .drw |
| CUSTOMER USE DRAWING | | |
| SIZE D | SCALE 4/1 | SHEET 2 OF 2 |

INTERPRET PER ASME Y14.5M
CODE IDENT 31413

DRW NO. C-347-5310-500 SH 2 REV A