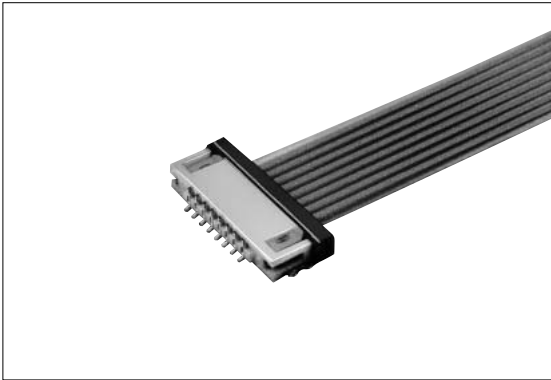
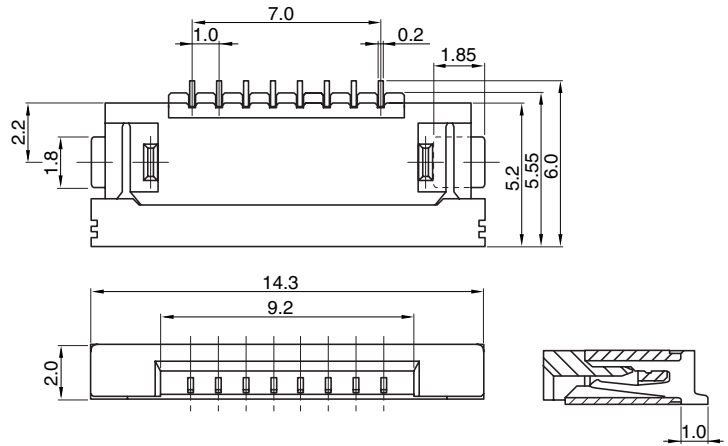


## FPC Connector

# CIC Type (H=2.0mm) 1.0mm Spacing (SMT)



### ● CFP3508-0101F



### ■ Features

1. FPC connector usable with CIC (Carbon in Circuit) printing.
2. Low profile of only 2.0mm when mounted PC board.
3. Of the ZIF structure.
4. Supplied in emboss-tape packaging for automatic mounting.
5. A lead-free product.

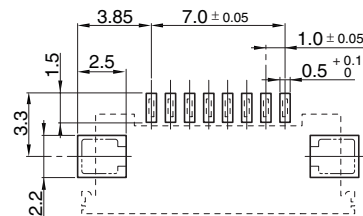
### ■ Specifications

1. Rating : 0.5A, 100V AC/DC
2. Contact Resistance : 30mΩ, max.
3. Insulation Resistance : 500MΩ, min. at 500V DC
4. Withstanding Voltage : 500V AC for one minute
5. Operating Temperature Range : -25°C to +70°C

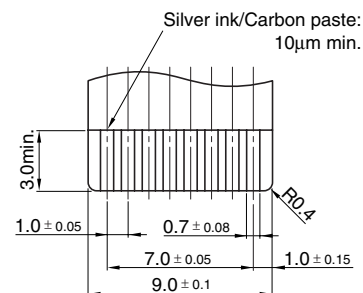
### ■ Material and Plating

- Housing : Polyphenylene Sulfide (PPS), Natural Color, 94V-0
- Cover : Polyphenylene Sulfide (PPS), Natural Color, 94V-0
- Contact : Phosphor Bronze, Sn Plating
- Frame : Phosphor Bronze, Sn Cu Plating

### ■ P.C. Board Dimension



### ■ Applicable FPC Dimension (t=0.3±0.05)



- FPC plating to recommend : Sn plating